



This manual contains important warnings and information.
READ AND KEEP FOR REFERENCE.

INSTRUCTIONS

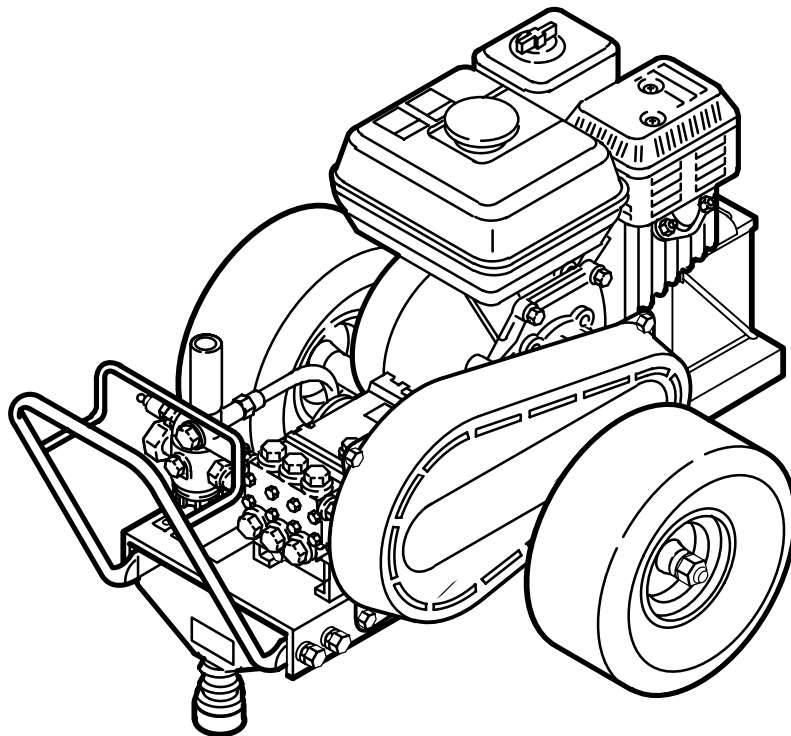
First choice when quality counts.™

3540 Belt-Drive Pressure Washer

Model 800636, Series C

3500 psi (24 MPa, 241 bar) Operating Pressure

3900 psi (27 MPa, 269 bar) Maximum Working Pressure



GRACO INC. P.O. BOX 1441 MINNEAPOLIS, MN 55440-1441

©COPYRIGHT 1991, GRACO INC.

Graco Inc. is registered to I.S. EN ISO 9001

Table of Contents

Warnings	2
Setup	4
Operation	5
Troubleshooting	9
Pump Service	11
Technical Data	13
Parts	
Pressure Washer	15
Pump	17
Warranty	20

Warning Symbol

 **WARNING**

This symbol alerts you to the possibility of serious injury or death if you do not follow instructions.

Caution Symbol

 **CAUTION**

This symbol alerts you to the possibility of damage to or destruction of equipment if you do not follow instructions.

WARNING



INJECTION HAZARD

Spray from the gun, leaks or ruptured components can inject fluid into your body and cause serious injury. Fluid splashed in the eyes or on the skin can also cause serious injury.

- Fluid injected into the skin may look like just a cut, but it is a serious injury. **Get emergency medical attention.**
- Do not point the gun at anyone or at any part of the body.
- Do not stop or deflect leaks with hand, body, glove, or rag.
- Do not put your hand or fingers over the spray tip.
- Tighten fluid connections before you start this equipment.
- Engage the gun trigger safety when you stop spraying.
- Follow **Pressure Relief Procedure** on page 5 if the spray tip clogs and before you clean, check, or service this equipment.
- Repair or replace worn or damaged parts immediately.
- Check hoses, tubes, and couplings daily. Do not repair high-pressure couplings; you must replace the entire hose. Fluid hoses must have spring guards on both ends to prevent kinks and rupture.

WARNING



MOVING PARTS HAZARD

Moving parts, such as the drive belt, can pinch or amputate fingers.

- Keep clear of moving parts when you start or operate this equipment.
- Do not operate the pressure washer without all guards and interlocks installed and functioning.



HAZARDOUS FLUIDS

Improper handling of hazardous fluids can cause serious injury or death from splashing in the eyes, ingestion, or bodily contamination.

- Know the specific hazards of the fluid being used.
- Store hazardous fluids in approved containers. Dispose of hazardous fluids per local, state, and national guidelines.
- Wear protective eye wear, gloves, clothing, and respirator as recommended by the fluid and solvent manufacturer.



FUEL HAZARD

The fuel used in this pressure washer is combustible. When spilled on a hot surface, it can ignite and cause a fire.

Do not fill the fuel tank while the engine is running or hot.



EXHAUST HAZARD

The exhaust contains poisonous carbon monoxide, which is colorless and odorless.

Do not operate this equipment in a closed building.

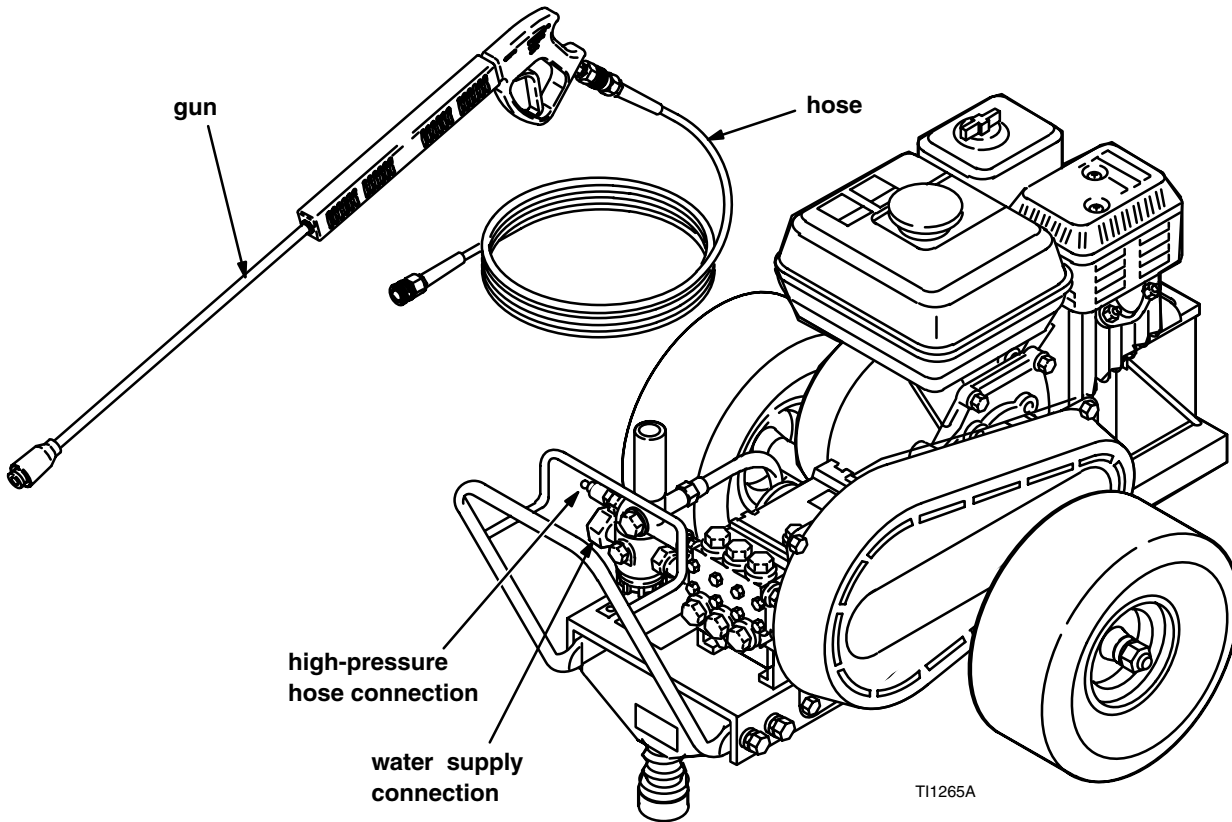


EQUIPMENT MISUSE HAZARD

Misuse of the pressure washer or accessories may cause them to rupture and result in fluid injection, splashing in the eyes or on the skin, or other serious injury.

- Do not alter or modify any part or factory-set adjustment of this equipment.
- Do not exceed the maximum working pressure of any component or accessory in the system.
- Do not use any chemicals that are incompatible with the wetted parts as stated in the **Technical Data** on page 13.
- Do not alter the throttle setting.

Setup



Check for Shipping Damage

Check the unit for any damage that may have occurred in shipping. **Notify the carrier immediately** if there is any damage.

Unit Preparation

Charge the battery. Be sure the battery connections are correct and secure. Connect the fuel line to the engine using the quick coupler provided. Squeeze the priming bulb 3 to 5 times. If you are using a downstream chemical injector, install it between the pump unloader and the high pressure hose, using the quick couplers provided.

Connect the high pressure hose between the pump outlet and the gun inlet. Both of these connections are made with quick couplers.

⚠ CAUTION

Up to 100 ft (30 m) of high pressure hose may be used. Longer hoses may affect sprayer performance, and chemical injector performance, if used.

Install the appropriate spray tip on the wand. See Installing and Changing Spray Tips. If you are using a sandblaster kit, see its separate manual for installation instructions.

Connect to Water Supply

⚠ CAUTION

Before attaching to the water supply, check your local plumbing code regarding cross connection to the water supply. A backflow preventer, 801133, is available to prevent backflow of contaminated water into the fresh water supply. Install it upstream from the pump.

If inlet water pressure is over 60 psi (4.1 bar) a regulating water valve, 800258, must be installed at the garden hose connection.

Do not exceed 160°F (70°C) inlet water temperature.

Connect a hose with at least a 3/4 inch (19 mm) ID from the water supply to the unit's 3/4 inch garden hose inlet. The supply hose should not be more than 50 ft (15 m) long.

NOTE: The water source at the unit *must* have a minimum flow rate equal to that of the unit (see Technical Data on page 13).

Operation

Pressure Relief Procedure

WARNING



INJECTION HAZARD

System pressure must be manually relieved to prevent system from starting or spraying accidentally. Fluid under high pressure can be injected through skin and cause serious injury. To reduce risk of injury from injection, splashing fluid, or moving parts, follow **Pressure Relief Procedure** whenever you:

- are instructed to relieve pressure,
- stop spraying for more than 10 minutes,
- check or service system equipment,
- install or clean spray nozzle.

1. Engage trigger safety latch.
2. Turn sprayer off.
3. Remove ignition cable from spark plug.
4. Remove siphon tube from water supply.
5. Disengage trigger safety latch and trigger gun to relieve pressure. Engage trigger safety latch.
6. *If spray tip or hose is completely clogged, or pressure has not been fully relieved after following steps above:* Disengage trigger safety latch and trigger gun to relieve pressure. Wrap rag around hose end coupling and VERY SLOWLY loosen hose end coupling to relieve pressure gradually, then loosen completely. Now clear tip or hose.

Startup

Always use this startup procedure to ensure that the pressure washer is started safely and properly.

1. Check oil levels.

Engine: Add SAE 30 or 10W-30 weight detergent oil as necessary.

Pump: Add SAE 20 or 30 weight non-detergent oil as necessary.

NOTE: This pressure washer is equipped with a low-oil sensor that shuts the engine off if the oil level falls below a certain level. If the unit stops unexpectedly, check both the oil and the fuel levels. Check the oil level each time the unit is refueled.

2. Check fuel level.

WARNING



FIRE HAZARD

Do not refuel a hot engine. Refueling a hot engine could cause a fire. Use only fresh, clean regular or unleaded gasoline. Close fuel shutoff valve during refueling.

CAUTION

Never run unit dry. Costly damage to pump will result. Always be sure water supply is sufficient before operating.

3. Turn on water supply.
4. Trigger gun until water sprays from tip, indicating that air is purged from system.
5. Open fuel shutoff valve. Be sure spark plug ignition cables are pushed firmly onto spark plugs. Put ignition shutoff switch in "on" position and throttle in "run" position.

Operation

⚠ CAUTION

Do not allow pressure washer to idle more than 10 minutes. Doing so may cause recirculating water to overheat and seriously damage pump. Turn off pressure washer if not spraying or cleaning at least every 10 minutes. If heated inlet water is used, reduce time further. Do not operate pressure washer with inlet water screen removed. Keep screen clean. Screen keeps abrasive sediment out of pump. Abrasive sediment can clog pump or damage cylinders. Do not pump caustic materials; such materials may corrode pump components.

⚠ CAUTION

Do not allow starter rope to snap back against engine. Return carefully to prevent damage to recoil.

Water Sandblasting

Water Sandblasting Kit 244766 is available for abrasive cleaning of stubborn dirt and paint. The kit requires sandblasting tip 805317, which is sold separately.

Trigger Safety Latch

⚠ WARNING

To reduce risk of serious bodily injury, including fluid injection, splashing in eyes or on skin, always engage trigger safety latch when spraying is stopped, even for a moment. In engaged position, trigger safety latch prevents gun from being triggered accidentally by hand or if dropped or bumped. Be sure to push down latch fully to engage it. If latch not fully engaged, gun can accidentally trigger. See Figure 2.

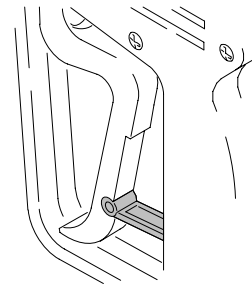
6. Start engine.

NOTE: For easier starting, have one person start the pressure washer while another person triggers the spray gun.

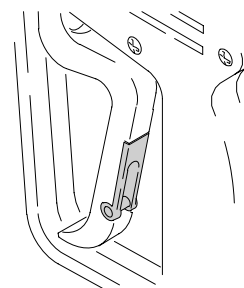
If the engine is cold, completely close the engine choke. Press the start button. In cool weather, the choke may have to be kept closed for 10 to 30 seconds before opening it to keep the engine running. Otherwise, open the choke as soon as the engine starts.

If the engine is warm, leave the choke open or partially closed. Start the engine as described in the preceding paragraph. When the engine starts, be sure to open the choke completely.

7. **ALWAYS** engage gun's trigger safety latch whenever you stop spraying, even for a moment, to reduce risk of fluid injection or splashing in eyes or on skin if gun is bumped or triggered accidentally.
8. **ALWAYS** observe following **CAUTIONS** to avoid costly damage to pressure washer.
9. See chemical injector or sandblaster kit manual for detailed cleaning information if these accessories are used.



Trigger safety latch shown engaged



0412B

Trigger safety latch shown disengaged

Figure 2

Operation

Installing and Changing Spray Tips

⚠ WARNING

To reduce risk of serious bodily injury, including fluid injection or splashing in eyes or onto skin, use extreme caution when changing spray tips. Always follow procedure below.

1. Follow **Pressure Relief Procedure** on page 5.
2. Point gun and wand away from yourself and anyone else.
3. Without holding your hand over spray tip (A), pull back quick coupler ring (B). Remove old tip and/or install a new one, and then release ring. See Figure 3.
4. Be sure tip is secure before starting to spray again.
5. Tip holding holes are provided on chassis.

⚠ CAUTION

O-ring may be blown out of quick coupler (B) due to high pressure in system. Never operate pressure washer without tip (A) securely mounted in quick coupler.

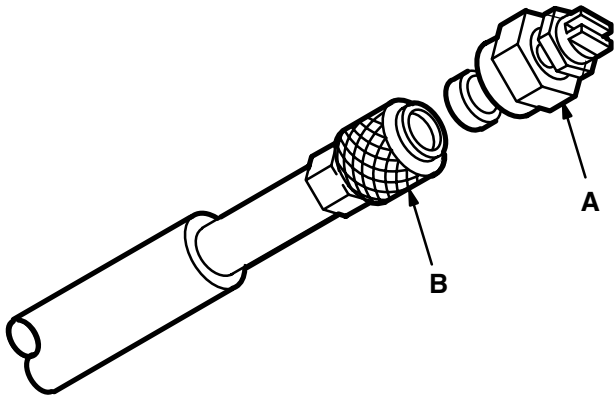


Figure 3

Shutdown, Flushing, and Storage

1. If pressure washer will be exposed to freezing temperatures, drain all water out of pump. If it must be stored in freezing temperatures, flush unit with a 50% anti-freeze solution. Relieve pressure. Flush pressure washer before using it again to remove anti-freeze.

⚠ CAUTION

If water freezes in pressure washer, thaw in warm room before trying to start it. Do not pour hot water on or into pump. Hot water may crack ceramic plungers!

2. After each use, wipe all surfaces of pressure washer with a clean, damp cloth.
3. Perform appropriate maintenance. See maintenance chart on page 8.

Operation

Maintenance

Observing regular maintenance intervals helps ensure that you get maximum performance and life from the pressure washer.

There is a break-in period for the engine and pump. After changing the oil in these components following their respective break-in periods, the interval between required changes is longer.

If the unit is operating in dusty conditions, these maintenance checks should be made more often.

WARNING

To reduce risk of serious bodily injury, including fluid injection, splashing in eyes or on skin or injury from moving parts, always follow **Pressure Relief Procedure** on page 5 before proceeding.

Interval	What to do
Daily	Clean water inlet screen and filter. Check engine and pump oil levels. Fill as necessary. Check gasoline level. Fill as necessary.
After first 5 hours of operation	Change engine break-in oil. Drain oil when warm. Use SAE 30 or 10W-30 detergent oil.
Each 25 hours of operation	Clean and remove air cleaner foam. Wash with water and detergent. Dry thoroughly. Rub with oil and squeeze to distribute oil.
After first 50 hours of operation	Change pump break-in oil. Use SAE 20 or 30 non-detergent oil.
Each 100 hours of operation or 3 months	Clean or replace paper air cleaner cartridge. Tap gently to remove dirt. Change engine oil. Use SAE 30 or 10W-30 detergent oil.
Each 500 hours of operation or 6 months	Change pump oil. Use SAE 20 or 30 non-detergent oil.

Troubleshooting

WARNING

To reduce risk of serious injury, including fluid injection and splashing in eyes, or on skin, always follow **Pressure Relief Procedure** on page 5 before proceeding.

Problem	Cause	Solution
Engine will not start or is hard to start	<p>No gasoline in fuel tank or carburetor.</p> <p>Low oil.</p> <p>Start/Stop switch in Stop position.</p> <p>Water in gasoline or old fuel.</p> <p>Loose or wrong battery connection.</p> <p>Battery not properly charged.</p> <p>Choked improperly. Flooded engine.</p> <p>Dirty air cleaner filter.</p> <p>Spark plug dirty, wrong gap or wrong type.</p> <p>Spray gun closed.</p>	<p>Fill tank with gasoline, open fuel shut off valve. Check fuel line and carburetor.</p> <p>Add to proper level.</p> <p>Move switch to start position.</p> <p>Drain fuel tank and carburetor. Use new fuel and dry spark plug.</p> <p>Check and tighten battery connections.</p> <p>Check electrolyte level of cells, recharge battery.</p> <p>Open choke and pull engine several times to clear out gas. Use dry spark plug.</p> <p>Remove and clean.</p> <p>Clean, adjust gap or replace.</p> <p>Trigger spray gun while spraying.</p>
Engine misses or lacks power	<p>Partially plugged air cleaner filter.</p> <p>Spark plug dirty, wrong gap or wrong plug type.</p>	<p>Remove and clean.</p> <p>Clean and adjust spark plug gap or replace.</p>
Low pressure and/or pump runs rough	<p>Worn or wrong size tip.</p> <p>Inlet filter clogged.</p> <p>Worn packings, abrasives in water or natural wear.</p> <p>Inadequate water supply.</p> <p>Fouled or dirty inlet or discharge valves.</p> <p>Restricted inlet.</p> <p>Worn inlet or discharge valves.</p> <p>Leaking high pressure hose.</p>	<p>Replace with tip of proper size.</p> <p>Clean. Check more frequently.</p> <p>Check filter. Replace packings. See PUMP SERVICE, page 11.</p> <p>Check water flow rate to pump.</p> <p>Clean inlet and discharge valve assemblies. Check filter.</p> <p>Check garden hose, may be collapsed or kinked.</p> <p>Replace worn valves. See PUMP SERVICE, page 11.</p> <p>Replace high pressure hose.</p>
Water leakage from under pump manifold	<p>Worn packings.</p>	<p>Install new packings. See PUMP SERVICE, page 11..</p>
Water on oil side of pump	<p>Humid air condensing inside crankcase.</p> <p>Worn packings.</p> <p>Oil seals leaking.</p>	<p>Change oil as specified in Maintenance, page 11.</p> <p>Install new packings. See PUMP SERVICE, page 11.</p> <p>Install new oil seals. See PUMP SERVICE, page 11.</p>

Troubleshooting

Problem	Cause	Solution
Frequent or premature failure of packings	<p>Scored, damaged or worn plungers.</p> <p>Abrasive material in fluid being pumped. Inlet water temperature too high.</p> <p>Overpressurizing pump.</p> <p>Excessive pressure due to partially plugged or damaged tip. Pump running too long without spraying.</p> <p>Running pump dry.</p>	<p>Install new plungers. See PUMP SERVICE, page 11.</p> <p>Install proper filtration on pump inlet plumbing. Check water temperature; may not exceed 160°F(70°C).</p> <p>Do not modify any factory set adjustments. See EQUIPMENT MISUSE HAZARD on page 3. Clean or replace tip. See Installing and Changing Spray Tips on page 7.</p> <p>Never run pump more than 10 minutes without spraying.</p> <p>Do not run pump without water.</p>
Strong surging at inlet and low pressure on discharge side	Foreign particles in inlet or discharge valve or worn inlet and/or discharge valves.	Clean or replace valves. See PUMP SERVICE, page 11.

Pump Service

WARNING

To reduce risk of serious bodily injury, including fluid injection, splashing in eyes or on skin or injury from moving parts, always follow **Pressure Relief Procedure** on page 5 before proceeding.

NOTE: The following metric wrenches are needed: 5 mm, 13 mm and 22 mm. Repair kits are available. Refer to individual repair sections and pump parts page for details. For best results, use all parts in kits.

NOTE: There are two different tool kits to aid in servicing the pump. 800298 is used to ease installation of packings. 800271 includes the items in 800298 and tools to aid in the removal of packing retainers.

Valves

NOTE: For a set of six valves, order 801472.

1. Remove hex plug from manifold using an 22 mm wrench.
2. Examine o-ring under hex plug and replace if cut or distorted.
3. Remove valve assembly from cavity; assembly may come apart.
4. Install new valve. Install o-ring and hex plug; torque to 75 ft-lb (103 Nm).

NOTE: Retorque plug after 5 hours of operation.

Pumping Section

1. Remove eight capscrews and lockwashers from manifold using an 13 mm wrench.

2. Carefully separate manifold from crankcase.

NOTE: It may be necessary to tap manifold lightly with a soft mallet to loosen.

CAUTION

Keep manifold properly aligned with ceramic plungers when removing to avoid damage to plunger or seals.

3. Carefully examine each plunger for any scoring or cracking and replace as necessary.

Servicing Plungers

NOTE: Plunger repair kit, 801474 or 803510 is available to replace retainers, o-rings, washers and backup rings for three cylinders.

1. Loosen plunger retaining screw five to six turns, using an 5 mm wrench. Push plunger towards crankcase to separate plunger and retaining screw.
2. Remove screw from plunger and examine o-ring, backup ring and copper bearing/gasket washer. Replace these parts, if necessary, using kit 801474 or 803510.
3. Remove plunger and flinger from plunger shaft. Clean, examine and replace parts as necessary.
4. Inspect plunger shaft for oil leakage from crankcase. If leaking is obvious, replace oil seals. Otherwise, DO NOT remove these seals as they cannot be reused. An oil seal kit is available to replace seals.
5. Lightly grease flinger and oil seal, if it is being replaced and replace them on plunger shaft. Then install plunger.

Pump Service

6. Lightly grease retaining screw and outer end of plunger. Place washer, o-ring and backup ring around screw and install screw through plunger. Torque to 14.4 ft-lb (19.5 Nm).

NOTE: If you plan to replace the packings, refer to Servicing the V-Packings.

7. Lubricate outside of each plunger. Slide manifold onto crankcase, being careful not to damage seals.
8. Install capscrews and washers finger-tight. Torque screws to 21.7 ft-lb (29 Nm) following the tightening pattern in Fig. 4. Uneven tightening may cause manifold to bind or jam.

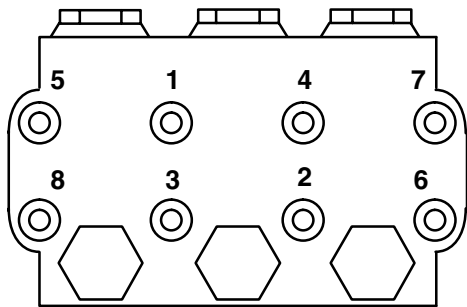


Figure 4

Servicing V-Packings

NOTE: There are two types of packing kits: one is packings only, the other includes the packings, rings and retainers.

1. Remove manifold as outlined in Pumping Section.

2. Carefully pull packing retainer from manifold. Examine o-ring and replace it if it is cut or damaged.

3. Remove v-packing and head ring. Pull out intermediate retainer ring. Remove second v-packing and second head ring.

4. Inspect all parts and replace as necessary.

5. Thoroughly clean packing cavities and examine for debris and damage.

6. Lightly grease packing cavities and then replace packings in following order:
head ring,
v-packing,
intermediate ring,
head ring,
v-packing and packing retainer with o-ring installed in retainer groove.

CAUTION

Install parts in proper order and facing correct direction. Improperly installed parts will cause a malfunction.

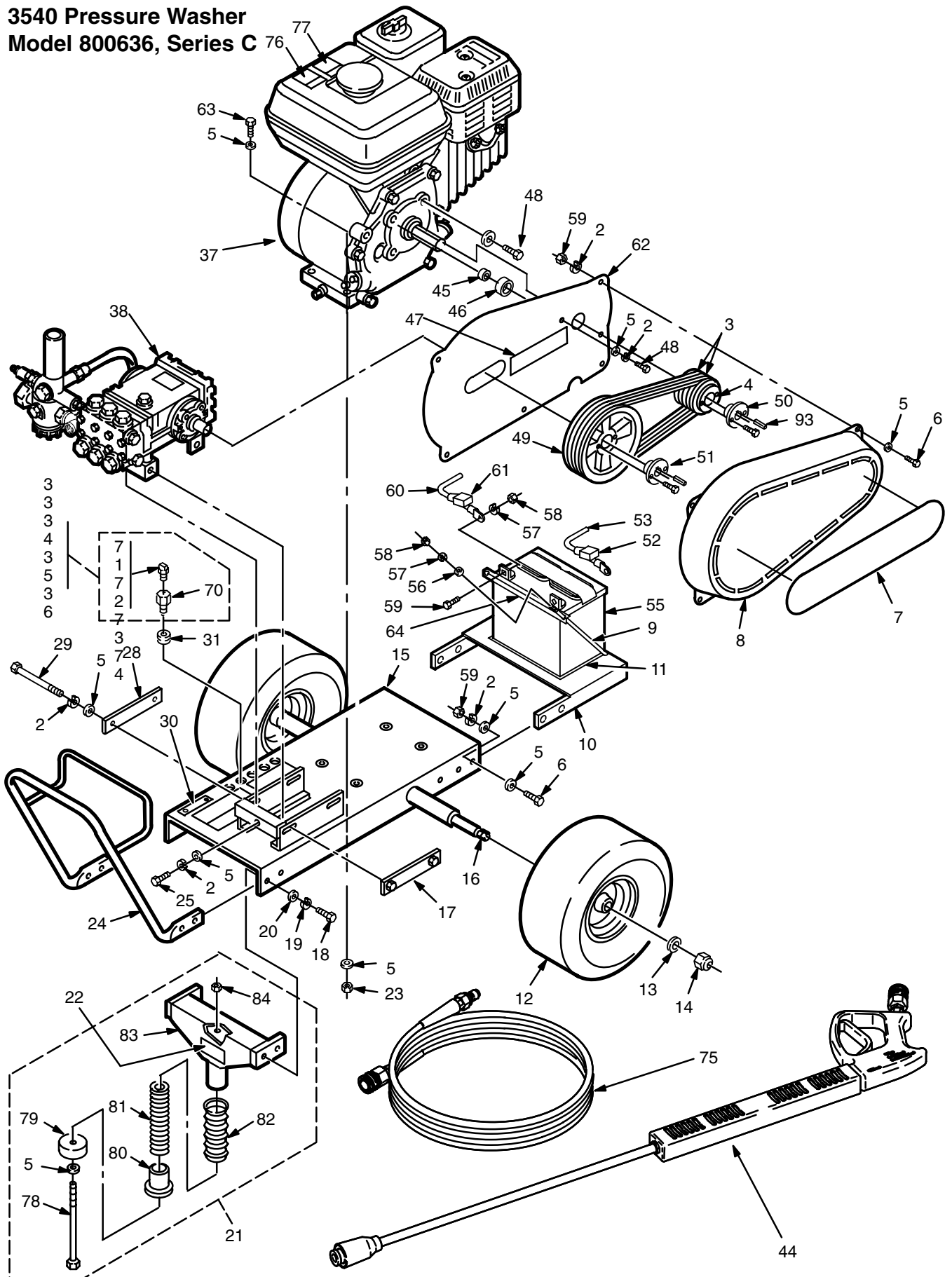
7. Reassemble manifold as instructed in Servicing Plungers.

Technical Data

Model 800636	
Engine (4 cycle, air-cooled)	13 HP Honda OHV
Battery	12 Volt, 30 AMP 250 CCA
Gasoline Tank Capacity	2 Gallon (7.6 Liter)
Water Pump Maximum Working Pressure	3500 psi (241 bar)
Water Pump Maximum Flow	4 gpm (15 lpm)
Inlet Hose Connection	3/4" garden hose (f)
Weight	255 lbs (116 kg)
Dimensions	
Length	49" (1245 mm)
Width	30" (762 mm)
Height	26.5" (673 mm)
Maximum Inlet Water Temperature	160°F (70°C)
Wetted Parts	
High Pressure Hose	Acrylonitrile and Buna-N cover and tube
Bypass Hose	Synthetic yarn and EPDM
Pressure Washer (including fittings)	Anodized aluminum, Aluminum or bronze alloys, Brass Copper, Nylon-PTFE composite, Ceramic, Buna-N, Cotton phenolic, 303, 304, and 316 Stainless steel, Polyamide-12 thermoplastic, PTFE, Carbon steel, Zinc with or without yellow chromate plate

Pressure Washer – Parts

3540 Pressure Washer
Model 800636, Series C



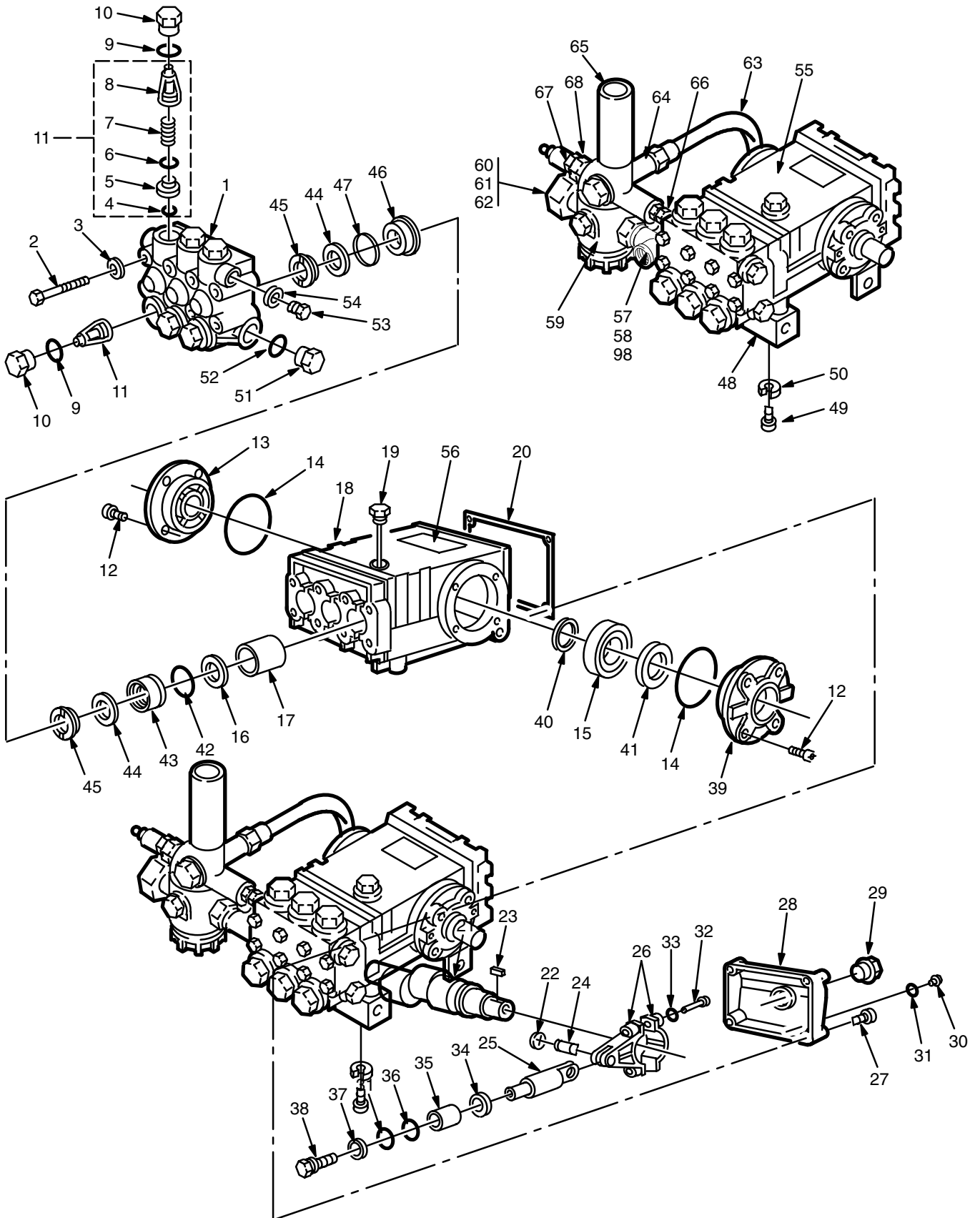
Pressure Washer — Parts

3540 Pressure Washer Model 800636, Series C

Ref No.	Part No.	Description	Qty	Ref No.	Part No.	Description	Qty
2	100214	WASHER, Lock 5/16	4	44	244450	GUN & WAND ASSEMBLY	1
3	803945	BELT, Drive	2	45	803526	SPACER	1
4	803800	SHEAVE, Engine	1	46	801217	BUMPER, Rubber	1
5	100023	WASHER, Flat 5/16	4	47	177144	LABEL, Belt Guard	1
6	100450	SCREW, Cap, Hex hd 5/16-18 x 1	9	48	803535	SCREW, Cap, Hex hd (used on 800635 only)	1
7	803534	LABEL, Belt Guard	1		801559	SCREW, Cap, Hex hd	1
8	803926	BELT GUARD	1	49	803942	SHEAVE, Pump	1
9	803525	BOLT, Battery	2	50	801898	HUB, Engine	1
10	804282	BRACKET, Battery	1	51	801135	HUB, Pump	1
11	801972	PAD, Battery	1	52	801959	TERMINAL PROTECT., Blk	1
12	801550	WHEEL & TIRE ASSEMBLY	2	53	801945	CABLE, Battery 12" Long	1
13	801612	WASHER, Flat 1/2	2	55	115753	BATTERY, 12 Volt, 30 Amp	1
14	801020	NUT, Lock 1/2-13	2	56	100527	WASHER, Flat 1/4	24
15	800676	CHASSIS	1	57	100016	WASHER, Lock 1/4	4
16	801556	AXLE	1	58	100015	NUT, Hex 1/4-20	4
17	800678	BRACKET, Rail Stiffener	1	59	100022	BOLT, Carriage 1/4-20 x 1	2
18	801546	SCREW, Cap, Hex hd 3/8-16 x 1-1/4	4	60	801946	CABLE, Battery 24" Long	1
19	100133	WASHER, Lock 3/8	4	61	801958	TERMINAL PROTECT., Red	1
20	100132	WASHER, Flat 3/8	4	62	803531	BASEPLATE, Belt Guard	1
21	800160	FRONT LEG ASSEMBLY (incl. 5, 78 through 84)	1	63	801022	SCREW, Cap, Hex hd 5/16-18 x 3/4	4
22	803905	LABEL, Model 3540	1	64	107069	BRACKET, Battery	1
23	111040	NUT, Lock 5/16-18	4	70	801090	QUICK COUPLER, Male 1/4	4
24	803925	HANDLE	1	71	803106	TIP, Spray 00045	1
25	803298	SCREW, Cap, Hex hd 5/16-18 x 3-1/2	1	72	803107	TIP, Spray 15045	1
28	802016	BRACKET, Rail Stiffener	1	73	803108	TIP, Spray 25045	1
29	801522	SCREW, Cap, Hex hd	2	74	803109	TIP, Spray 40045	1
30	804500	LABEL, Chassis	1	75	244451	HOSE ASSEMBLY	1
31	801548	GROMMET, Rubber	5	76	802363	LABEL, Caution	1
33	800314	TIP ASS'Y, 00045 (incl. 70, 71)	1	77	290013	LABEL, Warning	1
34	800315	TIP ASS'Y, 15045 (incl. 70, 72)	1	78	801531	SCREW, Cap, Hex hd 3/8-16 x 7	1
35	800316	TIP ASS'Y, 25045 (incl. 70, 73)	1	79	801504	BUMPER, Rubber	1
36	805434	TIP ASS'Y, 40045 (incl. 70, 74)	1	80	801505	RETAINER, Spring	1
37	803883	ENGINE, 12.5 HP, Briggs & Stratton Vanguard OHV (used on 800635 only)	1	81	801593	SPRING	1
	803967	ENGINE, 13 HP, Honda OHV (used on 800636 only)	1	82	801506	BOOT	1
38		PUMP ASS'Y (see page 16)	1	83	801537	LEG, Front	1
39	800652	FUEL TANK ASSEMBLY (incl. 40, 87, 89, 90, 91, 92) (used on 800635 only)	1	84	801499	NUT, Lock 3/8-16	1
40	801733	BARB, Hose 1/4 (used on 800635 only)	1	93	801137	KEY, square	2

Pump – Parts

Pump Assembly 803508, 3500 psi (24 MPa, 241 bar)



Pump – Parts

Pump Assembly 803508, 3500 psi (24 MPa, 241 bar)

Ref No.	Part No.	Description	Qty	Ref	Part No.	Description	Qty
1	801467	MANIFOLD, 3000 psi	1	37	Kit 6 or 107	WASHER	
	803504	MANIFOLD, 3500, 4000 psi	1	38	Kit 6 or 107	SCREW, Piston	
2	801468	SCREW, Cap, hex hd	8	39	803295	COVER, Crankcs., 3000 psi	1
3	801469	WASHER, Lock	8		803505	COVER, Crankcase, 3500 and 4000 psi	1
4	Kit 1	O-RING		40	803296	SHIM	2
5	Kit 1	SEAT, Valve		41	Kit 3	SEAL, Oil	
6	Kit 1	PLATE, Valve		42	Kit 28 or 109	O-RING	
7	Kit 1	SPRING		43	Kit 28 or 109	RETAINER, Packing	
8	Kit 1	GUIDE, Valve		44	Kit 28 or 109	PACKING Kit 8 or 112	
9	Kit 4 or 106	O-RING		45	Kit 28 or 109	RING, Head	
10	Kit 4 or 106	CAP		46	Kit 28 or 109	RETAINER, Packing	
11	Kit 1	VALVE ASSEMBLY		47	Kit 28 or 109	RING, Long Life	
12	803283	SCREW, Cap, socket hd	8	48	801526	BRACKET, Pump	2
13	803284	COVER, Crankcs., 3000 psi	1	49	802305	SCREW, Cap, socket hd	4
	803506	COVER, Crankcase, 3500 and 4000 psi	1	50	802304	WASHER, Lock	2
14	802500	O-RING, Crankcase cover	2	51	801482	PLUG, Hex	1
15	803324	BEARING, Tapered roller	2	52	801483	WASHER, Flat	1
16	Kit 2	SEAL, Oil		53	801484	PLUG, Hex	1
17	803286	BUSHING, Piston	3	54	801485	WASHER, Flat	1
18	802895	CRANKCASE, 3000 psi	1	55	801624	PUMP, 3000 psi	1
	803501	CRANKCASE, 3500 and 4000 psi	1		803508	PUMP, 3500 and 4000 psi	1
19	801475	DIPSTICK	1	56	803083	LABEL, Keep From Freezing, 3000 psi	1
20	803144	GASKET, Cover	1		803517	LABEL, Keep From Freezing, 3500 and 4000 psi	1
21	803287	CRANKSHAFT	1	57	802085	NIPPLE 1/2	1
22	803288	RING, Retaining	6	58	801622	CROSS 1/2	1
23	802794	KEY	1	59	800113	FILTER (see Instruction Manual 801744)	1
24	803289	PIN, Wrist	3	60	801111	NUT, Garden hose	1
25	803325	GUIDE, Piston, 3000 psi	3	61	801110	ADAPTER, Garden hose	1
	803503	GUIDE, Piston, 3500 and 4000 psi	3	62	801112	STRAINER, Garden hose	1
26	803291	ROD, Connecting	3	63	803141	HOSE, Bypass	1
27	803292	SCREW, Cap, socket hd	5	64	803142	NIPPLE, Hex 1/2 NPSM x 3/8 NPT 3000 psi	1
28	803293	COVER, Crankcase, 3000 psi	1		802534	NIPPLE, Hex 1/2 NPSM x 1/2 NPT, 3500 and 4000 psi	1
	803507	COVER, Crankcase, 3500 and 4000 psi	1	65	800325	UNLOADER, 3000 psi	1
29	802345	GAUGE, Sight	1		800689	UNLOADER, 3500 psi	
30	802793	PLUG, Oil drain	1		800427	UNLOADER, 4000 psi	1
31	Kit 6 or 107	O-RING		65a	804487	FITTING, unloader outlet (not shown)	1
32	803294	SCREW, Cap, socket hd	6	66	801868	NIPPLE, Hex 3/8, 3000 psi	1
33	803652	WASHER, Lock	6		801236	NIPPLE, Hex 1/2x3/8, 3500 and 4000 psi	2
34	Kit 6 or 107	WASHER, Flinger		67	801568	COUPLER, Male 3/8	1
35	801490	PLUNGER, Ceramic	3	68	KIT 5	REPAIR KIT	
	803502	PLUNGER, Ceramic	3	98	116461	VALVE, thermal	1
36	Kit 6 or 107	RING, Backup					

Pump – Parts

Kit No.	Repair Kit Part No.	Ref No.	Description	Qty.
1	801472 Valve	4	O-RING	6
		5	SEAT, Valve	6
		6	PLATE, Valve	6
		7	SPRING	6
		8	GUIDE, Valve	6
		11	VALVE ASSEMBLY	6
2	801473 Oil Seal	16	SEAL, Oil	3
3	802511 Crankshaft Seal	41	SEAL, Oil	2
4	802306 Valve Cap, 3000 psi	9	O-RING	6
		10	CAP	6
5	244350 Chemical Injector Repair Kit	68	O-RING	1
			O-RING	1
			SS ball	1
			Spring	1
6	801474 Plunger Repair, 3000 psi	31	O-RING	1
		34	WASHER, Finger	1
		36	RING, Backup	1
		37	WASHER	1
		38	SCREW, Piston	1
8	801468 Packing, 3500 psi	44	PACKING	6

28	801487 Packing & Retainer, 3000 psi	42	O-RING	1
		43	RETAINER,	1
		44	PACKING	2
		45	PACKING	1
		46	RING, Head	1
		47	RETAINER, PACKING RING, Long Life	1
106	803509 Valve Cap, 3500 & 4000 psi	9	O-RING	6
		10	CAP	6
107	803510 Plunger Repair, 3500 & 4000 psi	31	O-RING	1
		34	WASHER, Flinger	1
		36	RING, Backup	1
		37	WASHER	1
		38	SCREW, Piston	1
109	803511 Packing & Retainer, 3500 & 4000 psi	42	O-RING	1
		43	RETAINER,	1
		44	PACKING	2
		45	PACKING	1
		46	RING, Head	1
		47	RETAINER, PACKING RING, Long Life	1
112	803512 Packing, 3500 & 4000 psi	44	PACKING	6

Graco Standard Warranty

Graco warrants all equipment listed in this manual which is manufactured by Graco and bearing its name to be free from defects in material and workmanship on the date of sale by an authorized Graco distributor to the original purchaser for use. With the exception of any special extended or limited warranty published by Graco, Graco will, for a period of twelve months from the date of sale, repair or replace any part of the equipment determined by Graco to be defective. This warranty applies only when the equipment is installed, operated and maintained in accordance with Graco's written recommendations.

This warranty does not cover, and Graco shall not be liable for general wear and tear, or any malfunction, damage or wear caused by faulty installation, misapplication, abrasion, corrosion, inadequate or improper maintenance, negligence, accident, tampering, or substitution of non-Graco component parts. Nor shall Graco be liable for malfunction, damage or wear caused by the incompatibility of Graco equipment with structures, accessories, equipment or materials not supplied by Graco, or the improper design, manufacture, installation, operation or maintenance of structures, accessories, equipment or materials not supplied by Graco.

This warranty is conditioned upon the prepaid return of the equipment claimed to be defective to an authorized Graco distributor for verification of the claimed defect. If the claimed defect is verified, Graco will repair or replace free of charge any defective parts. The equipment will be returned to the original purchaser transportation prepaid. If inspection of the equipment does not disclose any defect in material or workmanship, repairs will be made at a reasonable charge, which charges may include the costs of parts, labor, and transportation.

Graco's sole obligation and buyer's sole remedy for any breach of warranty shall be as set forth above. The buyer agrees that no other remedy (including, but not limited to, incidental or consequential damages for lost profits, lost sales, injury to person or property, or any other incidental or consequential loss) shall be available. Any action for breach of warranty must be brought within two (2) years of the date of sale.

GRACO MAKES NO WARRANTY, AND DISCLAIMS ALL IMPLIED WARRANTIES OF MERCHANTABILITY AND FITNESS FOR A PARTICULAR PURPOSE IN CONNECTION WITH ACCESSORIES, EQUIPMENT, MATERIALS OR COMPONENTS SOLD BUT NOT MANUFACTURED BY GRACO. These items sold, but not manufactured by Graco (such as electric motors, gas engines, switches, hose, etc.), are subject to the warranty, if any, of their manufacturer. Graco will provide purchaser with reasonable assistance in making any claim for breach of these warranties.

In no event will Graco be liable for indirect, incidental, special or consequential damages resulting from Graco supplying equipment hereunder, or the furnishing, performance, or use of any products or other goods sold hereto, whether due to a breach of contract, breach of warranty, the negligence of Graco, or otherwise.

FOR GRACO CANADA CUSTOMERS

The parties acknowledge that they have required that the present document, as well as all documents, notices and legal proceedings entered into, given or instituted pursuant hereto or relating directly or indirectly hereto, be drawn up in English. Les parties reconnaissent avoir convenu que la rédaction du présente document sera en Anglais, ainsi que tous documents, avis et procédures judiciaires exécutés, donnés ou intentés à la suite de ou en rapport, directement ou indirectement, avec les procédures concernées.

ADDITIONAL WARRANTY COVERAGE

Graco does provide extended warranty and wear warranty for products described in the "Graco Contractor Equipment Warranty Program".

Graco Phone Number

TO PLACE AN ORDER, contact your Graco distributor, or call this number to identify the distributor closest to you:
1-800-690-2894 Toll Free

*All written and visual data contained in this document reflect the latest product information available at the time of publication.
Graco reserves the right to make changes at any time without notice.*

Sales Offices: Minneapolis, Detroit
International Offices: Belgium, Korea, Hong Kong, Japan

GRACO INC. P.O. BOX 1441 MINNEAPOLIS, MN 55440-1441

www.graco.com

PRINTED IN USA 308525 January 1991, Revised September 2002