

INSTRUCTIONS-PARTS LIST



308-540

Rev A
Supersedes
801-744

This manual contains **IMPORTANT WARNINGS** and **INSTRUCTIONS** READ AND RETAIN FOR REFERENCE

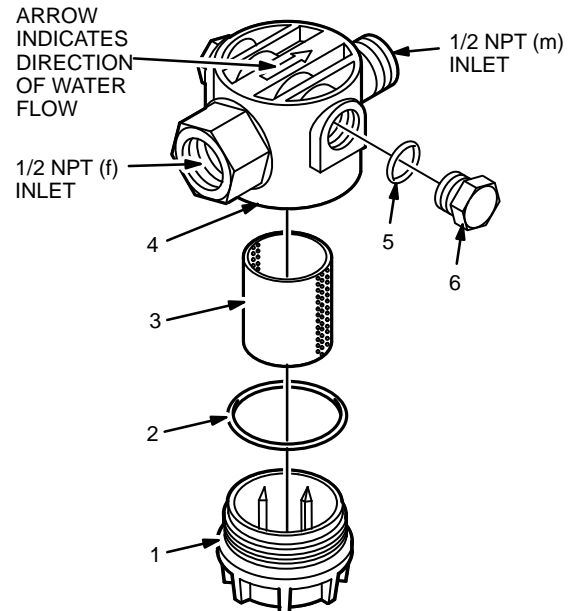
FILTER

MODEL 800-113

100 psi (7 bar) MAXIMUM WORKING PRESSURE

10 gpm (38 liter/min) MAXIMUM FLOW RATE

Use on the inlet side of a Graco Pressure Washer to filter out impurities from the water supply. Filtering increases pump life and helps provide trouble-free operation.



PARTS LIST

REF NO.	PART NO.	DESCRIPTION	QTY
1	801-748	CAP	1
2	801-749	O-RING	1
3	801-750	SCREEN	1
4	801-751	BODY	1
5	801-752	O-RING	2
6	801-753	PLUG	2

INSTALLATION

To install the filter, remove the garden hose adapter (A) and adapter nut (D) from the inlet (B) of the pump. Screw the filter's 1/2 npt(m) outlet (C) into the pump inlet. Insert the garden hose adapter through the adapter nut and screw it into the filter's 1/2 npt(f) inlet (E). Place the inlet screen (F) into the adapter nut and then screw a standard 3/4 in. garden hose threaded coupling (G) into the nut. Turn on the water and check for leaks. Use pipe thread sealant or PTFE® tape on all threaded connections.

WARNING

To reduce the risk of component rupture and serious bodily injury, BE SURE the incoming fluid pressure does not exceed the 100 psi (7 bar) MAXIMUM WORKING PRESSURE of this filter or of any other accessory or component in your system.

If hard plumbing is used, the filter may be installed as a part of the hard plumbing of the water supply. Connect a short piece of hose between the pump and the hard plumbing to permit normal equipment vibration.

Wetted Parts: Aluminum, Stainless Steel, Buna-N, Brass, Plastic

GRACO INC. P.O. Box 1441 MINNEAPOLIS, MN 55440-1441

©COPYRIGHT 1991, GRACO INC.

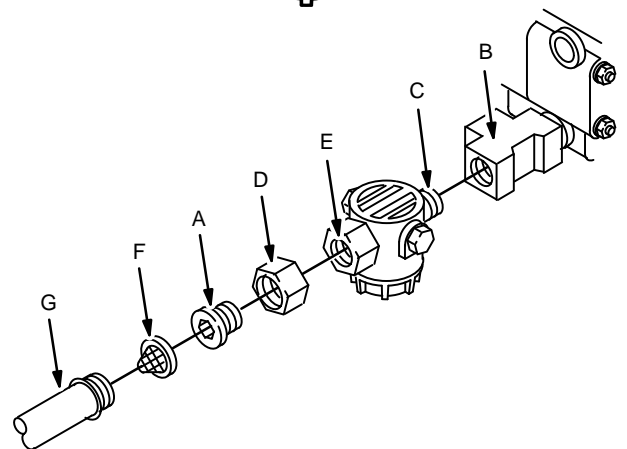


Figure 1

SERVICE

Clean the filter at least once a week. Depending on use and water conditions, the filter may need to be cleaned more often. If the filter is plugged, the pressure washer's flowrate will decrease and the pump's noise level will increase.

To clean the filter, turn off the water and unscrew the filter cap (1) with a 10 mm hex key wrench. Check the o-ring (2) for damage and replace if necessary. Remove the filter screen (3) and thoroughly clean it. Replace the filter if it is damaged. Reinstall the screen in the filter body (4). Screw in the cap and tighten it firmly with the wrench. Refer to the Parts Drawing.

THE GRACO WARRANTY

WARRANTY AND DISCLAIMERS

Graco warrants all equipment manufactured by it and bearing its name to be free from defects in material and workmanship on the date of sale by an authorized Graco distributor to the original purchaser for use. As purchaser's sole remedy for breach of this warranty, Graco will, for a period of twelve months from date of sale, repair or replace any part of the equipment proven defective. This warranty applies only when the equipment is installed, operated and maintained in accordance with Graco's written recommendations.

This warranty does not cover, and Graco shall not be liable for, any malfunction, damage or wear caused by faulty installation, misapplication, abrasion, corrosion, inadequate or improper maintenance, negligence, accident, tampering, or substitution of non-Graco component parts. Nor shall Graco be liable for malfunction, damage or wear caused by the incompatibility with Graco equipment of structures, accessories, equipment or materials not supplied by Graco, or the improper design, manufacture, installation, operation or maintenance of structures, accessories, equipment or materials not supplied by Graco.

This warranty is conditioned upon the prepaid return of the equipment claimed to be defective for examination by Graco to verify the claimed defect. If the claimed defect is verified, Graco will repair or replace free of charge any defective parts. The equipment will be returned to the original purchaser transportation prepaid. If inspection of the equipment does not disclose any defect in material or workmanship, repairs will be made at a reasonable charge, which charges may include the costs of parts, labor and transportation.

DISCLAIMERS AND LIMITATIONS

THE TERMS OF THIS WARRANTY CONSTITUTE THE PURCHASER'S SOLE AND EXCLUSIVE REMEDY AND ARE IN LIEU OF ANY OTHER WARRANTIES (EXPRESS OR IMPLIED), INCLUDING WARRANTY OF MERCHANTABILITY OR WARRANTY OF FITNESS FOR A PARTICULAR PURPOSE, AND OF ANY NON-CONTRACTUAL LIABILITIES, INCLUDING PRODUCT LIABILITIES, BASED ON NEGLIGENCE OR STRICT LIABILITY. EVERY FORM OF LIABILITY FOR DIRECT, SPECIAL OR CONSEQUENTIAL DAMAGES OR LOSS IS EXPRESSLY EXCLUDED AND DENIED. IN NO CASE SHALL GRACO'S LIABILITY EXCEED THE AMOUNT OF THE PURCHASE PRICE. ANY ACTION FOR BREACH OF WARRANTY MUST BE BROUGHT WITHIN TWO (2) YEARS OF THE DATE OF SALE.

EQUIPMENT NOT COVERED BY GRACO WARRANTY

GRACO MAKES NO WARRANTY, AND DISCLAIMS ALL IMPLIED WARRANTIES OF MERCHANTABILITY AND FITNESS FOR A PARTICULAR PURPOSE, WITH RESPECT TO ACCESSORIES, EQUIPMENT, MATERIALS OR COMPONENTS SOLD BUT NOT MANUFACTURED BY GRACO. These items sold, but not manufactured by Graco (such as electric motor, switches, hose, etc.) are subject to the warranty, if any, of their manufacturer. Graco will provide purchaser with reasonable assistance in making any claim for breach of these warranties.

IMPORTANT PHONE NUMBERS

TO PLACE AN ORDER, contact your Graco distributor, or call this number to identify the distributor closest to you: **1-800-328-0211 Toll Free**

FOR TECHNICAL ASSISTANCE, service repair information or assistance regarding the application of Graco equipment: **1-800-543-0339 Toll Free**

Factory Branches: Atlanta, Chicago, Dallas, Detroit, Los Angeles, West Caldwell (N.J.)
Subsidiary and Affiliate Companies: Canada; England; Switzerland; France; Germany; Hong Kong; Japan; Korea

GRACO INC. P.O. BOX 1441 MINNEAPOLIS, MN 55440-1441

PRINTED IN U.S.A. 308-540 5/91