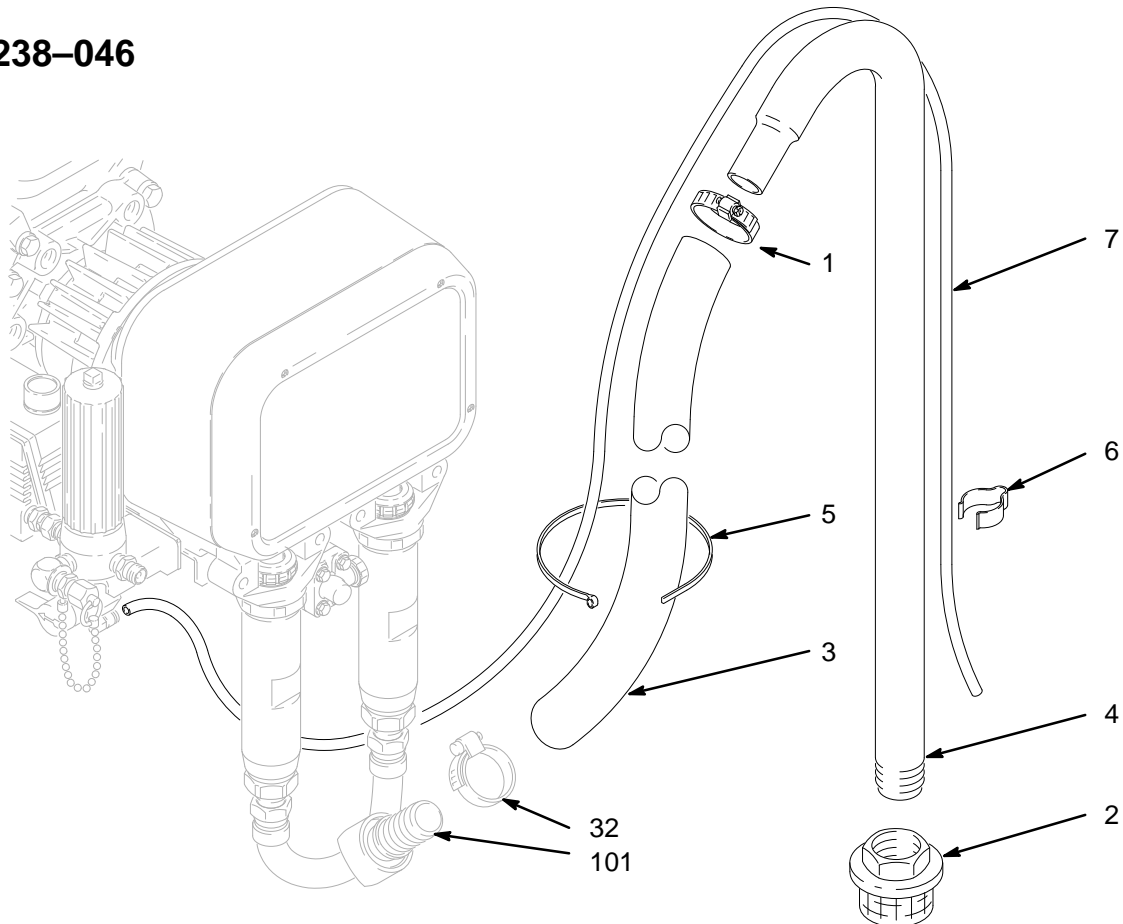
 **INSTRUCTIONS**  
 This manual contains important warnings and information.  
**READ AND RETAIN FOR REFERENCE**

## GM10000

## 55 Gallon Suction Tube Kit

Model 238-046



05348

## Installation

1. Relieve pressure. See manual 308-568.
2. Loosen clamp (32).
3. Remove existing suction hose.
4. Remove existing drain tube from drain valve. Push drain tube connector brass collar in and pull drain tube out.
5. Connect drain tube (7) by simply inserting into drain valve.
6. Connect suction hose (3) to hose barb connector (101)
7. Tighten clamp (32).

## Parts List

Ref No.	Part No.	Description	yQ
1	112-799	CLAMP, hose	1
2	112-816	STRAINER	1
3	190-775	HOSE, suction	1
4	190-776	TUBE, suction	1
5	103-546	TIE WRAP	3
6	186-494	CLAMP, spring	2
7	190-781	DRAIN TUBE	1

# Graco Phone Numbers

***TO PLACE AN ORDER***, contact your Graco distributor, or call this number to identify the distributor closest to you: **1-800-367-4023 Toll Free**

***FOR TECHNICAL ASSISTANCE***, service repair information or assistance regarding the application of Graco equipment: **1-800-543-0339 Toll Free**

**Sales Offices:** Atlanta, Chicago, Detroit, Los Angeles  
**Foreign Offices:** Belgium; Canada; England; Korea; Switzerland; France; Germany; Hong Kong; Japan

**GRACO INC. P.O. BOX 1441 MINNEAPOLIS, MN 55440-1441**

PRINTED IN U.S.A. 308-591 7/95