



This manual contains important warnings and information.  
**READ AND KEEP FOR REFERENCE.**

INSTRUCTIONS

First choice when quality counts.™

30:1 RATIO PRESIDENT®

## Cart-Mounted Airless Package

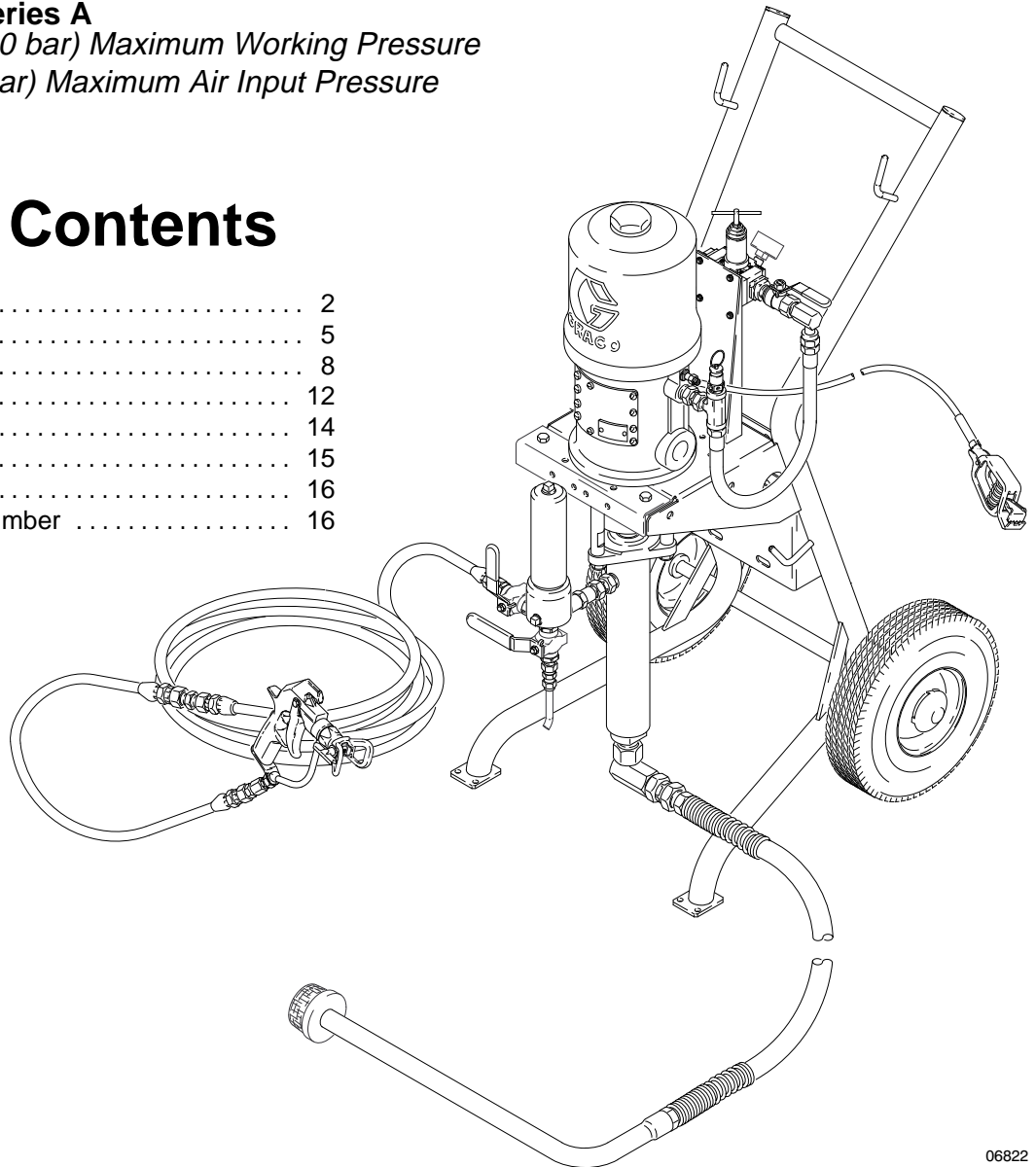
Part No. 231-920, Series A

3000 psi (21 MPa, 210 bar) Maximum Working Pressure

100 psi (0.7 MPa, 7 bar) Maximum Air Input Pressure

### Table of Contents

Warnings .....	2
Setup .....	5
Operation .....	8
Parts .....	12
Technical Data .....	14
Dimensions .....	15
Graco Warranty .....	16
Toll-Free Graco Phone Number .....	16



06822

GRACO INC. P.O. BOX 1441 MINNEAPOLIS, MN 55440-1441

©COPYRIGHT 1997, GRACO INC.

Graco Inc. is registered to I.S. EN ISO 9001

# Symbols

## Warning Symbol



This symbol alerts you to the possibility of serious injury or death if you do not follow the instructions.

## Caution Symbol



This symbol alerts you to the possibility of damage to or destruction of equipment if you do not follow the instructions.

## WARNING



INSTRUCTIONS

### EQUIPMENT MISUSE HAZARD

Equipment misuse can cause the equipment to rupture or malfunction and result in serious injury.

- This equipment is for professional use only.
- Read all instruction manuals, tags, and labels before operating the equipment.
- Use the equipment only for its intended purpose. If you are uncertain about usage, call your Graco distributor.
- Do not alter or modify this equipment. Use only genuine Graco parts and accessories.
- Check equipment daily. Repair or replace worn or damaged parts immediately.
- Do not exceed the maximum working pressure of the lowest rated system component. Refer to the **Technical Data** on page 14 for the maximum working pressure of this equipment.
- Use fluids and solvents which are compatible with the equipment wetted parts. Refer to the **Technical Data** section of all equipment manuals. Read the fluid and solvent manufacturer's warnings.
- Do not use hoses to pull equipment.
- Route hoses away from traffic areas, sharp edges, moving parts, and hot surfaces. Do not expose Graco hoses to temperatures above 180°F (82°C) or below -40°F (-40°C).
- Wear hearing protection when operating this equipment.
- Do not lift pressurized equipment.
- Comply with all applicable local, state, and national fire, electrical, and safety regulations.

# WARNING



## INJECTION HAZARD

Spray from the gun, hose leaks, or ruptured components can inject fluid into your body and cause extremely serious injury, including the need for amputation. Fluid splashed in the eyes or on the skin can also cause serious injury.



- Fluid injected into the skin might look like just a cut, but it is a serious injury. **Get immediate medical attention.**
- Do not point the gun at anyone or at any part of the body.
- Do not put your hand or fingers over the spray tip.
- Do not stop or deflect leaks with your hand, body, glove or rag.
- Do not “blow back” fluid; this is not an air spray system.
- Always have the tip guard and the trigger guard on the gun when spraying.
- Check the gun diffuser operation weekly. Refer to the gun manual.
- Be sure the gun trigger safety operates before spraying.
- Lock the gun trigger safety when you stop spraying.
- Follow the **Pressure Relief Procedure** on page 8 whenever you: are instructed to relieve pressure; stop spraying; clean, check, or service the equipment; and install or clean the spray tip.
- Tighten all fluid connections before operating the equipment.
- Check the hoses, tubes, and couplings daily. Replace worn, damaged, or loose parts immediately. Permanently coupled hoses cannot be repaired; replace the entire hose.
- Use only Graco approved hoses. Do not remove any spring guard that is used to help protect the hose from rupture caused by kinks or bends near the couplings.



## MOVING PARTS HAZARD

Moving parts, such as the air motor piston, can pinch or amputate your fingers.

- Keep clear of all moving parts when starting or operating the pump.
- Before servicing the equipment, follow the **Pressure Relief Procedure** on page 8 to prevent the equipment from starting unexpectedly.

# **WARNING**



## **FIRE AND EXPLOSION HAZARD**

Improper grounding, poor ventilation, open flames or sparks can cause a hazardous condition and result in a fire or explosion and serious injury.



- Ground the equipment and the object being sprayed. Refer to **Grounding** on page 5.
- If there is any static sparking or you feel an electric shock while using this equipment, **stop spraying immediately**. Do not use the equipment until you identify and correct the problem.
- Provide fresh air ventilation to avoid the buildup of flammable fumes from solvents or the fluid being sprayed.
- Keep the spray area free of debris, including solvent, rags, and gasoline.
- Electrically disconnect all equipment in the spray area.
- Extinguish all open flames or pilot lights in the spray area.
- Do not smoke in the spray area.
- Do not turn on or off any light switch in the spray area while operating or if fumes are present.
- Do not operate a gasoline engine in the spray area.



## **TOXIC FLUID HAZARD**

Hazardous fluid or toxic fumes can cause serious injury or death if splashed in the eyes or on the skin, inhaled, or swallowed.

- Know the specific hazards of the fluid you are using.
- Store hazardous fluid in an approved container. Dispose of hazardous fluid according to all local, state and national guidelines.
- Always wear protective eyewear, gloves, clothing and respirator as recommended by the fluid and solvent manufacturer.

# Setup

## General Information

**NOTE:** Reference numbers and letters in parentheses in the text refer to the callouts in the figures and the parts drawing.

**NOTE:** Always use Genuine Graco Parts and Accessories, available from your Graco distributor. If you supply your own accessories, be sure they are adequately sized and pressure-rated for your system.

Fig. 2 is only a guide for selecting and installing system components and accessories. Contact your Graco distributor for assistance in designing a system to suit your particular needs.

## Prepare the Operator

All persons who operate the equipment must be trained in the safe, efficient operation of all system components as well as the proper handling of all fluids. All operators must thoroughly read all instruction manuals, tags, and labels before operating the equipment.

## Prepare the Site

Ensure that you have an adequate compressed air supply. Refer to the performance charts on page 14 to find the air consumption of your sprayer.

Refer to Fig. 2. Bring a compressed air supply line (A) from the air compressor to the pump location. Be sure all air hoses are properly sized and pressure-rated for your system. Use only electrically conductive hoses. The air hose should have a 3/8 npt(m) thread.

Install a bleed-type shutoff valve (B) in the air line to isolate the air line components for servicing. Install an air line filter (G) and a moisture trap and drain valve (C) to help remove moisture and contaminants from the compressed air supply.

Keep the site clear of any obstacles or debris that could interfere with the operator's movement.

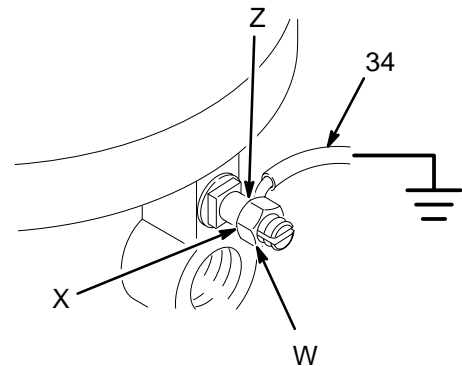
Have a grounded, metal pail available for use when flushing the system.

## Grounding

**⚠ WARNING**

**FIRE AND EXPLOSION HAZARD**  
Before operating the pump, ground the system as explained below. Also read the section **FIRE AND EXPLOSION HAZARD** on page 4.

1. *Pump:* use the ground wire and clamp (supplied). See Fig. 1. Loosen the grounding lug locknut (W) and washer (X). Insert one end of the ground wire (34) into the slot in lug (Z) and tighten the locknut securely. Connect the other end of the wire to a true earth ground.



0721

**Fig. 1**

2. *Air and fluid hoses:* use only electrically conductive hoses.
3. *Air compressor:* follow manufacturer's recommendations.
4. *Spray gun:* ground through connection to a properly grounded fluid hose and pump.
5. *Fluid supply container:* follow your local code.
6. *Object being sprayed:* follow your local code.
7. *Solvent pails used when flushing:* follow your local code. Use only metal pails, which are conductive, placed on a grounded surface. Do not place the pail on a nonconductive surface, such as paper or cardboard, which interrupts the grounding continuity.
8. *To maintain grounding continuity when flushing or relieving pressure,* hold a metal part of the spray gun firmly to the side of a grounded *metal* pail, then trigger the gun.

# Setup

## Supplied Components

Refer to Fig. 2.

### **WARNING**

A red-handled bleed-type master air valve (E) and a fluid drain valve (D) are supplied. These components help reduce the risk of serious injury, including fluid injection and splashing of fluid in the eyes or on the skin, and injury from moving parts if you are adjusting or repairing the pump.

The bleed-type master air valve relieves air trapped between this valve and the pump after the air is shut off. Trapped air can cause the pump to cycle unexpectedly. Locate the valve close to the pump.

The fluid drain valve assists in relieving fluid pressure in the displacement pump, hose, and gun. Triggering the gun to relieve pressure may not be sufficient.

- Remove the clip pins from the **air line couplers (22, 23)**. Screw the female coupler (23) onto the main air hose. Leave the male coupler (22) attached to the air regulator (F). Do not connect the couplers until you are ready to operate the pump.
- **The air regulator (F)** controls pump speed and outlet pressure by adjusting the air pressure to the pump. Locate close to the pump, but **upstream** from the bleed-type master air valve (E).
- **The air relief valve (41)** opens automatically to prevent overpressurization of the pump.
- **The fluid filter (16)** includes a 60 mesh (250 micron) stainless steel element to filter particles from the fluid as it leaves the pump. It also includes the **fluid drain valve (D)**, which is required in your system to relieve fluid pressure in the hose and gun (see the **WARNING** at left).
- **The suction hose (25) and tube (26)** allow the pump to draw fluid from a 5 gallon (19 liter) pail (H). The strainer at the end of the suction tube keeps large particles from entering the pump.
- **The red-handled bleed-type master air valve (E)** is required in your system to relieve air trapped between it and the air motor when the valve is closed (see the **WARNING** above). Be sure the bleed valve is easily accessible from the pump, and is located **downstream** from the air regulator (F).

# Setup

## KEY

### SUPPLIED WITH THE SPRAYER

- 1 Cart
- 13 Pump
- 16 Fluid Filter (includes fluid drain valve D)
- 22 Male Air Line Coupler
- 23 Female Air Line Coupler
- 25 Suction Hose- 26 Suction Tube
- 29 Fluid Line Shutoff Valve
- 34 Ground Wire (required; see page 5 for installation instructions)
- 41 Air Relief Valve
- 101 Electrically Conductive Fluid Supply Hose
- 103 Fluid Whip Hose
- 104 Gun Swivel
- 106 Airless Spray Gun
- D Fluid Drain Valve
- E\* Red-Handled Bleed-Type Master Air Valve (required, for pump)
- F\* Pump Air Regulator
- \* Included in Air Regulation Kit (19).

### COMPONENTS YOU MUST SUPPLY

- A Electrically Conductive Air Supply Hose
- B Bleed-Type Master Air Valve (for accessories)
- C Air Line Moisture Trap and Drain Valve
- G Air Line Filter
- H Grounded 5 Gallon (19 Liter) Pail

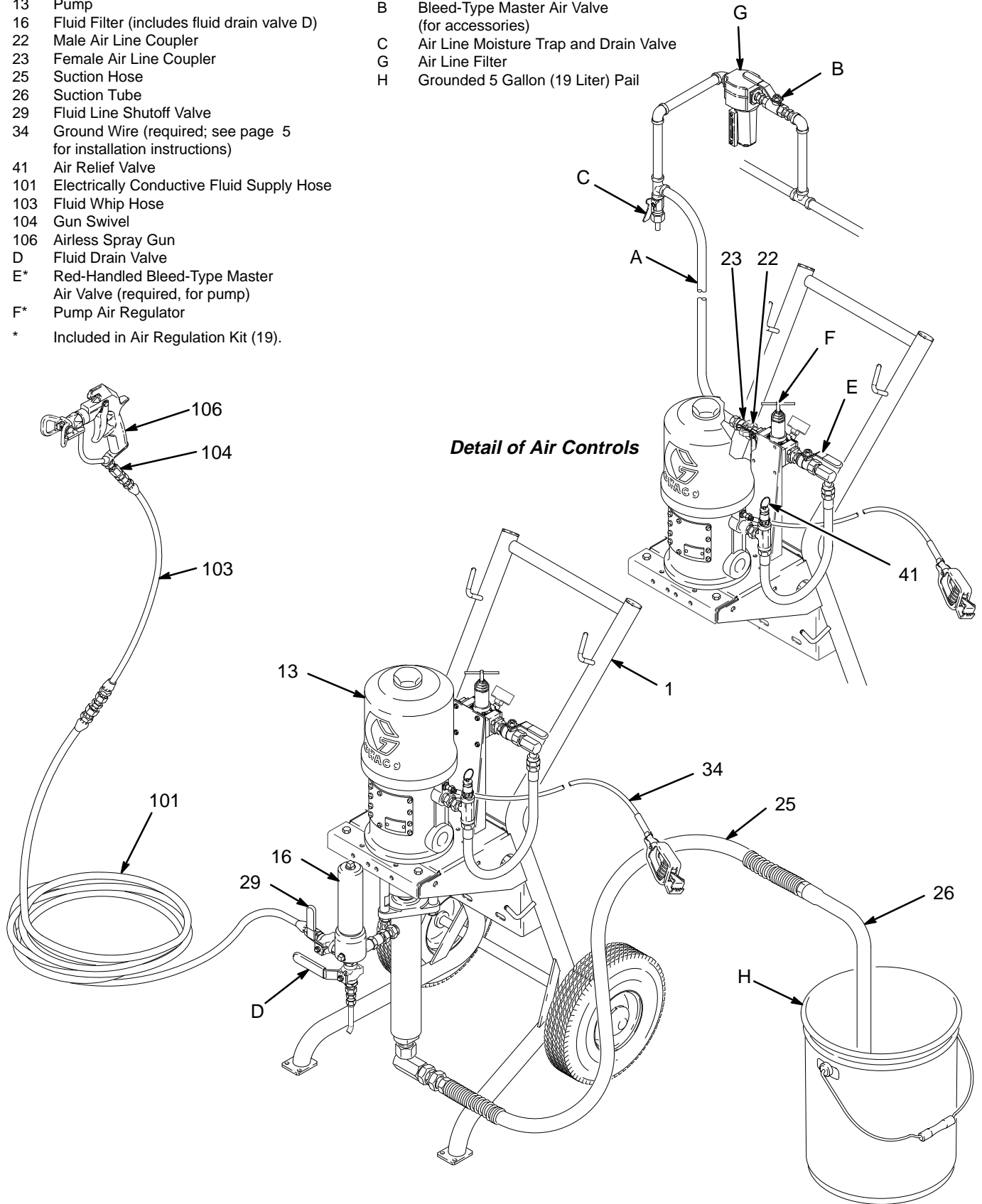


Fig. 2

# Operation

## Pressure Relief Procedure

### **WARNING**



#### **INJECTION HAZARD**

The system pressure must be manually relieved to prevent the system from starting or spraying accidentally. Fluid under high pressure can be injected through the skin and cause serious injury. To reduce the risk of an injury from injection, splashing fluid, or moving parts, follow the **Pressure Relief Procedure** whenever you:

- are instructed to relieve the pressure,
- stop spraying,
- check or service any of the system equipment,
- or install or clean the spray tip.

1. Lock the gun trigger safety.
2. Close the red-handled bleed-type master air valve (E, required in your system). See Fig. 3.
3. Unlock the gun trigger safety.
4. Hold a metal part of the gun firmly to the side of a grounded metal pail, and trigger the gun to relieve pressure.
5. Lock the gun trigger safety.
6. Open the drain valve (D, required in your system), having a container ready to catch the drainage.
7. Leave the drain valve open until you are ready to spray again.

*If you suspect that the spray tip or hose is completely clogged, or that pressure has not been fully relieved after following the steps above, **very slowly** loosen the tip guard retaining nut or hose end coupling and relieve pressure gradually, then loosen completely. Now clear the tip or hose.*

## Packing Nut

Before starting, fill the packing nut (J) 1/3 full with Graco Throat Seal Liquid (TSL) or compatible solvent. See Fig. 3.

### **WARNING**

To reduce the risk of serious injury whenever you are instructed to relieve pressure, always follow the **Pressure Relief Procedure** at left.

The packing nut is torqued at the factory and is ready for operation. If it becomes loose and there is leaking from the throat packings, relieve pressure, then torque the nut as specified in your separate pump manual. Do this whenever necessary. Do not overtighten the packing nut.

## Flush the Pump Before First Use

The pump is tested with lightweight oil, which is left in to protect the pump parts. If the fluid you are using may be contaminated by the oil, flush it out with a compatible solvent. See **Flushing** on page 10.

## Prime the Pump

### **CAUTION**

To avoid tip-over, the cart must be on a flat and level surface. Failure to follow this caution could result in injury or equipment damage.

1. See Fig. 3. Remove the tip guard and spray tip from the gun (106). See the gun manual.
2. Close the air regulator (F) and bleed-type air valves (B, E).
3. Close the fluid drain valve (D). Open the fluid line shutoff valve (29).
4. Engage the female air line coupler (23) with the male coupler (22) and twist to lock. Secure with the two clip pins.
5. Check that all fittings throughout the system are tightened securely.

*Continued on page 9.*



# Operation

## Prime the Pump (continued)

6. Place the pump suction tube (26) into the fluid supply container.
7. Open the bleed-type air valves (B, E).
8. Hold a metal part of the gun (106) firmly to the side of a grounded metal pail and hold the trigger open.
9. Slowly open the air regulator (F) until the pump starts.

**NOTE:** To open the air regulator, turn the T-handle in (clockwise). To close the regulator, turn the handle counterclockwise. To lock the regulator setting, tighten the jam nut.

10. Cycle the pump slowly until all air is pushed out and the pump and hoses are fully primed.
11. Release the gun trigger and lock the trigger safety. The pump should stall against pressure.
12. If the pump fails to prime properly, open the drain valve (D). Use the drain valve as a priming valve until the fluid flows from the valve. Close the valve.

**NOTE:** When changing fluid containers with the hose and gun already primed, open the drain valve (D) to help prime the pump and vent air before it enters the hose. Close the drain valve when all air is eliminated.

## Install the Spray Tip

### WARNING

To reduce the risk of serious injury whenever you are instructed to relieve pressure, always follow the **Pressure Relief Procedure** on page 8.

Relieve the pressure. Install the spray tip and tip guard as explained in your separate gun manual, supplied.

The spray tip shapes the fluid into a fan pattern. The orifice size determines the flow rate, and the orifice shape determines the width of the fan pattern.

## Adjust the Spray Pattern

1. Start the pump. Use the air regulator (F) to adjust the pump speed and fluid pressure until the spray is completely atomized. Use the lowest pressure necessary to get the desired results. Higher pressure may not improve the spray pattern and will cause premature tip wear and pump wear.

### WARNING

#### COMPONENT RUPTURE HAZARD



To reduce the risk of overpressurizing your system, which could cause component rupture and serious injury, *never exceed the specified Maximum Air Input Pressure* (see the **Technical Data**, on page 14).

2. Use a full-open, full-close triggering action. Hold the gun about 14 in. (350 mm) from and at right angles to the work surface. Move the gun in a straight stroke; do not swing the gun in an arc. Practice to find the best length and speed of stroke.
3. If adjusting the pressure does not give a good spray pattern, relieve the pressure and try another tip size. When more coverage is needed, use a larger spray tip rather than increasing the fluid pressure.
4. With the pump and lines primed, and with adequate air pressure and volume supplied, the pump will start and stop as you open and close the gun.

### CAUTION

Do not allow the pump to run dry. It will quickly accelerate to a high speed, causing damage. If your pump is running too fast, stop it immediately and check the fluid supply. If the container is empty and air has been pumped into the lines, refill the container and prime the pump and the lines, or flush and leave it filled with a compatible solvent. Eliminate all air from the fluid system.

# Operation

## Shutdown and Care of the Pump

### **WARNING**

To reduce the risk of serious injury whenever you are instructed to relieve pressure, always follow the **Pressure Relief Procedure** on page 8.

For overnight shutdown, stop the pump at the bottom of its stroke to prevent fluid from drying on the exposed displacement rod and damaging the throat packings. Relieve the pressure.

Always flush the pump before the fluid dries on the displacement rod. See **Flushing** below.

## Flushing

### **WARNING**



#### **FIRE AND EXPLOSION HAZARD**

Before flushing, read the section **FIRE AND EXPLOSION HAZARD** on page 4. Be sure the entire system and flushing pails are properly grounded. Refer to **Grounding** on page 5.

Flush the pump:

- Before the first use
- When changing colors or fluids
- Before fluid can dry or settle out in a dormant pump (check the pot life of catalyzed fluids)
- Before storing the pump.

Flush with a fluid that is compatible with the fluid you are pumping and with the wetted parts in your system. Check with your fluid manufacturer or supplier for recommended flushing fluids and flushing frequency.

### **CAUTION**

Never leave water or water-base fluid in the pump overnight. If you are pumping water-base fluid, flush with water first, then with a rust inhibitor such as mineral spirits. Relieve the pressure, but leave the rust inhibitor in the pump to protect the parts from corrosion.

### **WARNING**

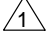
To reduce the risk of serious injury whenever you are instructed to relieve pressure, always follow the **Pressure Relief Procedure** on page 8.

1. Relieve the pressure.
2. Remove the tip guard and spray tip from the gun. See the gun instruction manual.
3. Remove the filter element from the fluid filter (16). Reinstall the filter bowl.
4. Place the suction tube (26) in a container of solvent.
5. Hold a metal part of the gun firmly to the side of a grounded *metal* pail.
6. Start the pump. Always use the lowest possible fluid pressure when flushing.
7. Trigger the gun.
8. Flush the system until clear solvent flows from the gun.
9. Relieve the pressure.
10. Clean the tip guard, spray tip, and fluid filter element separately, then reinstall them.
11. Clean the inside and outside of the suction tube (26).

# Operation

## KEY

- |     |   |     |  |
|-----|---|-----|--|
| 16  | Fluid Filter (includes fluid drain valve D) | 106 | Airless Spray Gun  |
| 22  | Male Air Line Coupler                       | A   | Electrically Conductive Air Supply Hose                      |
| 23  | Female Air Line Coupler                     | B   | Bleed-Type Master Air Valve (for accessories)                |
| 25  | Suction Hose                                | D   | Fluid Drain Valve  |
| 26  | Suction Tube                                | E   | Red-Handled Bleed-Type Master Air Valve (required, for pump) |
| 29  | Fluid Line Shutoff Valve                    | F   | Pump Air Regulator   |
| 101 | Electrically Conductive Fluid Supply Hose   | J   | Packing Nut/Wet-Cup (partially hidden)                       |
| 103 | Fluid Whip Hose                             |     |  |
| 104 | Gun Swivel                                  |     |  |

 Torque as specified in your separate pump manual.

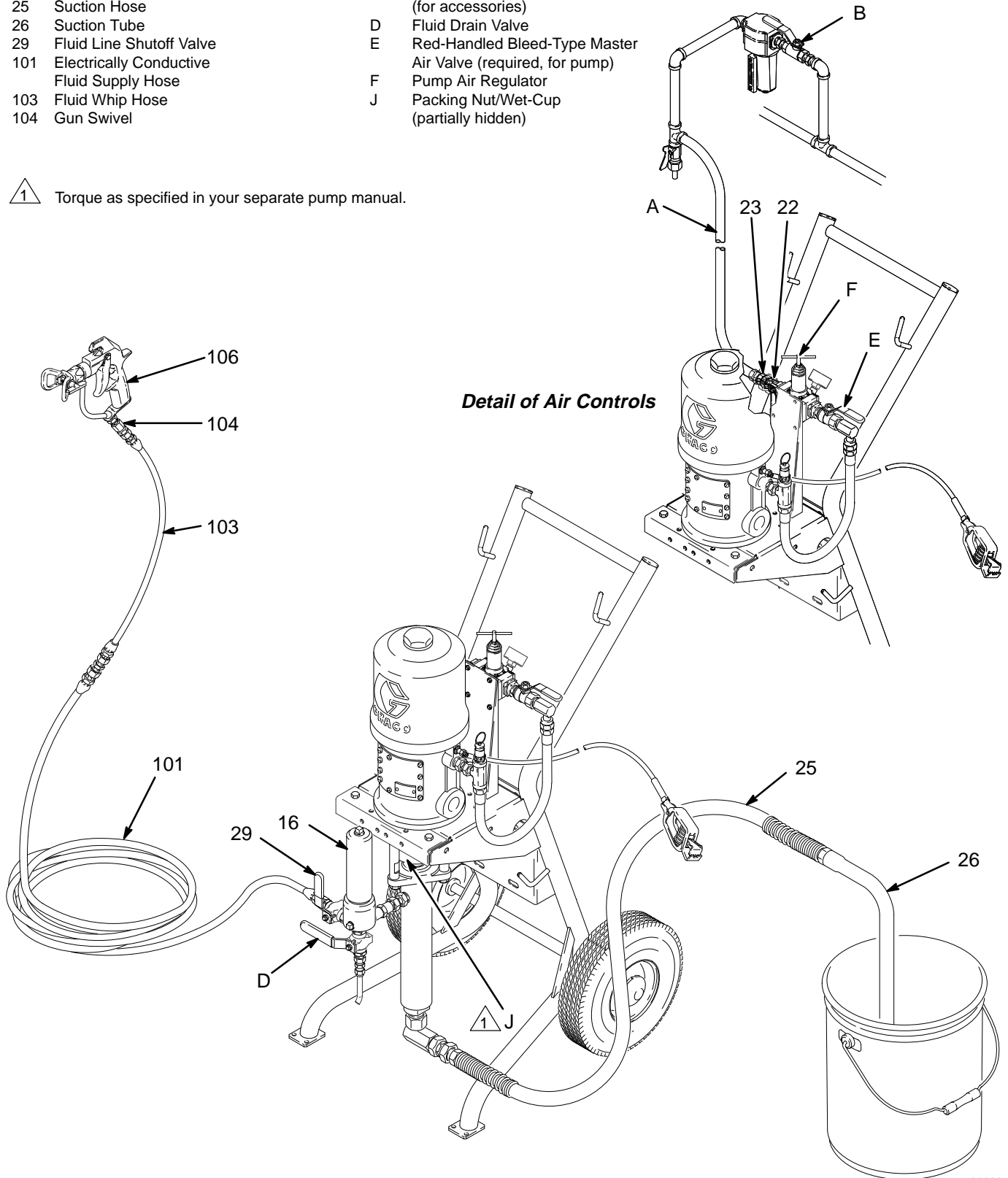
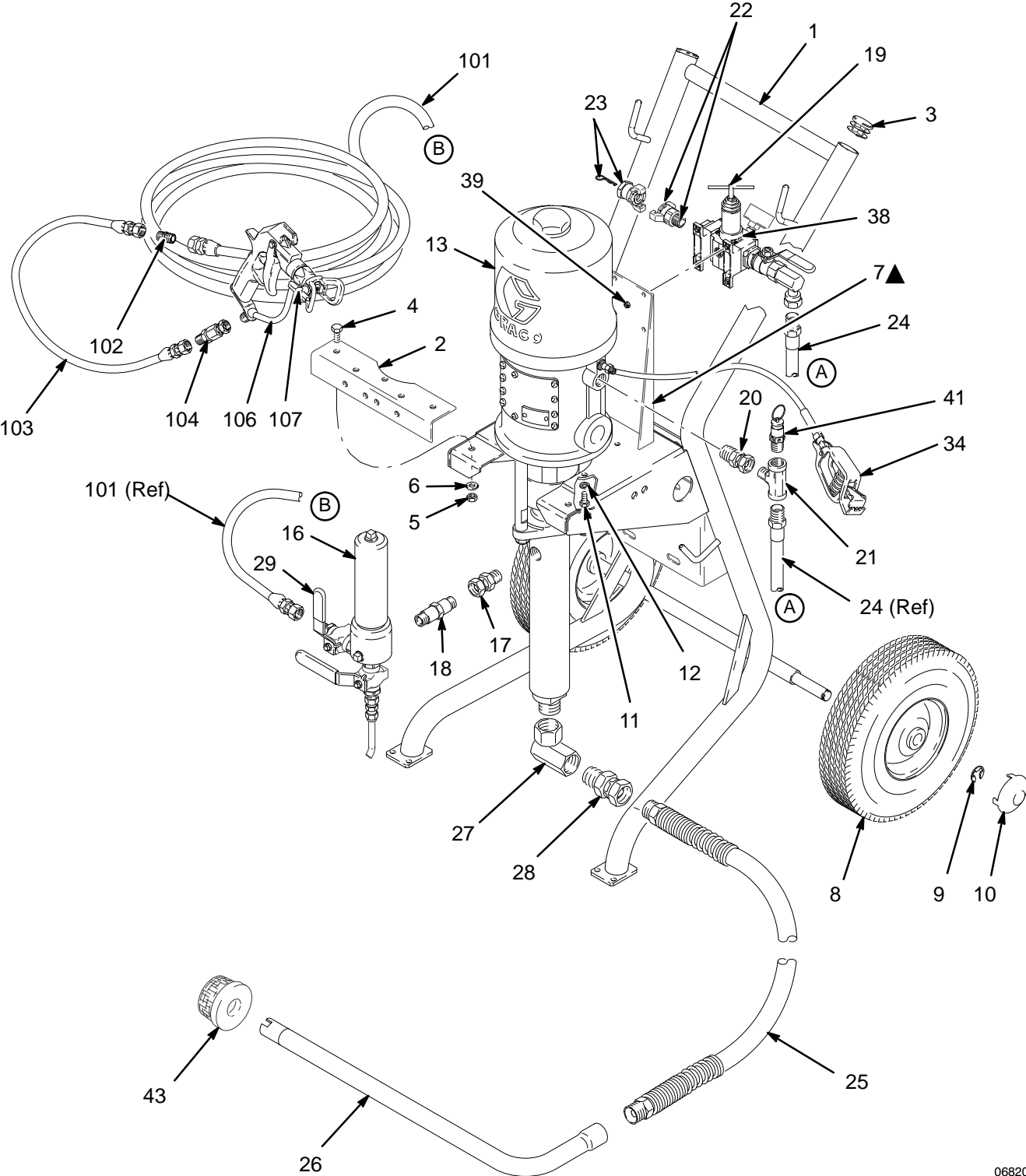


Fig. 3

06821

# Parts

Part No. 231-920, Series A, 30:1 President, carbon steel



06820A

# Parts

## Part No. 231–920, Series A, 30:1 President, carbon steel

Ref. No.	Part No.	Description	Qty.	Ref. No.	Part No.	Description	Qty.
1	238–938	CART, portable Includes replaceable items 2–10	1	25	214–960	HOSE, suction; 3/4" (19 mm) ID; nylon; 3/4 npt (mbe) cst fittings; 3.5' (1 m) long	1
2	191–902	. BRACKET, front	1	26	192–121	SUCTION TUBE; aluminum	1
3	112–853	. CAP	2	27	156–589	UNION, swivel, 90°; 3/4 npt(f) x 3/4 npsm(f)	1
4	108–768	. CAPSCREW, hex hd; M8 x 1.25; 16 mm (5/8 in.)	2	28	157–785	UNION, swivel; cst; 3/4 npt(m) x 3/4 npsm(f)	1
5	113–761	. NUT, keps, hex; M8	2	29	238–635	BALL VALVE; 1/4 npt (mbe); cst	1
6	108–788	. WASHER, flat; 8 mm	2	33	206–994	THROAT SEAL LIQUID; 1 pint (0.5 liter); not shown	1
7▲	290–331	. LABEL, warning	1	34	238–909	GROUND WIRE AND CLAMP	1
8	106–062	. WHEEL	2	38	113–768	SCREW, socket; M5 x 0.8; 16 mm (5/8 in.) long	4
9	101–242	. RING, retaining	2	39	105–332	NUT, hex, self-locking; M5 x 0.8	4
10	104–811	. HUBCAP	2	41	113–769	VALVE, relief; 125 psi (0.86 MPa, 8.6 bar)	1
11	100–270	CAPSCREW, hex hd; 1/4–20 x 5/8 in. (16 mm) long	2	43	181–073	STRAINER, suction tube; 1/2 npt(f); sst	1
12	100–016	LOCKWASHER, spring; 1/4 in.	2	101	238–826	HOSE, fluid; nylon; 1/4 in. (6 mm) ID; 1/4 npsm (fbe) cst fittings; 24.6 ft (7.5 m) long	1
13	223–586	PUMP; President, 30:1 ratio; cst; <i>see manual 306–981</i>	1	102	162–453	NIPPLE; 1/4 npt x 1/4 npsm	1
16	239–060	FLUID FILTER; cst; <i>see manual 307–273</i>	1	103	239–082	HOSE, whip, fluid; nylon; 3/16 in. (5 mm) ID; 1/4 npsm (fbe); 39.4 in. (1.0 m) long; cst fittings	1
17	155–665	UNION, swivel; 3/8 npt(m) x 3/8 npsm(f)	1	104	189–018	SWIVEL, gun	1
18	156–850	NIPPLE; 3/8 npt; cst	1	106	235–464	AIRLESS SPRAY GUN, with GHD–617 tip; <i>see manual 308–236</i>	1
19	238–980	AIR REGULATOR KIT; <i>see manual 308–686</i>	1	107	GHD–xxx	SPRAY TIP, HD RAC; customer's choice	1
20	158–256	UNION, swivel; cst; 1/2 npt(m) x 3/8 npsm(f)	1				
21	113–777	TEE; 3/8 npt(f) run x 3/8 npt(m) branch	1				
22	113–875	COUPLER, air line; 3/8 npt(m)	1				
23	113–874	COUPLER, air line; 3/8 npt(f)	1				
24	239–061	HOSE, air; 3/8 in. (10 mm) ID; 3/8 npt (mbe); 22 in. (559 mm) long	1				

▲ Replacement Danger and Warning labels, tags and cards are available at no cost.

This label is also available in the following languages:

German (Part No. 290–396)

French (Part No. 290–397)

Spanish (Part No. 290–398).

## Manual Change Summary

Assembly Changed	Part Status	Ref. No.	Part No.	Name
231–920	Old	3	107–310	Cap
	New	3	112–853	Cap
	Deleted	42	155–494	Union (now part of 238–980 Kit, item 19)
	Old	43	187–146	Strainer
	New	43	181–073	Strainer
	Old	107	221–xxx	Spray Tip
	New	107	GHD–xxx	Spray Tip

# Technical Data

Category	Data
Maximum fluid working pressure	3000 psi (21 MPa, 210 bar)
Maximum air input pressure	100 psi (0.7 MPa, 7 bar)
Ratio	30:1
Maximum operating temperature	120°F (50°C)
Wetted parts	<i>Pump:</i> See pump manual 306–981 <i>Spray Gun:</i> See gun manual 308–236 <i>Fluid Filter:</i> See filter manual 307–273 <i>Fluid Hoses:</i> Nylon

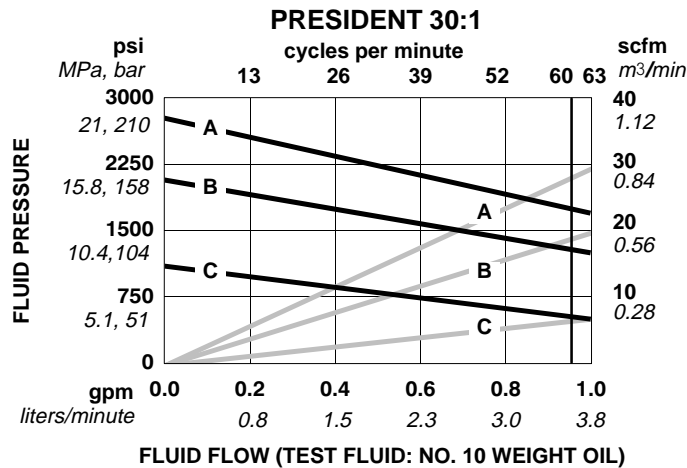
## Performance Charts

**To find Fluid Outlet Pressure** (psi/MPa/bar) at a specific fluid flow (lpm/gpm) and operating air pressure (psi/MPa/bar):

1. Locate desired flow along bottom of chart.
2. Follow vertical line up to intersection with selected fluid outlet pressure curve (black). Follow left to scale to read fluid outlet pressure.

**To find Pump Air Consumption** (m<sup>3</sup>/min or scfm) at a specific fluid flow (lpm/gpm) and air pressure (psi/MPa/bar):

1. Locate desired flow along bottom of chart.
2. Read vertical line up to intersection with selected air consumption curve (gray). Follow right to scale to read air consumption.



# Technical Data

## Sound Pressure Levels (dBa) (measured at 1 meter from unit)

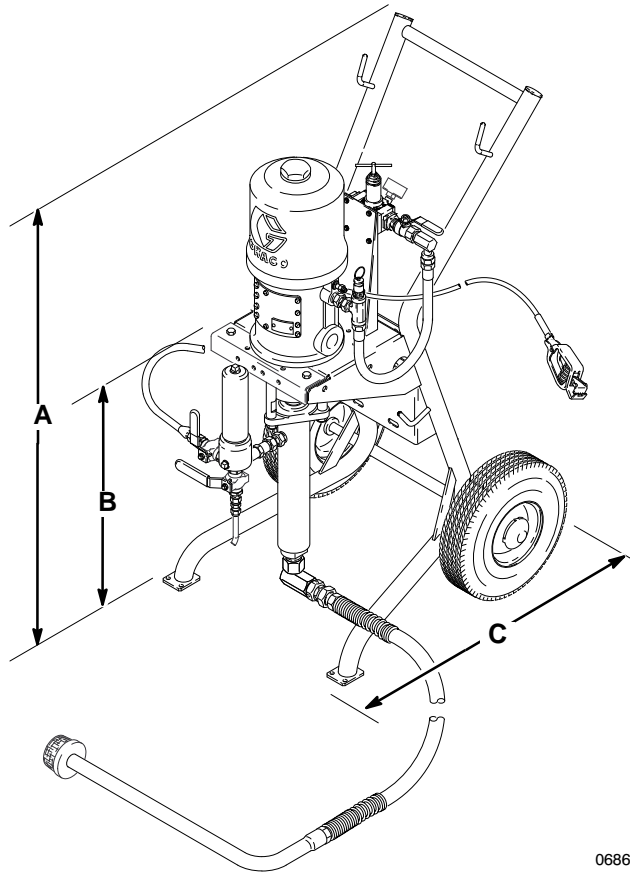
Air Motor	Input Air Pressures at 15 cycles per minute		
	40 psi (0.28 MPa, 2.8 bar)	70 psi (0.48 MPa, 4.8 bar)	100 psi (0.7 MPa, 7 bar)
President	73.6 dB(A)	78.34 dB(A)	80.85 dB(A)

## Sound Power Levels (dBa) (tested in accordance with ISO 9614-2)

Air Motor	Input Air Pressures at 15 cycles per minute		
	40 psi (0.28 MPa, 2.8 bar)	70 psi (0.48 MPa, 4.8 bar)	100 psi (0.7 MPa, 7 bar)
President	87.4 dB(A)	92.09 dB(A)	94.62 dB(A)

# Dimensions

A	B	C	Width Across Wheels	Weight
38.5 in. (978 mm)	22.5 in. (572 mm)	21 in. (534 mm)	20 in. (508 mm)	85 lb (39 kg)



06862

# Graco Warranty and Limitation of Liability

Graco warrants all equipment listed in this manual which is manufactured by Graco and bearing its name to be free from defects in material and workmanship on the date of sale by an authorized Graco distributor to the original purchaser for use. With the exception of any special extended or limited warranty published by Graco, Graco will, for a period of twelve months from the date of sale, repair or replace any part of the equipment determined by Graco to be defective. This warranty applies only when the equipment is installed, operated and maintained in accordance with Graco's written recommendations.

This warranty does not cover, and Graco shall not be liable for general wear and tear, or any malfunction, damage or wear caused by faulty installation, misapplication, abrasion, corrosion, inadequate or improper maintenance, negligence, accident, tampering, or substitution of non-Graco component parts. Nor shall Graco be liable for malfunction, damage or wear caused by the incompatibility of Graco equipment with structures, accessories, equipment or materials not supplied by Graco, or the improper design, manufacture, installation, operation or maintenance of structures, accessories, equipment or materials not supplied by Graco.

This warranty is conditioned upon the prepaid return of the equipment claimed to be defective to an authorized Graco distributor for verification of the claimed defect. If the claimed defect is verified, Graco will repair or replace free of charge any defective parts. The equipment will be returned to the original purchaser transportation prepaid. If inspection of the equipment does not disclose any defect in material or workmanship, repairs will be made at a reasonable charge, which charges may include the costs of parts, labor, and transportation.

Graco's sole obligation and buyer's sole remedy for any breach of warranty shall be as set forth above. The buyer agrees that no other remedy (including, but not limited to, incidental or consequential damages for lost profits, lost sales, injury to person or property, or any other incidental or consequential loss) shall be available. Any action for breach of warranty must be brought within two (2) years of the date of sale.

**GRACO MAKES NO WARRANTY, AND DISCLAIMS ALL IMPLIED WARRANTIES OF MERCHANTABILITY AND FITNESS FOR A PARTICULAR PURPOSE IN CONNECTION WITH ACCESSORIES, EQUIPMENT, MATERIALS OR COMPONENTS SOLD BUT NOT MANUFACTURED BY GRACO.** These items sold, but not manufactured by Graco (such as electric motors, gas engines, switches, hose, etc.), are subject to the warranty, if any, of their manufacturer. Graco will provide purchaser with reasonable assistance in making any claim for breach of these warranties.

In no event will Graco be liable for indirect, incidental, special or consequential damages resulting from Graco supplying equipment hereunder, or the furnishing, performance, or use of any products or other goods sold hereto, whether due to a breach of contract, breach of warranty, the negligence of Graco, or otherwise.

## **FOR GRACO CANADA CUSTOMERS**

The parties acknowledge that they have required that the present document, as well as all documents, notices and legal proceedings entered into, given or instituted pursuant hereto or relating directly or indirectly hereto, be drawn up in English. Les parties reconnaissent avoir convenu que la rédaction du présente document sera en Anglais, ainsi que tous documents, avis et procédures judiciaires exécutés, donnés ou intentés à la suite de ou en rapport, directement ou indirectement, avec les procédures concernées.

## Graco Phone Number

**TO PLACE AN ORDER**, contact your Graco distributor, or call this number to identify the distributor closest to you:  
**1-800-367-4023 Toll Free**

*All written and visual data contained in this document reflects the latest product information available at the time of publication.  
Graco reserves the right to make changes at any time without notice.*

**Sales Offices:** Minneapolis, Detroit, Los Angeles  
**Foreign Offices:** Belgium, Canada, England, Korea, France, Germany, Hong Kong, Japan

**GRACO INC. P.O. BOX 1441 MINNEAPOLIS, MN 55440-1441**

PRINTED IN U.S.A. 308-700 January 1997 Revised July 1997