



This manual contains important warnings and information.  
**READ AND KEEP FOR REFERENCE.**

INSTRUCTIONS

*First choice when quality counts.™*

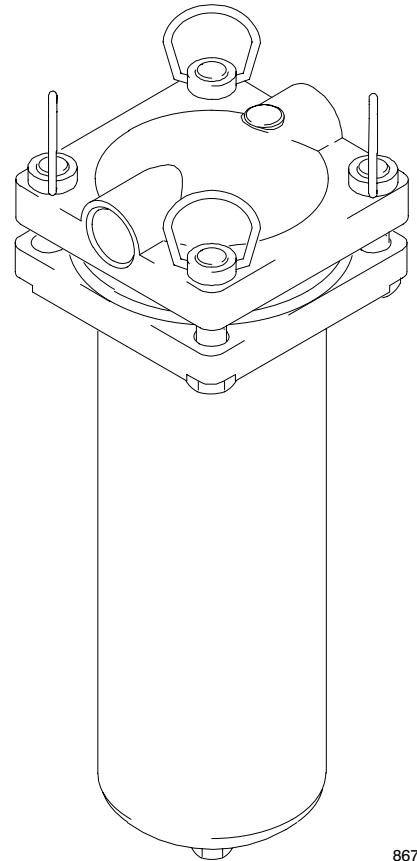
**LOW PRESSURE**

## **Stainless Steel Fluid Filter**

*300 psi (2.1 MPa, 21 bar) Maximum Working Pressure*

**Model 244053**

With 60 mesh (230 micron) element



8676A

# Symbols

## Warning Symbol



This symbol alerts you to the possibility of serious injury or death if you do not follow the instructions.

## Caution Symbol



This symbol alerts you to the possibility of damage to or destruction of equipment if you do not follow the instructions.

## WARNING



INSTRUCTIONS

### EQUIPMENT MISUSE HAZARD

Equipment misuse can cause the equipment to rupture or malfunction and result in serious injury.

- This equipment is for professional use only.
- Read all instruction manuals, tags, and labels before operating the equipment.
- Use the equipment only for its intended purpose. If you are uncertain about usage, call your Graco distributor.
- Do not alter or modify this equipment. Use only genuine Graco parts and accessories.
- Check equipment daily. Repair or replace worn or damaged parts immediately.
- Do not exceed the maximum working pressure stated on the equipment or in the **Technical Data** section for your equipment. Do not exceed the maximum working pressure of the lowest rated component in your system.
- Use fluids and solvents which are compatible with the equipment wetted parts. Refer to the **Technical Data** section of all equipment manuals. Read the fluid and solvent manufacturer's warnings.
- Comply with all applicable local, state, and national fire, electrical, and safety regulations.



### PRESSURIZED EQUIPMENT HAZARD

Spray from the gun, hose leaks, or ruptured components can splash fluid in the eyes or on the skin and cause serious injury.

- Relieve the pressure before removing, cleaning, or servicing the equipment.
- Do not stop or deflect leaks with your hand, body, glove, or rag.
- Tighten all fluid connections before operating the equipment.
- Check the hoses, tubes, and couplings daily. Replace worn, damaged, or loose parts immediately. Permanently coupled hoses cannot be repaired; replace the entire hose.

# Service

Install a fluid drain valve in the bottom of the filter bowl (6) to relieve fluid pressure and drain the filter.

Establish a preventive maintenance schedule and clean the filter on a regular schedule to maximize filtering efficiency and to avoid pressure drop.

**⚠ WARNING**

**PRESSURIZED EQUIPMENT HAZARD**  
 Before removing, cleaning, or servicing the filter, close the inlet and outlet ball valves and open the fluid drain valve to relieve pressure.

Relieve the pressure. See the **Warning** above.

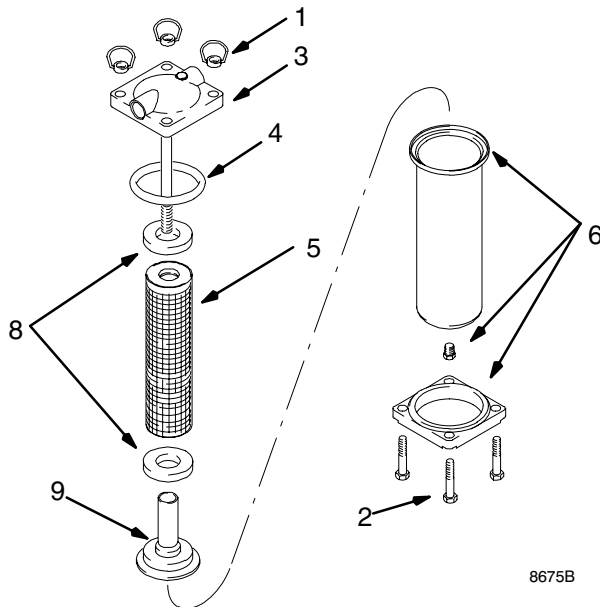
Support the bowl (6) with your hands while unscrewing the four eye nuts (1) and bolts (2). Lower the bowl away from the filter housing (3). Unscrew the seat plate (9) to remove the filter element (5). Remove the o-ring (4), filter element (5), and gaskets (7).

If fluid leaks between the filter housing (3) and the bowl (6), replace the o-ring (4).

Clean the bowl and element with a compatible solvent before the fluid dries. Do not use a wire brush or sharp object to clean. See the **Parts** list for filter element replacement kits.

**NOTE:** Clean the filter element (5) with a small paint brush. Blow out lodged particles with air, and inspect for damage.

Reassemble the filter in the reverse order.



8675B

# Parts

Ref. No.	Part No.	Description	Qty.
1	114769	NUT, eye; 1/2 x 13; hot galvanized	4
2	114766	BOLT, cap, hex head; 1/2 x 2.5" (62 mm) long	4
3	116177	HOUSING, filter	1
4	116183	O-RING, filter; PTFE encapsulated Viton	1
5	116179	ELEMENT KIT, filter; 60 mesh (230 micron) sst element	1
6	116176	BOWL, filter; includes drain plug and lockring	1
8	116188	GASKET, PTFE	2
9	116182	PLATE, seat	2

## Filter Element Kits (sst)

Part No.	Element Size mesh (micron)
116178	30 (540)
116179 (Standard)	60 (230)
116180	100 (140)
116181	200 (74)

# Technical Data

Category	Data
Dimensions	4.375" (111 mm) Wide; 13.0" (330 mm) High
Inlet and Outlet Port Size	3/4 npt(f)
Maximum Working Pressure	300 psi (2.1 MPa, 21 bar)
Wetted Parts	304 and 316 Series Stainless Steel; PTFE

# Graco Standard Warranty

Graco warrants all equipment manufactured by Graco and bearing its name to be free from defects in material and workmanship on the date of sale by an authorized Graco distributor to the original purchaser for use. With the exception of any special, extended, or limited warranty published by Graco, Graco will, for a period of twelve months from the date of sale, repair or replace any part of the equipment determined by Graco to be defective. This warranty applies only when the equipment is installed, operated and maintained in accordance with Graco's written recommendations.

This warranty does not cover, and Graco shall not be liable for general wear and tear, or any malfunction, damage or wear caused by faulty installation, misapplication, abrasion, corrosion, inadequate or improper maintenance, negligence, accident, tampering, or substitution of non-Graco component parts. Nor shall Graco be liable for malfunction, damage or wear caused by the incompatibility of Graco equipment with structures, accessories, equipment or materials not supplied by Graco, or the improper design, manufacture, installation, operation or maintenance of structures, accessories, equipment or materials not supplied by Graco.

This warranty is conditioned upon the prepaid return of the equipment claimed to be defective to an authorized Graco distributor for verification of the claimed defect. If the claimed defect is verified, Graco will repair or replace free of charge any defective parts. The equipment will be returned to the original purchaser transportation prepaid. If inspection of the equipment does not disclose any defect in material or workmanship, repairs will be made at a reasonable charge, which charges may include the costs of parts, labor, and transportation.

**THIS WARRANTY IS EXCLUSIVE, AND IS IN LIEU OF ANY OTHER WARRANTIES, EXPRESS OR IMPLIED, INCLUDING BUT NOT LIMITED TO WARRANTY OF MERCHANTABILITY OR WARRANTY OF FITNESS FOR A PARTICULAR PURPOSE.**

Graco's sole obligation and buyer's sole remedy for any breach of warranty shall be as set forth above. The buyer agrees that no other remedy (including, but not limited to, incidental or consequential damages for lost profits, lost sales, injury to person or property, or any other incidental or consequential loss) shall be available. Any action for breach of warranty must be brought within two (2) years of the date of sale.

Graco makes no warranty, and disclaims all implied warranties of merchantability and fitness for a particular purpose in connection with accessories, equipment, materials or components sold but not manufactured by Graco. These items sold, but not manufactured by Graco (such as electric motors, switches, hose, etc.), are subject to the warranty, if any, of their manufacturer. Graco will provide purchaser with reasonable assistance in making any claim for breach of these warranties.

In no event will Graco be liable for indirect, incidental, special or consequential damages resulting from Graco supplying equipment hereunder, or the furnishing, performance, or use of any products or other goods sold hereto, whether due to a breach of contract, breach of warranty, the negligence of Graco, or otherwise.

## **FOR GRACO CANADA CUSTOMERS**

The parties acknowledge that they have required that the present document, as well as all documents, notices and legal proceedings entered into, given or instituted pursuant hereto or relating directly or indirectly hereto, be drawn up in English. Les parties reconnaissent avoir convenu que la rédaction du présente document sera en Anglais, ainsi que tous documents, avis et procédures judiciaires exécutés, donnés ou intentés à la suite de ou en rapport, directement ou indirectement, avec les procédures concernées.

## Graco Phone Number

**TO PLACE AN ORDER**, contact your Graco distributor, or call this number to identify the distributor closest to you:

**1-800-367-4023 Toll Free**

**612-623-6921**

**612-378-3505 Fax**

*All written and visual data contained in this document reflects the latest product information available at the time of publication.  
Graco reserves the right to make changes at any time without notice.*

**Sales Offices:** Minneapolis, Detroit

**International Offices:** Belgium, Korea, Hong Kong, Japan

**GRACO INC. P.O. BOX 1441 MINNEAPOLIS, MN 55440-1441**

**<http://www.graco.com>**

PRINTED IN U.S.A. 308918 September 1998 Revised February 2001