

Instructions – Parts List



ALPHA™ AND ALPHA™ PLUS AA SPRAY GUNS 241619 Repair Kit

309020C



Important Safety Instructions.

Read all warnings and instructions in this manual.
Save these instructions.

Installation

Disassembly

WARNING



INJECTION HAZARD To reduce the risk of a fluid injection injury, follow the **Pressure Relief Procedure** in gun manual before checking or servicing any of the system equipment and whenever you are instructed to relieve pressure.

1. Relieve the pressure.
2. Disassemble the gun as explained in the gun manual.

Reassembly

1. See the appropriate drawing on the following pages.
2. Reassemble the gun as explained in the gun manual.

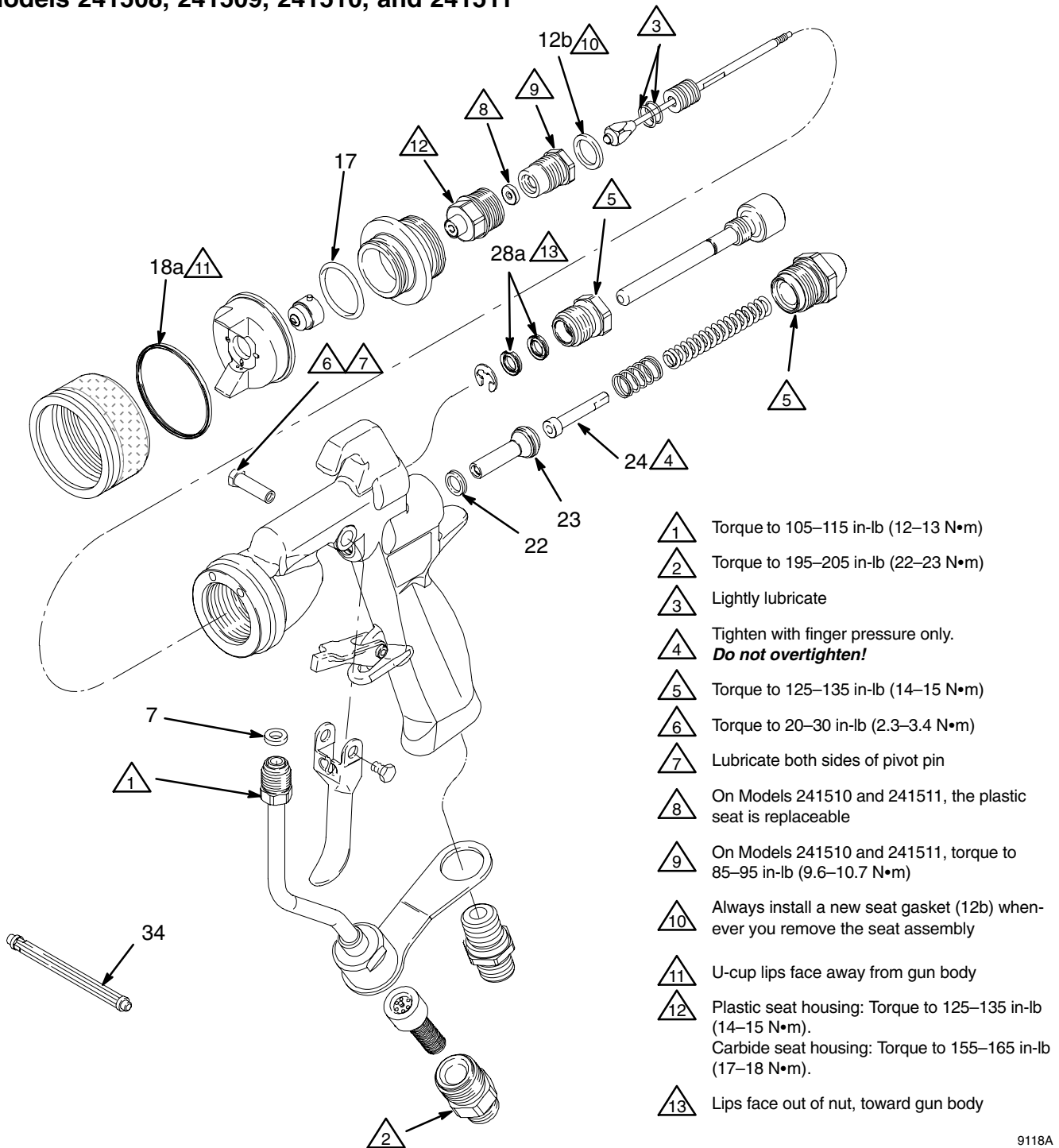
Kit Parts List

Ref. No.	Part No.	Description	Qty.
7	115133	GASKET, tube; acetal	1
12b	115134	GASKET, seat; acetal	1
17	107079	O-RING; PTFE	1
18a	192760	U-CUP	1
22	188493	U-CUP; UHMWPE	1
23	241503	AIR VALVE ASSEMBLY	1
24	194563	EXTENSION, needle	1
28a	188493	U-CUP; UHMWPE	2
34	192282	TOOL, seal installation	1

PROVEN QUALITY. LEADING TECHNOLOGY.

Installation

Alpha AA Spray Gun,
Models 241508, 241509, 241510, and 241511



- 1 Torque to 105–115 in-lb (12–13 N•m)
- 2 Torque to 195–205 in-lb (22–23 N•m)
- 3 Lightly lubricate
- 4 Tighten with finger pressure only.
Do not overtighten!
- 5 Torque to 125–135 in-lb (14–15 N•m)
- 6 Torque to 20–30 in-lb (2.3–3.4 N•m)
- 7 Lubricate both sides of pivot pin
- 8 On Models 241510 and 241511, the plastic seat is replaceable
- 9 On Models 241510 and 241511, torque to 85–95 in-lb (9.6–10.7 N•m)
- 10 Always install a new seat gasket (12b) whenever you remove the seat assembly
- 11 U-cup lips face away from gun body
- 12 Plastic seat housing: Torque to 125–135 in-lb (14–15 N•m).
Carbide seat housing: Torque to 155–165 in-lb (17–18 N•m).
- 13 Lips face out of nut, toward gun body

9118A

Fig. 1

Installation

Alpha Plus AA Spray Gun,
Models 243573, 243574, 243575, 243576, and 243577

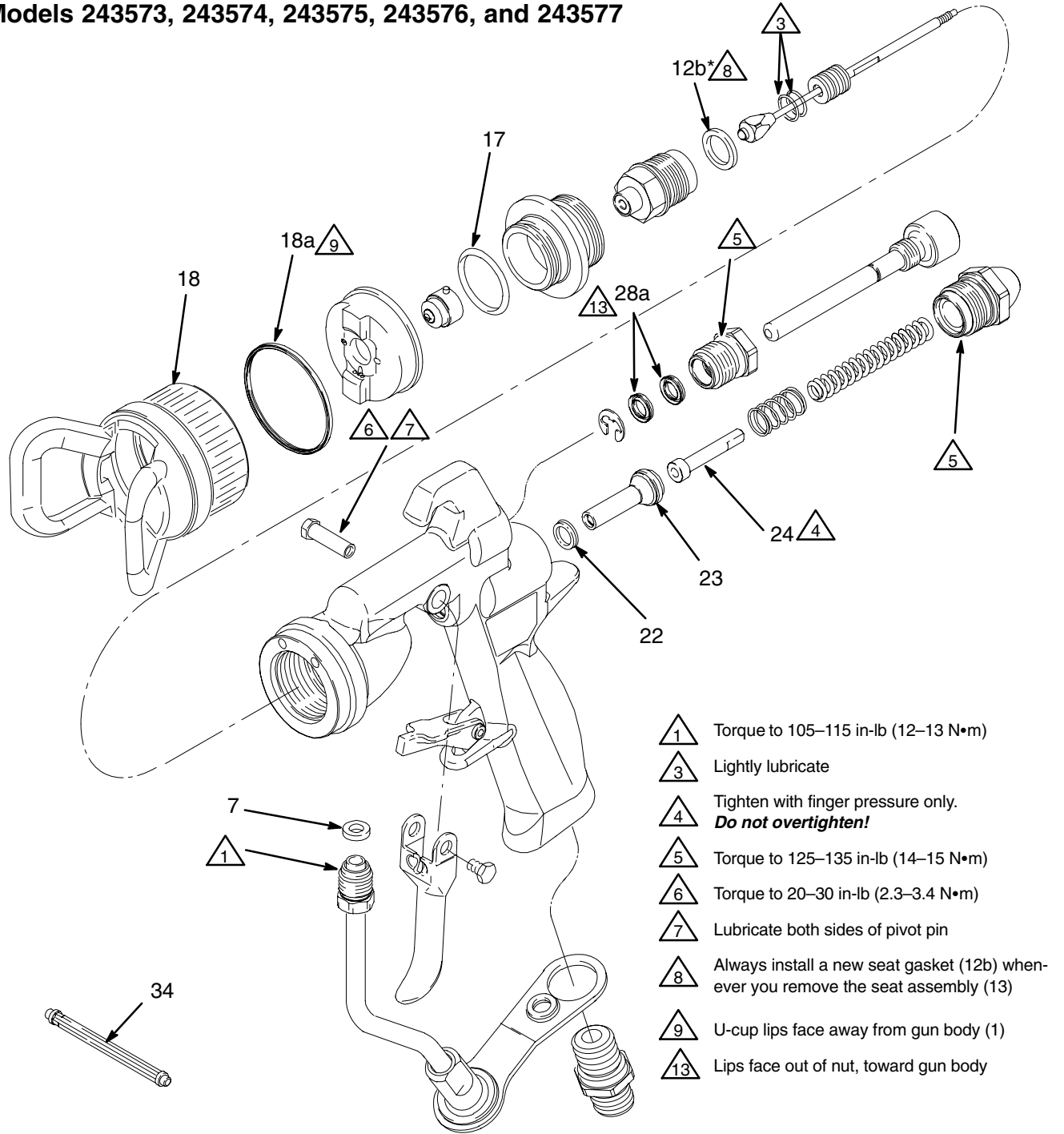


Fig. 2

T10390

Graco Standard Warranty

Graco warrants all equipment manufactured by Graco and bearing its name to be free from defects in material and workmanship on the date of sale to the original purchaser for use. With the exception of any special, extended, or limited warranty published by Graco, Graco will, for a period of twelve months from the date of sale, repair or replace any part of the equipment determined by Graco to be defective. This warranty applies only when the equipment is installed, operated and maintained in accordance with Graco's written recommendations.

This warranty does not cover, and Graco shall not be liable for general wear and tear, or any malfunction, damage or wear caused by faulty installation, misapplication, abrasion, corrosion, inadequate or improper maintenance, negligence, accident, tampering, or substitution of non-Graco component parts. Nor shall Graco be liable for malfunction, damage or wear caused by the incompatibility of Graco equipment with structures, accessories, equipment or materials not supplied by Graco, or the improper design, manufacture, installation, operation or maintenance of structures, accessories, equipment or materials not supplied by Graco.

This warranty is conditioned upon the prepaid return of the equipment claimed to be defective to an authorized Graco distributor for verification of the claimed defect. If the claimed defect is verified, Graco will repair or replace free of charge any defective parts. The equipment will be returned to the original purchaser transportation prepaid. If inspection of the equipment does not disclose any defect in material or workmanship, repairs will be made at a reasonable charge, which charges may include the costs of parts, labor, and transportation.

THIS WARRANTY IS EXCLUSIVE, AND IS IN LIEU OF ANY OTHER WARRANTIES, EXPRESS OR IMPLIED, INCLUDING BUT NOT LIMITED TO WARRANTY OF MERCHANTABILITY OR WARRANTY OF FITNESS FOR A PARTICULAR PURPOSE.

Graco's sole obligation and buyer's sole remedy for any breach of warranty shall be as set forth above. The buyer agrees that no other remedy (including, but not limited to, incidental or consequential damages for lost profits, lost sales, injury to person or property, or any other incidental or consequential loss) shall be available. Any action for breach of warranty must be brought within two (2) years of the date of sale.

Graco makes no warranty, and disclaims all implied warranties of merchantability and fitness for a particular purpose in connection with accessories, equipment, materials or components sold but not manufactured by Graco. These items sold, but not manufactured by Graco (such as electric motors, switches, hose, etc.), are subject to the warranty, if any, of their manufacturer. Graco will provide purchaser with reasonable assistance in making any claim for breach of these warranties.

In no event will Graco be liable for indirect, incidental, special or consequential damages resulting from Graco supplying equipment hereunder, or the furnishing, performance, or use of any products or other goods sold hereto, whether due to a breach of contract, breach of warranty, the negligence of Graco, or otherwise.

FOR GRACO CANADA CUSTOMERS

The parties acknowledge that they have required that the present document, as well as all documents, notices and legal proceedings entered into, given or instituted pursuant hereto or relating directly or indirectly hereto, be drawn up in English. Les parties reconnaissent avoir convenu que la rédaction du présente document sera en Anglais, ainsi que tous documents, avis et procédures judiciaires exécutés, donnés ou intentés à la suite de ou en rapport, directement ou indirectement, avec les procédures concernées.

Graco Phone Number

TO PLACE AN ORDER, contact your Graco distributor, or call this number to identify the distributor closest to you:
1-800-367-4023 Toll Free

*All written and visual data contained in this document reflects the latest product information available at the time of publication.
Graco reserves the right to make changes at any time without notice.*

MM 309020

Graco Headquarters: Minneapolis
International Offices: Belgium, Korea, China, Japan
GRACO INC. P.O. BOX 1441 MINNEAPOLIS, MN 55440-1441
www.graco.com

PRINTED IN U.S.A. 309020 06/1999 Revised 04/2005