

**KEEP FOR REFERENCE.**  
Read this and all related manuals for important warnings and instructions.

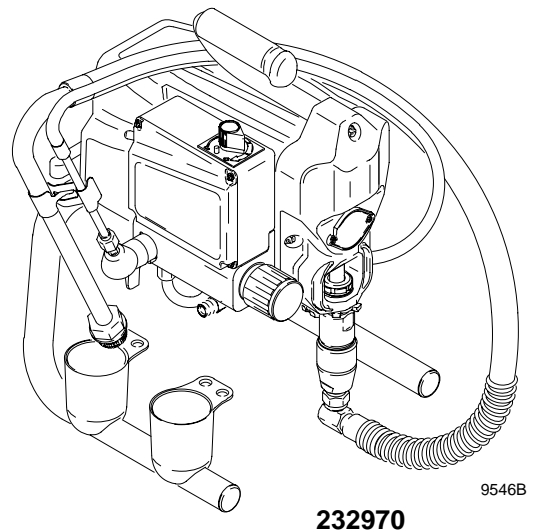
**INSTRUCTIONS**

## Performance Pro 395/495™ Airless Paint Sprayers







3000 psi (207 bar, 20.7 MPa) Maximum Working Pressure

### 120 VAC

Type	Series	Stand	Hi-Boy	FTx Gun
Performance Pro 395	B	232970		243285
Performance Pro 495	B	232990	232992	



### Related Manuals

-  ..... 309070
-  ..... 309049
-  ..... 309054
-  ..... 309050
-  ..... 309053
-  ..... 309055

## Table of Contents

232992 Sprayer .....	2
232970 and 232990 Sprayers .....	4
Pressure Control .....	6
Wiring Diagram .....	7
Phone Number .....	8



# Parts List – Sprayer

## Performance Pro 495™

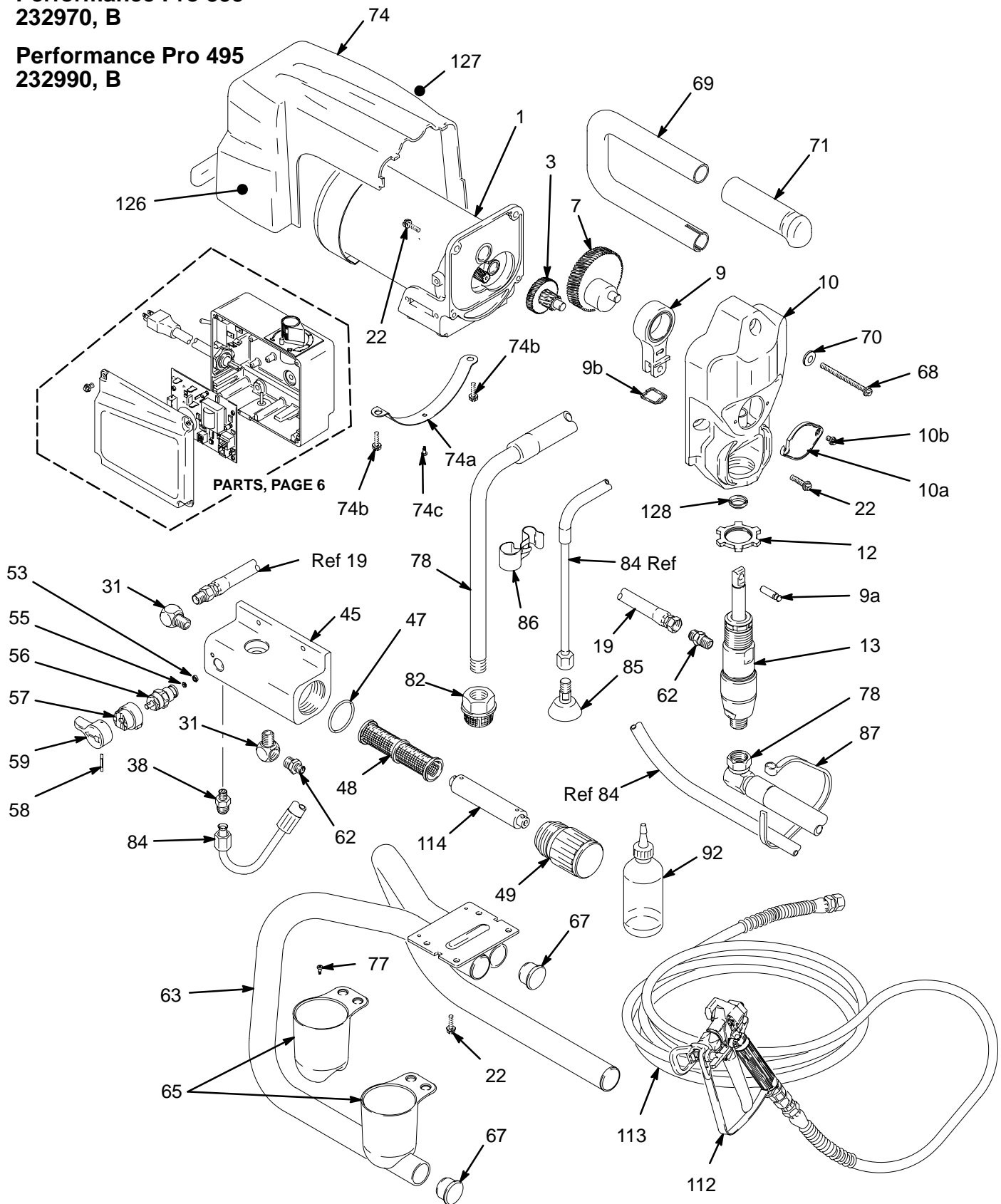
### 232992, B

REF NO.	PART NO.	DESCRIPTION	QTY	REF NO.	PART NO.	DESCRIPTION	QTY
1	242012*	<b>MOTOR, 120 Vac</b>	1	71	192027	SLEEVE, cart	2
3	243219	<b>GEAR, combination</b>	1	72	111590	BUTTON, snap	2
7	243218	<b>CRANK SHAFT</b>	1	73	183350	WASHER	2
9	243221	<b>CONNECTING ROD</b> includes 9a and 9b	1	74	243216	SHROUD, motor includes 74a, 74b, 74c, 126 and 127	1
9a	195175	PIN, pump	1	74a	195159	BRACKET, shroud	1
9b	195512	RETAINER, pin	1	74b	114531	SCREW, slot hd, hex, washer hd	2
10	243220	<b>DRIVE HOUSING</b> includes 10a and 10b	1	74c	115509	SCREW, mach, pnhd, self-drill	1
10a	195099	COVER	1	78	195489	TUBE, suction, intake	1
10b	115492	SCREW	6	79	244042	HOSE, drain, <i>Includes 85, 86</i>	1
12	195150	NUT, jam, pump	1	82	183770	STRAINER	1
13	243183	<b>PUMP</b> Manual 309053	1	85	241920	DEFLECTOR, threaded	1
14	195497	HOOK, pail	1	86	195696	CLIP, spring	1
19	241926	HOSE, coupled, high pressure	1	88	106062	WHEEL, semi-pneumatic	2
22	115495	SCREW, slot hd, hex, washer hd	13	89	101242	RING, retaining, external	2
31	195847	ELBOW, 90° street	2	90	104811	CAP, hub	2
38	116150	FITTING, adapter	1	92	206994	FLUID, TSL, 8 oz	1
45	195157	HOUSING, filter	1	105	111483	CLAMP, cable	1
47	104361	O-RING	1	106	103473	STRAP, tie, wire	1
48	243080†	FILTER, fluid, 60 mesh	1	112	243285	GUN, contractor, FTx (515 RAC V tip) Manual 309054	1
49	195139	CAP, filter	1	113	240794	HOSE, coupled, 1/4 in. x 50 ft (15 m)	1
53	111699	GASKET, seat, valve	1	114	196773	FILTER INSERT	1
55	187615	VALVE, seat	1	126	195833▲	LABEL, WARNING	1
56	235014	ASSY, drain valve includes 53 and 55	1	127	195805▲	LABEL, DANGER	1
57	224807	ASSY, cam, drain valve	1	128	115491	WIPER, rod	1
58	111600	PIN, grooved	1	129	115979	PLUG	1
59	187625	HANDLE, valve, drain	1	131	114423	SCREW, self tapping (for attaching tool box)	3
62	162453	NIPPLE, 1/4 npt(m) x 1/4 npsm	2	▲ <i>Extra Danger and Warning tags and labels available free.</i>			
63	241867	FRAME, cart	1	* Motor Brush Kit 236967 is available			
67	108691	PLUG, tubing	2	† Other filters available: 243081, 100 mesh; 243226, 200 mesh			
69	239998	HANDLE, cart	1				
70	110243	RING, retaining	2				

# Parts Drawing – Sprayer

Performance Pro 395  
232970, B

Performance Pro 495  
232990, B



# Parts List – Sprayer

Performance Pro 395  
232970, B

Performance Pro 495  
232990, B

REF NO.	PART NO.	DESCRIPTION	QTY	REF NO.	PART NO.	DESCRIPTION	QTY
1		<b>MOTOR, 120 Vac</b>		67	107310	PLUG, tubing	4
	242010*	<b>Performance Pro 395</b>	1	68	115506	SCREW, slot hd, hex, washer hd	1
	242012*	<b>Performance Pro 495</b>	1	69	195155	HANDLE, sprayer	1
3	243219	<b>GEAR, combination</b>	1	70	100016	WASHER, lock	1
7	243218	<b>CRANK SHAFT</b>	1	71	116139	GRIP, handle	1
9	243221	<b>CONNECTING ROD</b>	1	74	243216	SHROUD, motor	1
		includes 9a and 9b				includes 74a, 74b, 74c, 126 and 127	
9a	195175	PIN, pump	1	74a	195159	BRACKET, shroud	1
9b	195512	RETAINER, pin	1	74b	114531	SCREW,	2
10	243220	<b>DRIVE HOUSING</b>	1	74c	115509	SCREW, mach, pnhd, self-drill	1
		includes 10a and 10b		78	244353	HOSE, suction, flexible	1
10a	195099	COVER	1	82	235004	STRAINER	1
10b	115492	SCREW	6	83	109032	SCREW, mach, pnhd	4
12	195150	NUT, jam, pump	1	84	244040	HOSE, drain,	
13	243183	<b>PUMP</b>	1			<i>Includes 85, 86</i>	1
		Manual 309053		85	241920	DEFLECTOR, threaded	1
19	241926	HOSE, coupled, high pressure	1	86	195186	CLIP, spring	1
22	115495	SCREW, slot hd, hex, washer hd	8	87	114958	STRAP, tie	1
31	195847	ELBOW, 90° street	2	92	206994	FLUID, TSL, 8 oz	1
38	116150	FITTING, adapter	1	105	111483	CLAMP, cable	1
45	195157	HOUSING, filter	1	106	103473	STRAP, tie, wire	1
47	104361	O-RING	1	112	243285	GUN, contractor, FTx (515 RAC V tip)	1
48	243080	FILTER, fluid, 60 mesh	1			Manual 309054	
49	195139	CAP, filter	1	113	240794	HOSE, coupled, 1/4 in. x 50 ft (15 m)	1
53	111699	GASKET, seat, valve	1	114	196773	FILTER INSERT	1
55	187615	VALVE, seat	1	126	195833▲	LABEL, WARNING	1
56	235014	ASSY, drain valve	1	127	195805▲	LABEL, DANGER	1
		includes 53 and 55		128	115491	WIPER, rod	1
57	224807	ASSY, cam, drain valve	1				
58	111600	PIN, grooved	1				
59	187625	HANDLE, valve, drain	1				
62	162453	NIPPLE, 1/4 npt(m) x 1/4 npsm	2				
63	241870	FRAME, stand mount	1				
65	195177	HOLDER, TSL and suction tube	2				

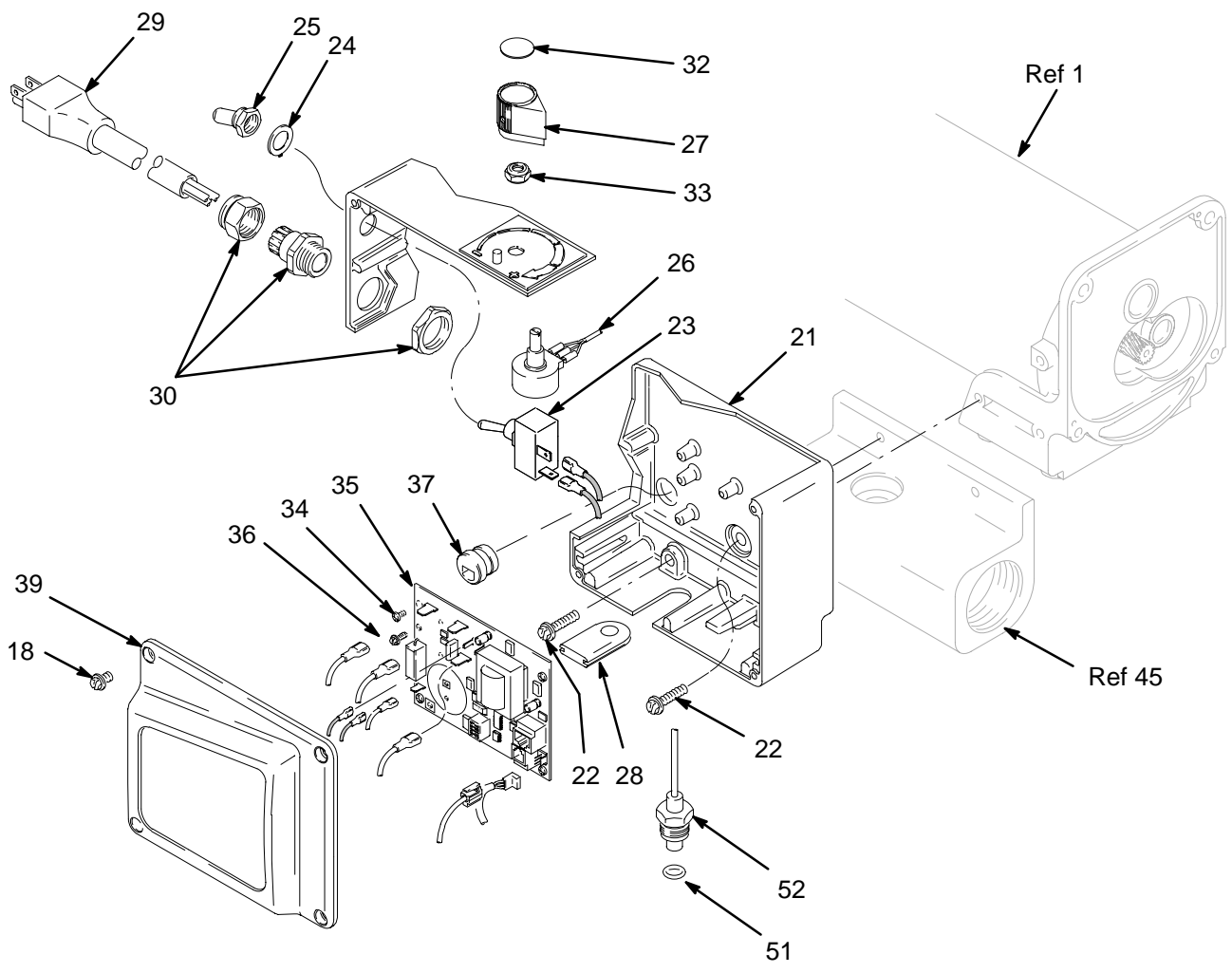
▲ *Extra Danger and Warning tags and labels available free.*

\* Motor Brush Kit 236967 is available

† Other filters available: 243081, 100 mesh;  
243226, 200 mesh

# Parts Drawing – Pressure Control

Performance Pro 395/495



9537A

# Parts List – Pressure Control

## Performance Pro 395/495

REF NO.	PART NO.	DESCRIPTION	QTY	REF NO.	PART NO.	DESCRIPTION	QTY
18	115492	SCREW, slot hd., hex, washer hd	6	30	114421	BUSHING, strain relief	1
21	276539	HOUSING, control	1	32	193072	LABEL, control	1
22	115495	SCREW, slot hd, hex, washer hd	5	33	112382	NUT, shaft, sealing	1
23	195429	SWITCH, toggle	1	34	115498	SCREW, slot hd, hex, washer hd, GND	1
24	105658	RING, locking	1	35	241990	BOARD, control	1
25	195428	BOOT, toggle	1	36	115494	SCREW, 6–32 X 1/2, TAPTITE	5
26	236352	POTENTIOMETER, adjust, pressure	1	37	114689	BUSHING, strain relief	1
27	116167	KNOB, potentiometer	1	39	195147	COVER, control	1
28	195423	GROMMET, transducer	1	51	111457	O-RING	1
29		CORD SET, power		52	243222	TRANSDUCER, pressure control includes 51	1
	241729	Stand	1				
	241874	Hi-Boy	1	60	195866	WIRE, jumper	1

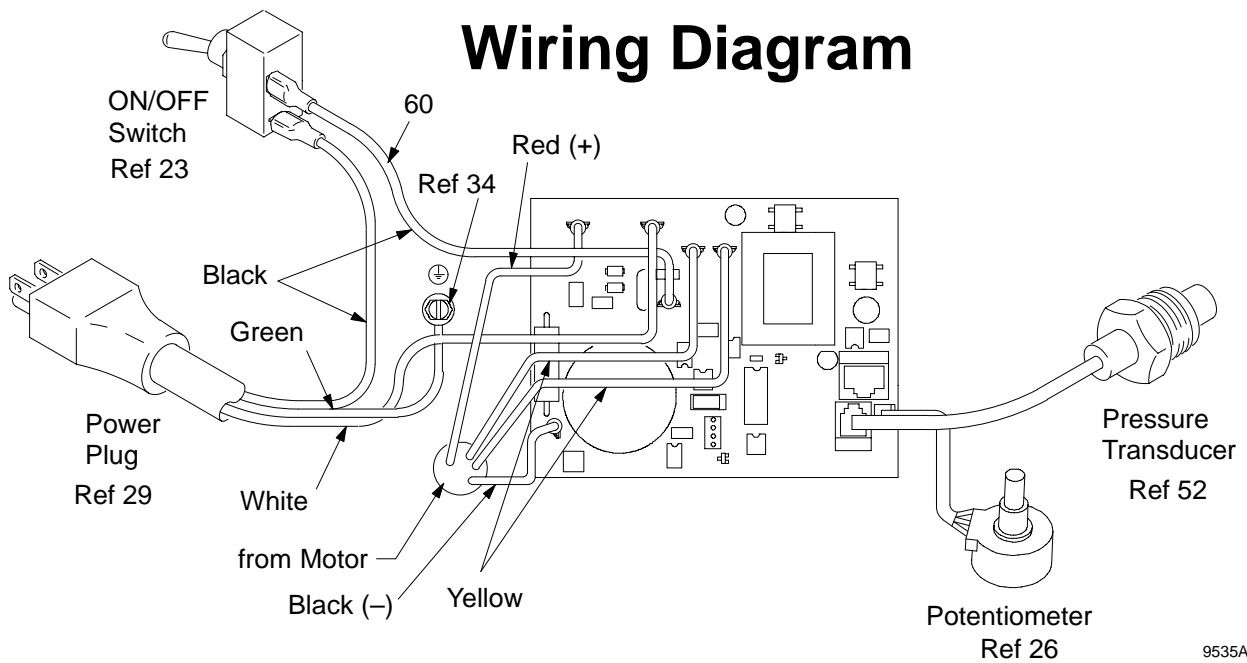


Fig. 1

9535A

# Phone Number

***TO PLACE AN ORDER OR FOR SERVICE***, contact your Graco distributor,  
or call **1-800-690-2894** to identify the nearest distributor.

*All written and visual data contained in this document reflect the latest product information available at the time of publication.  
Graco reserves the right to make changes at any time without notice.*

**Sales Offices:** Minneapolis, Detroit  
**International Offices:** Belgium, Korea, Hong Kong, Japan

**[www.graco.com](http://www.graco.com)**

PRINTED IN USA 309051 December 1999, Revised 2/2001