

395/495st Pro™ Airless Paint Sprayers

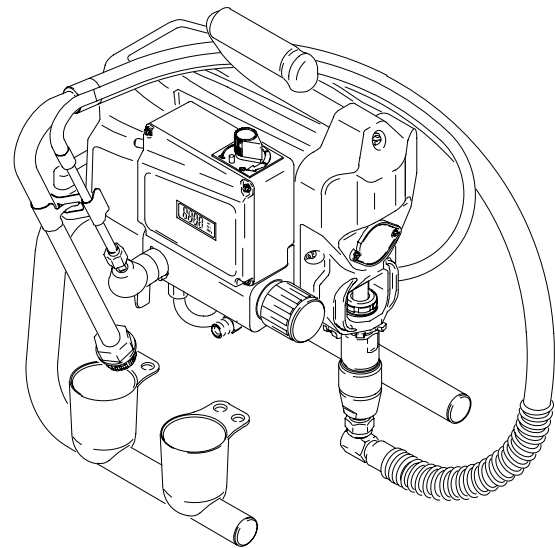
3000 psi (207 bar, 20.7 MPa) Maximum Working Pressure
 Pressão máxima de trabalho de 3000 psi (207 bar, 20.7 MPa)
 Pression maximale de service 3000 lb/po² (207 bar, 20.7 MPa)
 Presión máxima de operación 3000 psi (207 bar, 20.7 MPa)

220 – 240 VAC

Type	Series	Stand	Lo-boy	Hi-boy	Stand & Hopper
395st Pro™	B	232926			233034
495st Pro™	B	232946	232947	232948	

100 – 120 VAC

Type	Series	Stand	Lo-boy	Hi-boy	Stand & Hopper
395st Pro™	B	232923			233033
495st Pro™	B	232943	232944	232945	

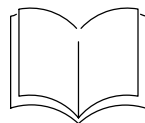


232926

T10129B

All models not available in all countries.
 Nem todos os modelos existem à disposição em todos os países.
 Tous les modèles ne sont pas disponibles dans tous les pays.
 Hay modelos que no se distribuyen en todos los países.

Related manuals
 Manuais associados
 Manuels afférents
 Manuales relacionados



..... 309052



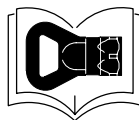
..... 309054



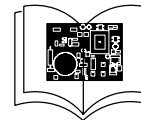
..... 309056



..... 309053



..... 309055



..... 309070

495st Pro 232948, B; 232945, B

REF NO.	PART NO.	DESCRIPTION	QTY	REF NO.	PART NO.	DESCRIPTION	QTY
1	242015*	240V	1	72	111590		2
	242012*	120V		73	183350		2
3	243219		1	74	243216	74 + 74a, 74b, 74c, 126 & 127	1
7	243218		1	74a	195159		1
9	243221	9 + 9a & 9b	1	74b	114531		2
9a	195175		1	74c	115843		1
9b	195512		1	78	195489		1
10	243220	10 + 10a & 10b	1	79	244042	79 + 85, 86	1
10a	195099		1	82	183770		1
10b	115492		6	83	109032		4
12	195150		1	85	241920		1
13	243183	Manual 309053	1	86	195696		1
14	195497		1	88	106062		2
19	241926		1	89	101242		2
22	115495		13	90	104811		2
31	195847		2	92	206994		1
38	116150		1	106	103473		1
45	195157		1	112	240794	Manual 309054	1
47	104361		1	113	243375	232948	1
48	243080†		1		243374	232945	1
49	195139		1	114	196773		1
53	111699		1	126	195792▲	232945	1
55	187615		1		195793▲	232948	1
56	235014	56 + 53 & 55	1	127	195806▲	232945	1
57	224807		1		195805▲	232948	1
58	111600		1	128	115491		1
59	187625		1	129	115979		1
62	162453		2				
63	241867		1				
67	108691		2				
69	239998		1				
70	110243		2				
71	192027		2				

▲Extra Danger and Warning tags and labels available free.

* Motor Brush Kit 236967 is available

† Other filters available: 243081, 100 mesh; 243226, 200 mesh

395/495st – 232926, 232923/232946, 232943, B

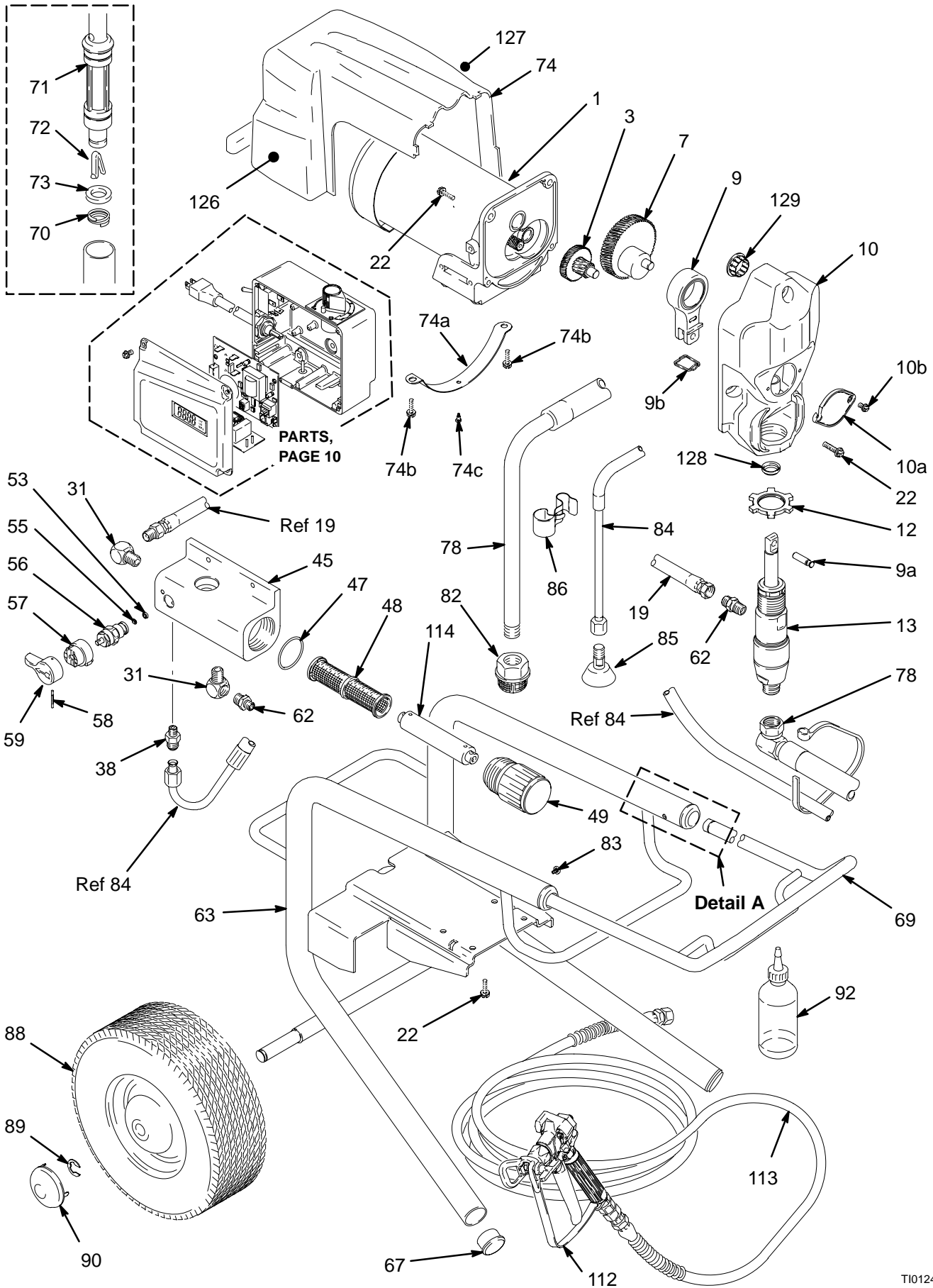
REF NO.	PART NO.	DESCRIPTION	QTY	REF NO.	PART NO.	DESCRIPTION	QTY
1	242014*	395st; 240V	1	67	107310		4
	242010*	395st; 120V		68	115506		1
	242015*	495st; 240V	1	69	195155		1
	242012*	495st; 120V		70	100016		1
3	243219		1	71	114659		1
7	243218		1	74	243216	74 + 74a, 74b, 74c, 126 & 127	1
9	243221	9 + 9a & 9b	1	74a	195159		1
9a	195175		1	74b	114531		2
9b	195512		1	74c	115843		1
10	243220	10 + 10a & 10b	1	77	115509		2
10a	195099		1	78	244353		1
10b	115492		6	82	235004		1
12	195150		1	84	244040	84 + 85, 86	1
13	243183	Manual 309053	1	85	241920		1
19	241926		1	86	195186		1
22	115495		8	92	206994		1
31	195847		2	106	103473		1
38	116150		1	112	240794	Manual 309054	1
45	195157		1	113	243375	232926, 232946	1
47	104361		1		243374	232923, 232943	1
48	24308		1	114	196773		1
49	195139		1	126	195793▲	232926, 232946	1
53	111699		1		195792▲	232923, 232943	1
55	187615		1	127	195805▲	232926, 232946	1
56	235014	56 + 53 & 55	1		195806▲	232923, 232943	1
57	224807		1	128	115491		1
58	111600		1				
59	187625		1				
62	162453		2				
63	241870		1				
65	195177		2				

▲Extra Danger and Warning tags and labels available free.

* Motor Brush Kit 236967 is available

† Other filters available: 243081, 100 mesh; 243226, 200 mesh

495st Pro – 232947, B; 232944 B



495st Pro – 232947, B; 232944, B

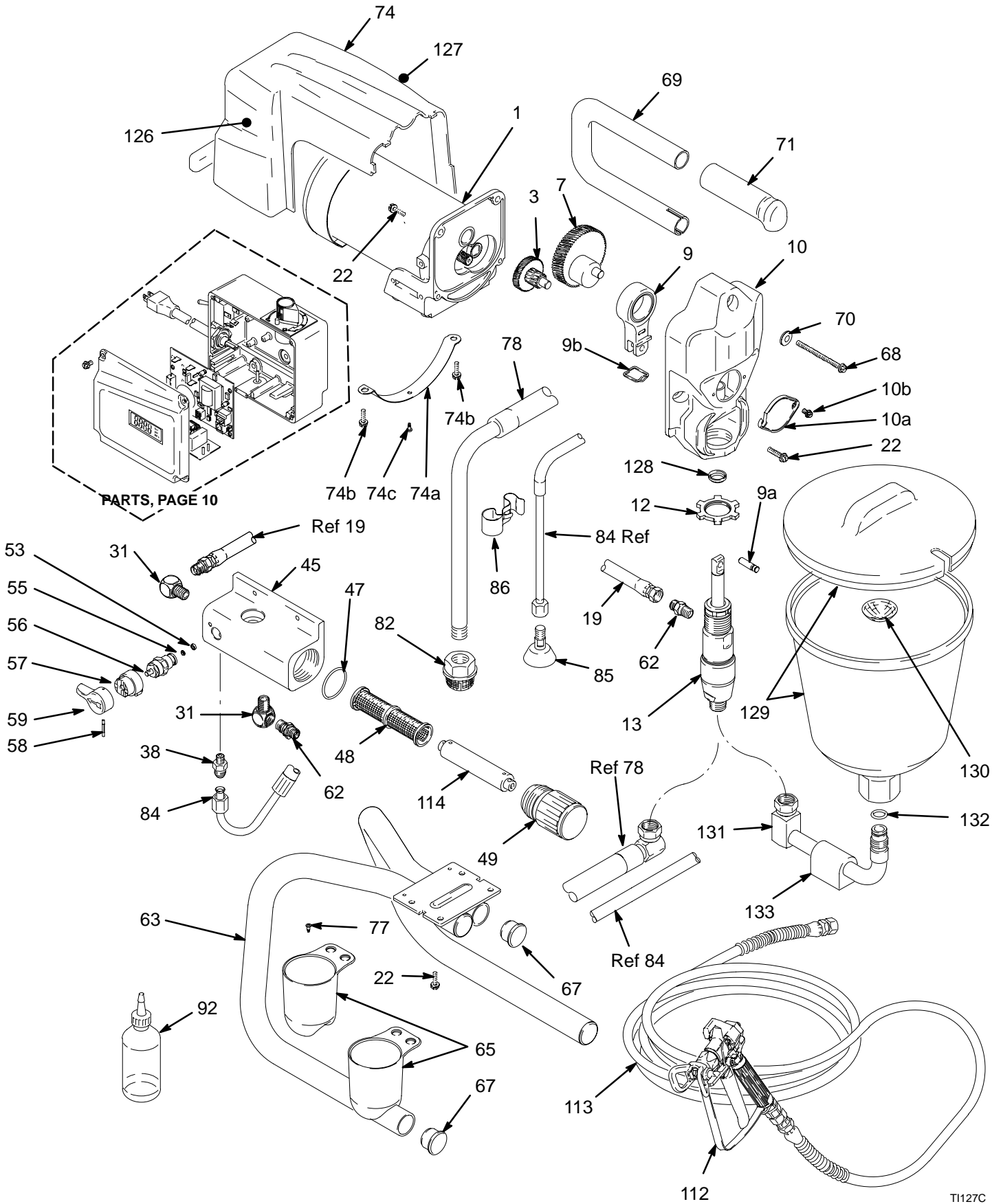
REF NO.	PART NO.	DESCRIPTION	QTY	REF NO.	PART NO.	DESCRIPTION	QTY
1	242015*	240V	1	71	195501		2
	242012*	120V		72	178565		1
3	243219		1	73	195673		2
7	243218		1	74	243216	74 + 74a, 74b, 74c, 126 & 127	1
9	243221	9 + 9a & 9b	1	74a	195159		1
9a	195175		1	74b	114531		2
9b	195512		1	74c	115843		1
10	243220	10 + 10a and 10b	1	78	243199		1
10a	195099		1	82	235004		1
10b	115492		6	83	109032		4
12	195150		1	84	244040	84 + 85, 86	1
13	243183	Manual 309053	1	85	241920		1
19	241926		1	86	195186		1
22	115495		8	88	195766		2
31	195847		2	89	101242		2
38	116150		1	90	104811		2
45	195157		1	92	206994		1
47	104361		1	112	240794	Manual 309054	1
48	243080		1	113	243375	232947	1
49	195139		1		243374	232944	1
53	111699		1	114	196773		1
55	187615		1	126	195792▲	232944	1
56	235014	56 + 53 & 55	1		195793▲	232947	1
57	224807		1	127	195806▲	232944	1
58	111600		1		195805▲	232947	1
59	187625		1	126	195833▲		1
62	162453		2				
63	241873		1				
67	107310		2				
69	243205		1				
70	103117		2				

▲ *Extra Danger and Warning tags and labels available free.*

* Motor Brush Kit 236967 is available

† Other filters available: 243081, 100 mesh; 243226, 200 mesh

395st/Hopper – 233033, B; 233034, B



395st/Hopper – 233033, B; 233034, B

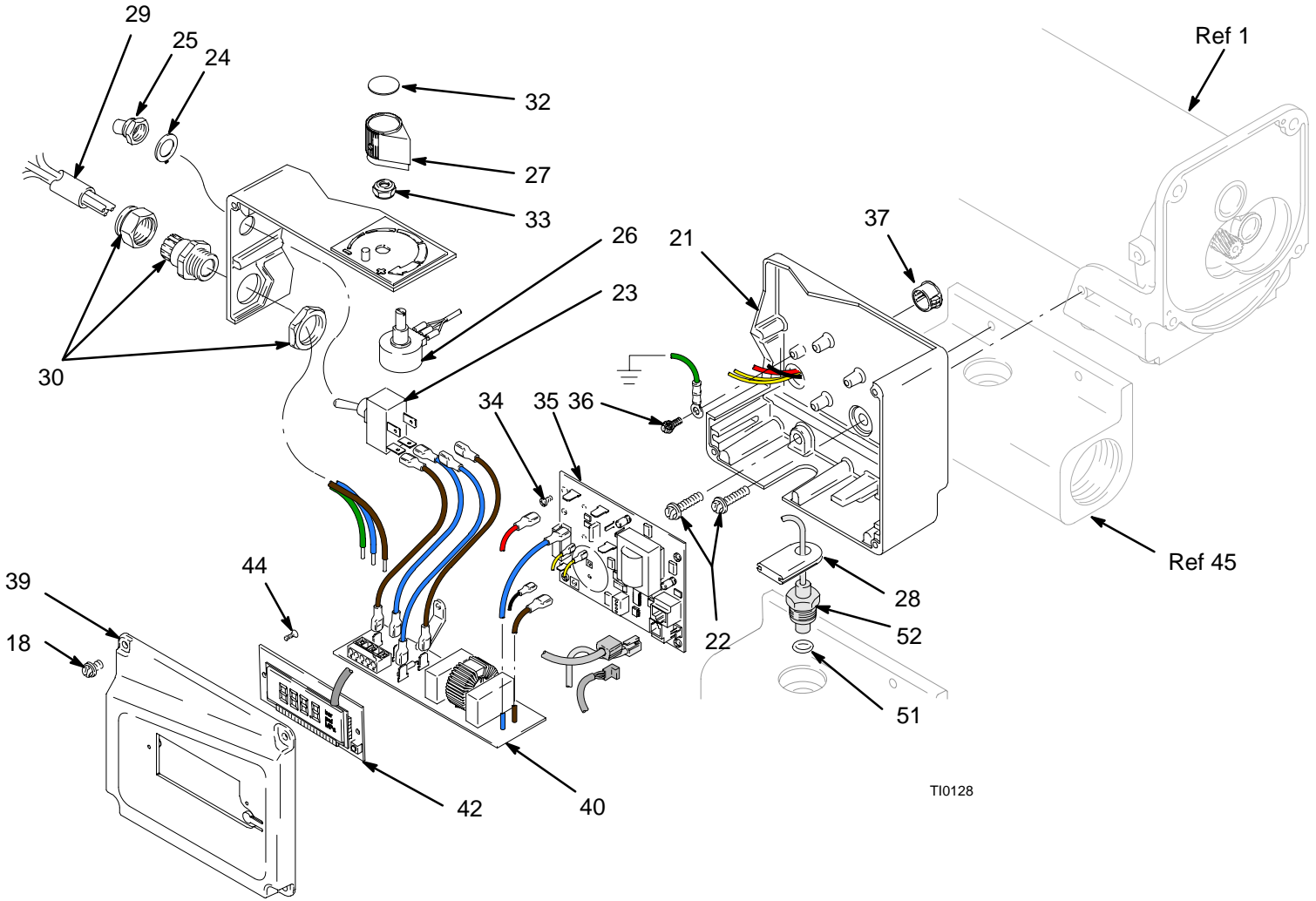
REF NO.	PART NO.	DESCRIPTION	QTY	REF NO.	PART NO.	DESCRIPTION	QTY
1	242014*	240V	1	71	114659		1
	242010*	120V		74	243216	74 + 74a, 74b, 74c, 126 & 127	1
3	243219		1	74a	195159		1
7	243218		1	74b	114531		2
9	243221	9 + 9a & 9b	1	74c	115843		1
9a	195175		1	77	115509		2
9b	195512		1	78	244353		1
10	243220	10 + 10a & 10b	1	82	235004		1
10a	195099		1	84	244040	84 + 85, 86	1
10b	115492		6	85	241920		1
12	195150		1	86	195186		1
13	243183	Manual 309053	1	92	206994		1
19	241926		1	106	103473		1
22	115495		8	112	240794	Manual 309054	1
31	195847		2	113	243375	233034	1
38	116150		1		243374	233033	1
45	195157		1	114	196773		1
47	104361		1	126	195793▲	233033	1
48	24308		1		195792▲	233034	1
49	195139		1	127	195805▲	233033	1
53	111699		1		195806▲	233034	1
55	187615		1	128	115491		1
56	235014	56 + 53 & 55	1	129	188787		1
57	224807		1	130	112133		1
58	111600		1	131	243495		1
59	187625		1	132	104938		1
62	162453		2	133	193237		1
63	241870		1				
65	195177		2				
67	107310		4				
68	115506		1				
69	195155		1				
70	100016		1				

▲Extra Danger and Warning tags and labels available free.

* Motor Brush Kit 236967 is available

† Other filters available: 243081, 100 mesh; 243226, 200 mesh

395/495st Pro – 232926, 232946 – 232948, 233034, B



TI0128

8056C

REF NO.	PART NO.	DESCRIPTION	QTY	REF NO.	PART NO.	DESCRIPTION	QTY
18	115492		6	33	112382		1
21	276539		1	34	115498		1
22	115495		5	35	241992		1
23	115810		1	36	115494		5
24	105658		1	37	115756		1
25	195428		1	39	195171		1
26	236352		1	40	241994		1
27	116167		1	42	241946		1
28	195423		1	44	115522		2
29	242000	232926, 232946, 232947 & 232948	1	51	111457		1
30	114421		1	52	243222	52 & 51	1
32	193072		1	61	243303	61+39, 42,44	1

240 Vac Wiring Diagram

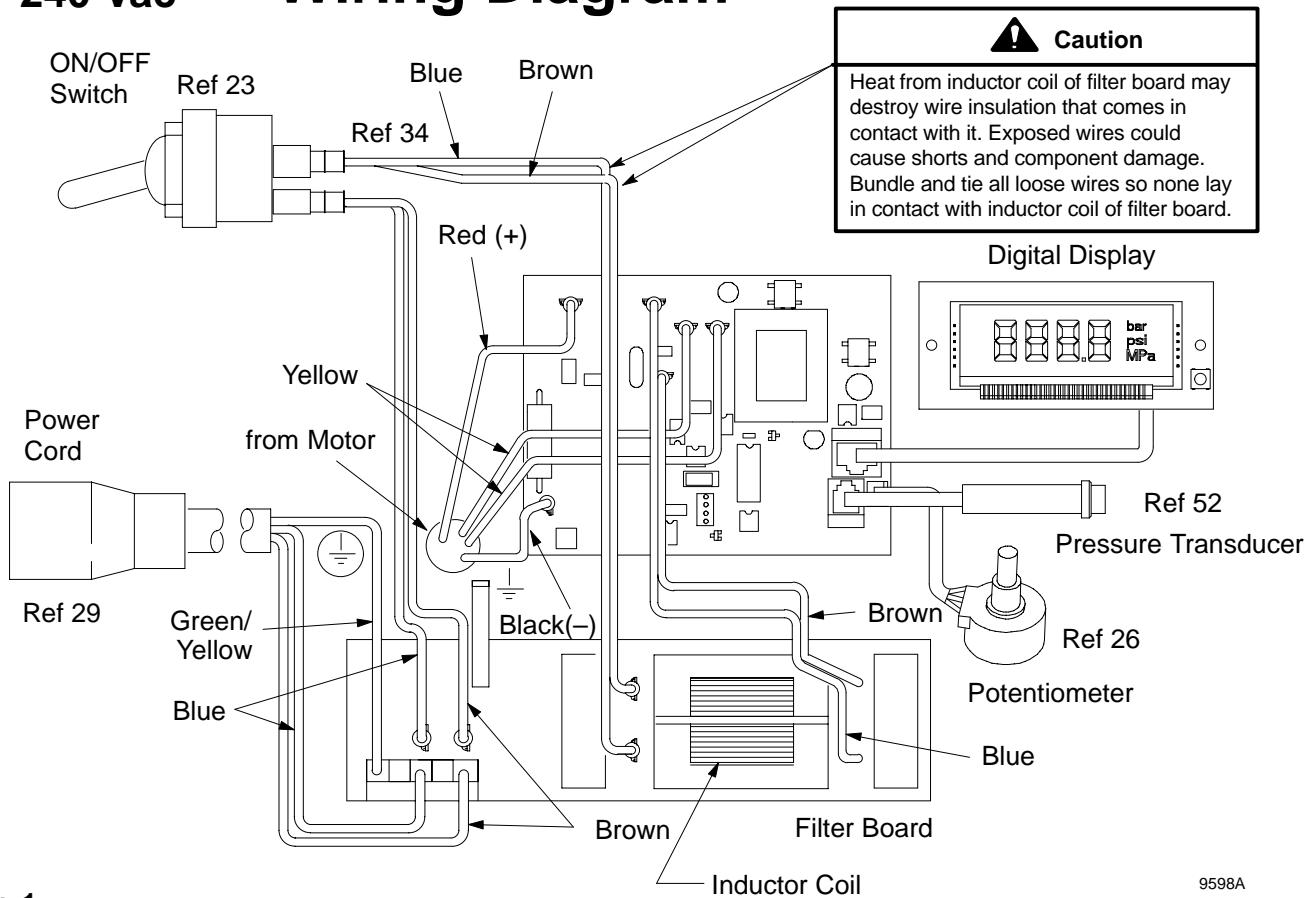
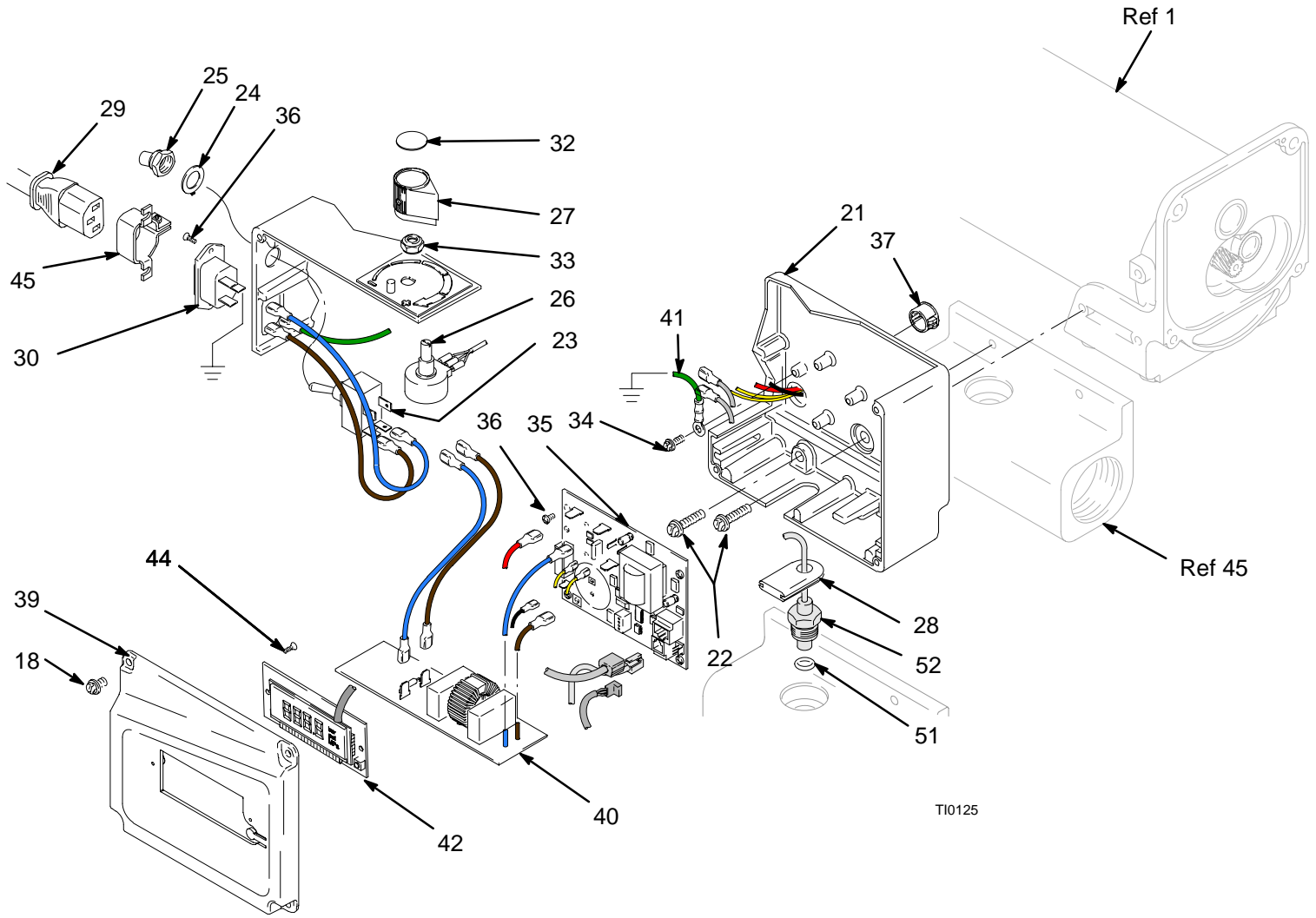


Fig. 1

9598A

395/495st Pro – 232923, 232943 – 232945, 233033, B



T10125

8056C

REF NO.	PART NO.	DESCRIPTION	QTY	REF NO.	PART NO.	DESCRIPTION	QTY
18	115492		6	33	112382		1
21	195528		1	34	115498		1
22	115495		5	35	241990		1
23	115810		1	36	115494		7
24	105658		1	37	115756		1
25	195428		1	39	195171		1
26	236352		1	51	111457		1
27	116167		1	52	243222	52 & 51	1
28	195423		1	40	241993		1
29	241996	UK	1	41	243539		1
	241997	Japan	1	42	241946		1
	241998	USA	1	44	115522		2
30	114064		1	45	115632		1
32	193072		1	61	243303	61+39, 41, 44	1

100 Vac Wiring Diagram

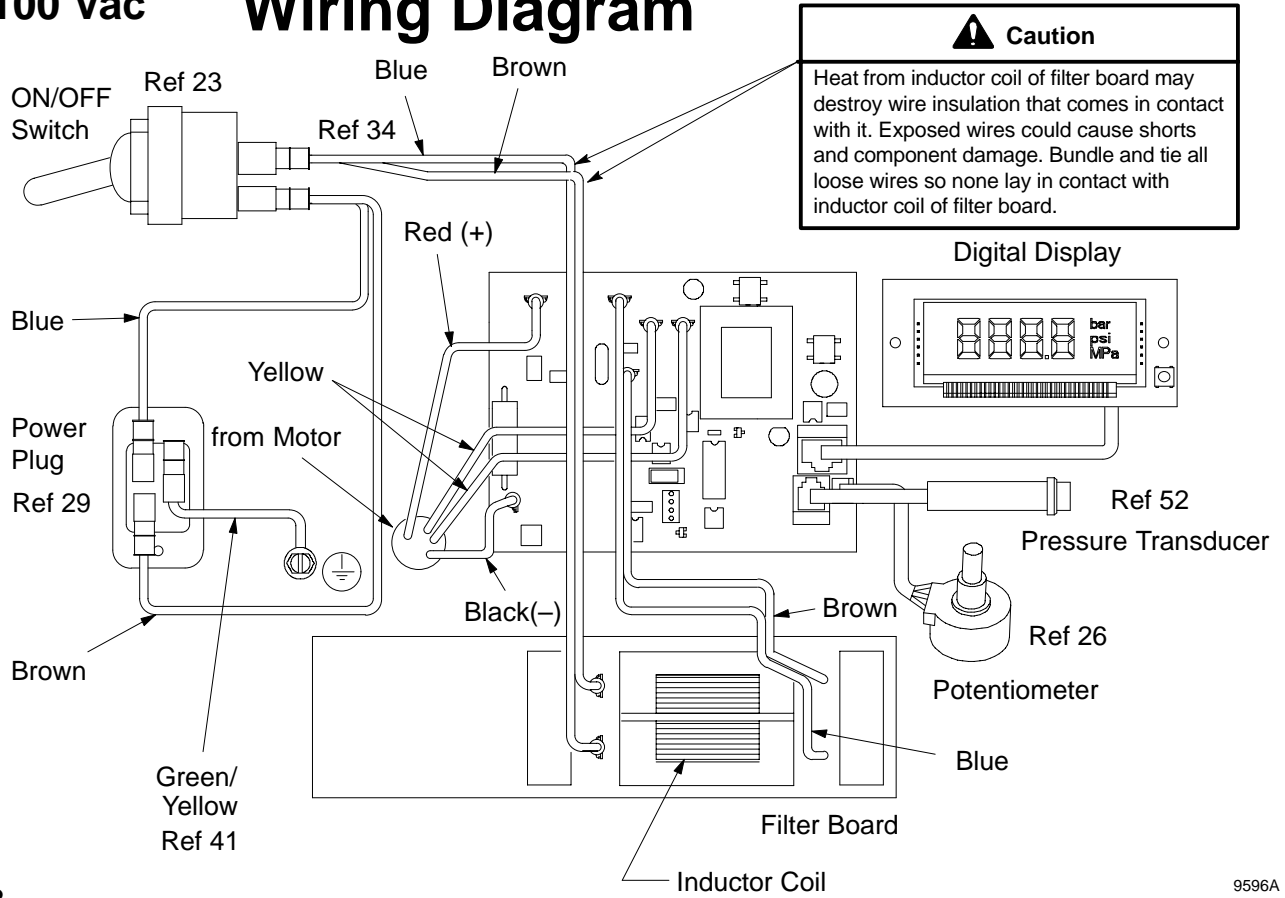


Fig. 2

9596A

TO PLACE AN ORDER OR FOR SERVICE, contact your Graco distributor.

All written and visual data contained in this document reflects the latest product information available at the time of publication. Graco reserves the right to make changes at any time without notice.

Sales Offices: Minneapolis, Detroit

International Offices: Belgium, Korea, Hong Kong, Japan

GRACO INC. P.O. BOX 1441 MINNEAPOLIS, MN 55440-1441

<http://www.graco.com>

PRINTED IN USA 309058 01/2000, Revised 11/2000