

ΟΔΗΓΙΕΣ – ISTRUZIONI INSTRUÇÕES – INSTRUCCIONES



309092

Avaθ. D
Rev. D

Πιστόλι Silver χωρίς Αέρα; Pistola a spruzzo airless Silver; Pistola de pulverização a alta pressão Silver; Pistola de pulverización sin aire Silver

Μέγιστη Πίεση Λειτουργίας 5000 psi (345 bar, 34,5 MPa)
Pressione massima d'esercizio 345 bar (34,5 MPa - 5000 psi)
Pressão máxima de trabalho de 5000 psi (345 bar, 34,5 MPa)
Presión máxima de funcionamiento de 5000 psi (345 bar, 34,5 MPa)

235460, C

Προφυλακτήρας Μπεκ Standard Dripless™ (μη αναστρεφόμενος), σκανδάλη για 2 δάκτυλα. Δεν συμπεριλαμβάνεται μπεκ βαφής. Παραγγείλετέ το χωριστά.

Protezione dell'ugello standard (non reversibile) Dripless™ grilletto a due dita. Ugello non incluso; ordinare separatamente.

Padrão (nao reversível) Protecção de bico Dripless™; gatilho de 2 dedos. No bico; ordem separada.

Estándar (no reversible) Protección de boquilla Dripless™; gatillo de 2 dedos. No boquilla; orden por separado.

235461, B

Προφυλακτήρας Μπεκ Standard Dripless™ (μη αναστρεφόμενος), σκανδάλη για 4 δάκτυλα. Δεν συμπεριλαμβάνεται μπεκ βαφής. Παραγγείλετέ το χωριστά.

Protezione dell'ugello standard (non reversibile) Dripless™ grilletto a quattro dita. Ugello non incluso; ordinare separatamente.

Padrão (nao reversível) Protecção de bico Dripless™; gatilho de 4 dedos. No bico; ordem separada.

Estándar (no reversible) Protección de boquilla Dripless™; gatillo de 4 dedos. No boquilla; orden por separado.

235462, C

Fine Finish. Προφυλακτήρας Μπεκ Standard Dripless™ (μη αναστρεφόμενος), σκανδάλη για 2 δάκτυλα. Δεν συμπεριλαμβάνεται μπεκ βαφής. Παραγγείλετέ το χωριστά.

Per finiture fini. Protezione dell'ugello standard (non reversibile) Dripless™ grilletto a due dita. Ugello non incluso; ordinare separatamente.

Revestimento Superior. Padrão (nao reversível) Protecção de bico Dripless™; gatilho de 2 dedos. No bico; ordem separada.

Final Superior. Estándar (no reversible) Protección de boquilla Dripless™; gatillo de 2 dedos. No boquilla; orden por separado.

243283, A

Προφυλακτήρας Μπεκ HandTite™, Μπεκ SwitchTip 517 RAC™ 5™, σκανδάλη για 2 δάκτυλα.

Protezione dell'ugello HandTite™ 517 RAC™ 5 SwitchTip™; grilletto a due dita.

Protecção HandTite™, bico 517 RAC™ 5 SwitchTip™; gatilho de 2 dedos.

Protección HandTite™, boquilla 517 RAC™ 5 SwitchTip™; gatillo de 2 dedos.

235464, C

Προφυλακτήρας Μπεκ Heavy Duty RAC, Μπεκ SwitchTip 617, σκανδάλη για 2 δάκτυλα.

Protezione dell'ugello per usi gravosi RAC, 617 SwitchTip; grilletto a due dita.

Resistente RAC Protecção de bico, 617 SwitchTip; gatilho de 2 dedos.

Resistente RAC Protección de boquilla, 617 SwitchTip; gatillo de 2 dedos.

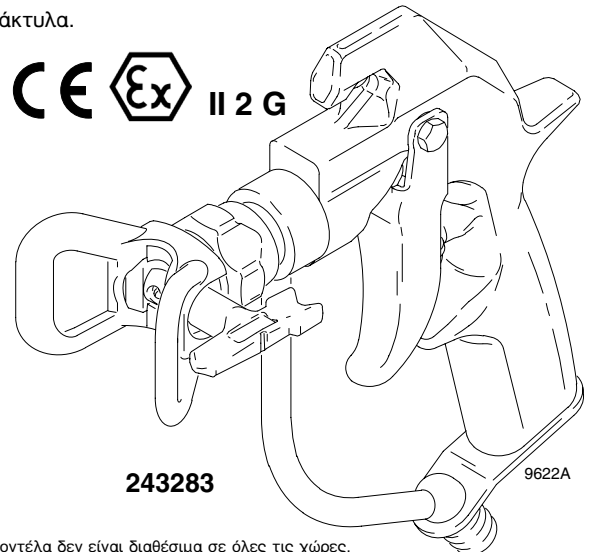
238591, A

Προφυλακτήρας Μπεκ Heavy Duty RAC, Μπεκ SwitchTip 619, σκανδάλη για 4 δάκτυλα.

Protezione dell'ugello per usi gravosi RAC, 619 SwitchTip; grilletto a quattro dita.

Resistente RAC Protecção de bico, 619 SwitchTip; gatilho de 4 dedos.

Resistente RAC Protección de boquilla, 619 SwitchTip; gatillo de 4 dedos.



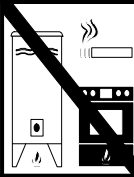
Όλα τα μοντέλα δεν είναι διαθέσιμα σε όλες τις χώρες.
Non tutti i modelli sono in vendita in tutti i paesi.
Nem todos os modelos se encontram disponíveis em todos os países.
Hay modelos que no se distribuyen en todos los países.

⚠ ΠΡΟΕΙΔΟΠΟΙΗΣΗ

Κίνδυνος ανάφλεξης και έκρηξης: Οι αναθυμιάσεις από το χρώμα και το διαλύτη ενδέχεται να προκαλέσουν ανάφλεξη ή έκρηξη.

Για να αποφύγετε τυχόν ανάφλεξη και έκρηξη:

- Χρησιμοποιείτε μόνο σε χώρους άριστο αερισμό.
- Εξουδετερώνετε όλες τις πιθανές πηγές ανάφλεξης, όπως λυχνίες καθοδήγησης, τσιγάρα και στατικά τόξα από πλαστικά υφάσματα. Μη συνδέετε ή αποσυνδέετε τα καλώδια τροφοδότησης και μην ανάβετε ή σβήνετε τα φώτα στο χώρο του ψεκασμού.
- Γεώνετε τον Ψεκαστήρα, το αντικείμενο που ψεκάζετε, τα δοχεία του χρώματος και του διαλύτη.
- Όταν τραβάτε τη σκανδάλη σημαδεύοντας το δοχείο κρατάτε το πιστόλι σταθερά στο πλάι του γεωμένου δοχείου.
- Χρησιμοποιείτε μόνο αγώγιμο σωλήνα ψεκασμού χρώματος χωρίς αέρα.
- Μη χρησιμοποιείτε 1,1,1-τριχλωροεθάνιο, χλωριούχο μεθυλένιο, άλλους διαλύτες αλογονωμένου υδρογονάνθρακα ή ρευστά που περιέχουν τέτοιους διαλύτες σε υπό πίεση εξοπλισμό αλουμινίου. Σε αντίθετη περίπτωση ενδέχεται να προκληθεί χημική αντίδραση, με πιθανότητα έκρηξης.



⚠ PERICOLO

Pericolo di incendio e di esplosione: Il solvente ed i fumi di vernici possono esplodere o prendere fuoco.

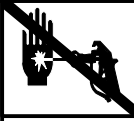
Per prevenire incendi ed esplosioni:

- **Utilizzare in aree estremamente ben ventilate.**
- Eliminare tutte le fonti di incendio, come le fiamme pilota, le sigarette e gli archi statici dalle coperture in plastica. Non collegare o scollegare i cavi di alimentazione o accendere o spegnere luci nell'area di spruzzatura.
- Collegare a terra lo spruzzatore, l'oggetto che viene spruzzato ed i secchi di vernice e di solvente.
- Tenere ferma la pistola su un lato di un secchio collegato a terra quando si attiva nel secchio.
- Utilizzare solo flessibili della vernice airless conduttivi.
- Nelle pompe di alluminio pressurizzate non utilizzare mai 1,1,1-tricloroetano, cloruro di metilene, altri solventi a base di idrocarburi alogenati o fluidi contenenti tali solventi. Il loro utilizzo può provocare una reazione chimica con una possibile esplosione.

Κίνδυνος έγχυσης ρευστού και κίνδυνος υψηλής πίεσης: Ψεκασμός ή διαρροές με υψηλή πίεση ενδέχεται να προκαλέσουν έγχυση ρευστού στον οργανισμό.

Για να αποφύγετε την έγχυση, φροντίστε πάντα:

- Να ασφαλίσετε το μάνδαλο της σκανδάλης όταν δεν χρησιμοποιείτε τον ψεκαστήρα.
 - Να αποφεύγετε την επαφή με το ακροφύσιο και τις διαρροές.
 - Να μην ψεκάζετε ποτέ χωρίς προφυλακτήρα ακροστομίου.
 - Να προβαίνετε σε **ΕΚΤΟΝΩΣΗ ΤΗΣ ΠΙΕΣΗΣ** όταν διακόπτετε τον ψεκασμό ή αρχίζετε συντήρηση του ψεκαστήρα.
 - Να μην χρησιμοποιείτε εξαρτήματα που έχουν ονομαστική πίεση λειτουργίας χαμηλότερη από τη *Μέγιστη Πίεση Εργασίας του ψεκαστήρα*.
 - Να μην επιτρέπετε ποτέ τη χρήση της παρούσας μονάδας από παιδιά.
 - Στριχτείτε καλά. Το πιστόλι ενδέχεται να σας ωθήσει προς τα πίσω με το πάτημα της σκανδάλης.
- Σε περίπτωση που το υψηλής πίεσης ρευστό διαπεράσει το δέρμα σας,** η πλήρη μπορεί να φανεί ως "ένα απλό κόψιμο". Πρόκειται όμως για σοβαρό τραυματισμό! Ζητήστε αμέσως ιατρική βοήθεια.



Pericolo da iniezione di fluido ed alta pressione: Spruzzi o perdite ad alta pressione possono iniettare fluido nel corpo.

Per prevenire le iniezioni di fluido, sempre:

- Innescare sempre il gancio di sicurezza quando non si spruzza.
- Tenersi lontano dall'ugello e dalle perdite.
- Non spruzzare mai senza la protezione dell'ugello.
- **SCARICARE LA PRESSIONE** se si arresta la spruzzatura o si eseguono interventi di manutenzione sullo spruzzatore.
- Non utilizzare componenti con una pressione inferiore alla *massima pressione di esercizio del sistema*.
- Non consentire ai bambini di utilizzare questa unità.
- Tenersi forte; la pistola può avere un forte contraccolpo quando attivata.

Se fluido ad alta pressione ferisce la pelle, la lesione può sembrare un "semplice taglio". Ma è una lesione grave. Richiedere assistenza medica immediata.

⚠ ADVERTÊNCIA

Perigo de incêndio e explosão: os solventes e os vapores da pintura poderão explodir ou incendiar.

Para ajudar a evitar incêndio e explosão:

- **Utilize em áreas extremamente bem ventiladas.**
- Elimine todas as fontes de ignição, tais como luzes piloto, cigarros e arcos estáticos de plásticos de proteção. Não ligue nem desligue os cabos de alimentação nem as luzes numa área de pulverização.
- Ponha em contacto com a terra o pulverizador, o objecto a ser pulverizado e os baldes de tinta e de solventes.
- Segure a pistola firmemente de encontro ao lado do balde em contacto com a terra, quando estiver a descarregar para dentro do mesmo.
- Utilize apenas tubos flexíveis condutores para pintura a alta pressão.
- Não utilize 1,1,1-tricloroetano, cloreto de metileno, outros solventes de hidrocarbonetos halogenados ou líquidos contendo tais solventes em equipamento de alumínio pressurizado. Tal utilização poderá resultar numa reacção química, com possibilidade de explosão.



⚠ ADVERTENCIA

Peligro de incendio y explosión: Los vapores de disolvente o de pintura pueden incendiarse o explotar.

Para ayudar a evitar que se produzca un incendio o una explosión:

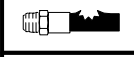
- **Utilizar en una zona extremadamente bien ventilada.**
- Elimine toda fuente de ignición; como las luces piloto, los cigarrillos y los arcos estáticos procedentes de cubiertas de plástico. No enchufe ni desenchufe aparatos en las tomas de corrientes de la zona de pulverización.
- Conecte a tierra el pulverizador, el objeto que esté pintando y los cubos de disolvente.
- Sujete firmemente la pistola contra el lado de un recipiente conectado a tierra mientras dispara la pistola hacia el interior del mismo.
- Utilice únicamente mangueras de pintura sin aire, conductoras eléctricamente.
- No utilice nunca 1,1,1-tricloroetano, cloruro de metileno, otros disolventes de hidrocarburo halogenado o fluidos que contengan tales disolventes en una bomba a presión de aluminio. El uso de estas sustancias puede provocar una seria reacción química con riesgos de explosión.

Perigo de injeção de líquidos e de alta pressão: a pulverização ou fugas a alta pressão podem injectar líquido no corpo.

Para ajudar a prevenir a injeção de líquido, faça sempre o seguinte:

- Engate o trinco de segurança do gatilho quando não estiver a pulverizar.
- Mantenha-se afastado de bocais e locais de fuga.
- Nunca pulverize sem protecção no bico.
- **ALIVIE A PRESSÃO** se parar de pulverizar e antes de iniciar a manutenção do pulverizador.
- Não utilize componentes com uma classificação inferior à do pulverizador *Pressão Máxima de Trabalho*.
- Nunca permita que crianças utilizem esta unidade.
- Cinta você mesmo; o pistola pode recoil quando providoad.

Se o líquido a alta pressão penetrar na pele, o ferimento poderá parecer "simplesmente um corte". Mas é um ferimento grave! Procure imediatamente assistência médica.



Peligro de inyección de fluido y de alta presión: La pulverización o las fugas a alta presión pueden inyectar fluido en el cuerpo.

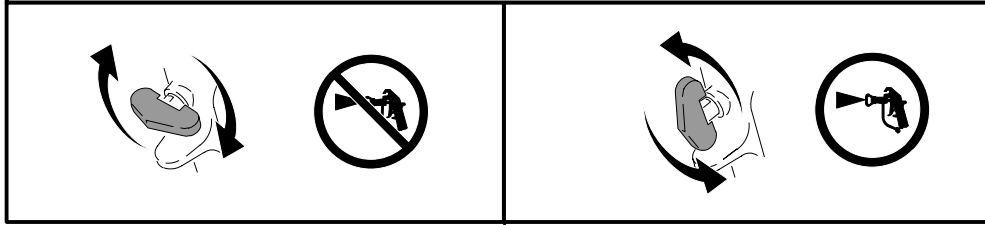
Para ayudar a evitar la inyección, siempre:

- Enganche el seguro del gatillo cuando no esté pulverizando.
- Manténgase alejado de la boquilla y de las fugas.
- No pulverice sin una protección en la boquilla.
- Siga el procedimiento de **DESCOMPRESIÓN** si deja de pulverizar o al comenzar la revisión del pulverizador.
- No use componentes cuya presión nominal sea menor que la *Presión máxima de funcionamiento del pulverizador*.
- Nunca permita que los niños utilicen esta unidad.
- Paréntesis usted mismo; la pistola puede retroceso cuando está accionado.

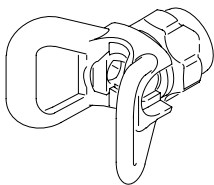
Si el fluido a alta presión penetra la piel, la herida puede parecer "un simple corte". ¡Pero se trata de una herida grave! Consiga inmediatamente atención médica.

ΟΡΓΑΝΑ ΕΛΕΓΧΟΥ / CONTROLLI / CONTROLOS / CONTROLES

Ασφάλεια Σκανδάλης / Sicura del grilletto
 Fecho do gatilho / Seguro del gatilho

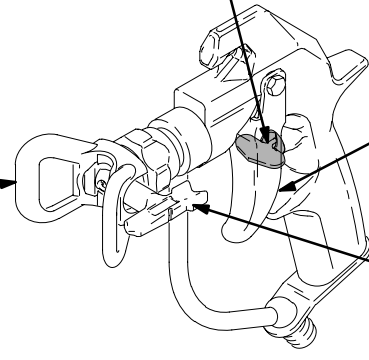
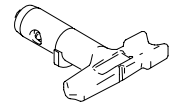


Προφυλακτήρας Μπεκ
 Protezione dell'ugello
 Protecção do bico
 Protección de la boquilla



Σκανδάλη / Grilletto
 Gatilho / Gatillo

Μπεκ / Punta
 Bico / Boquilla

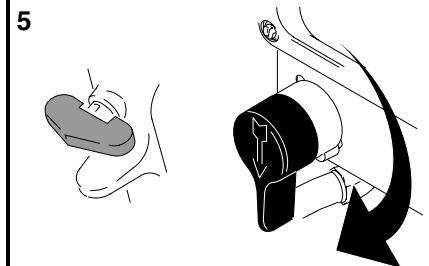
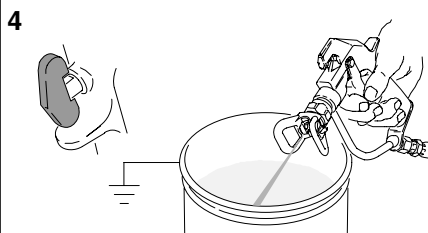
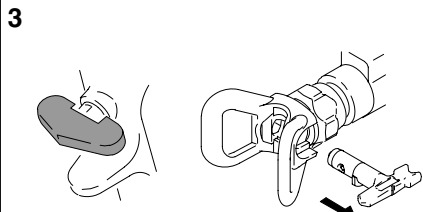
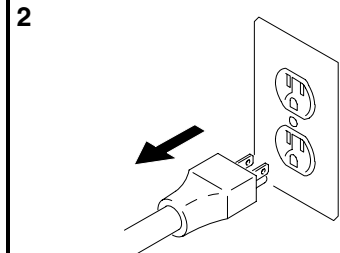
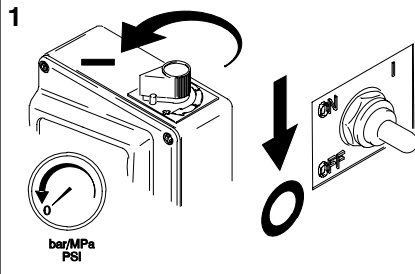


9622A

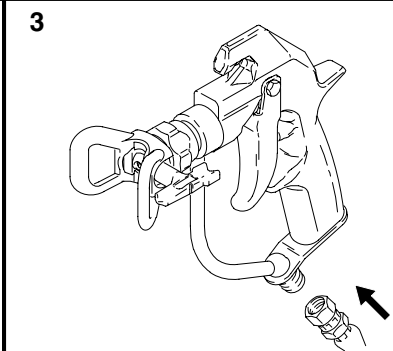
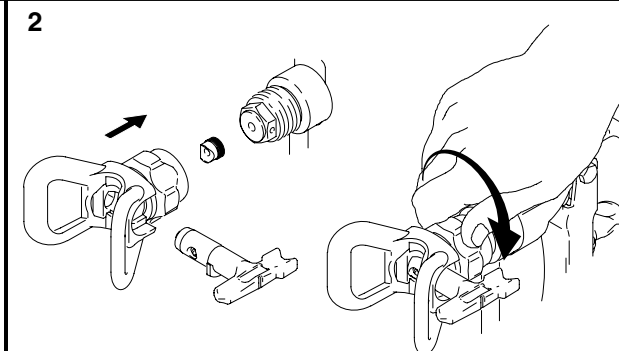
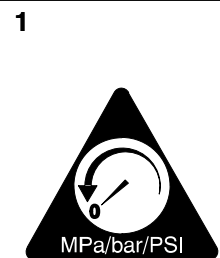
ΕΚΤΟΝΩΣΗ ΠΙΕΣΗΣ / SFOGO PRESSIONE ALÍVIO DE PRESSÃO / DESCOMPRESIÓN



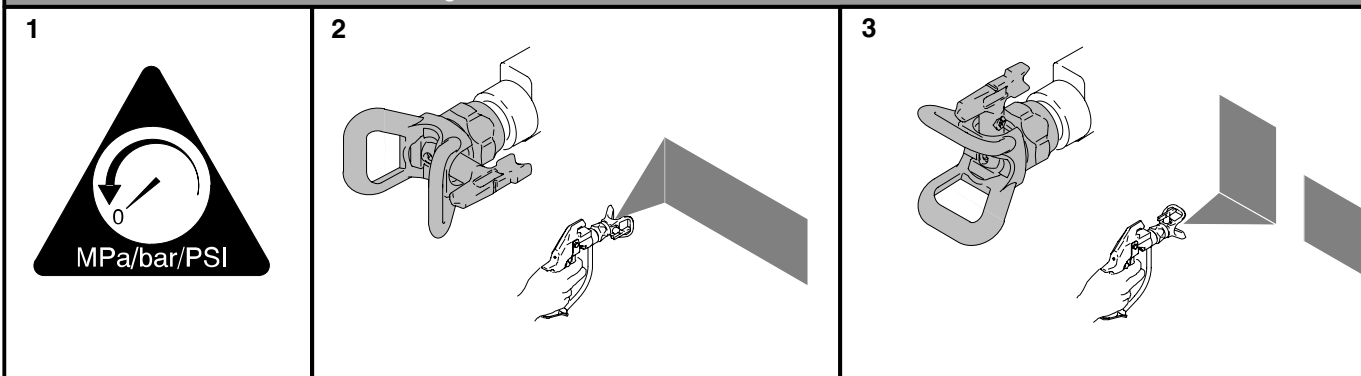
Μετά το πέρας της
 βαφής, ακολουθήστε τα
 βήματα 1-5.
 Seguire i passi da 1-5
 quando si smette di
 spruzzare.
 Siga os passos de 1-5
 quando parar de pulverizar.
 Cuando deje de pulverizar,
 siga los pasos 1-5.



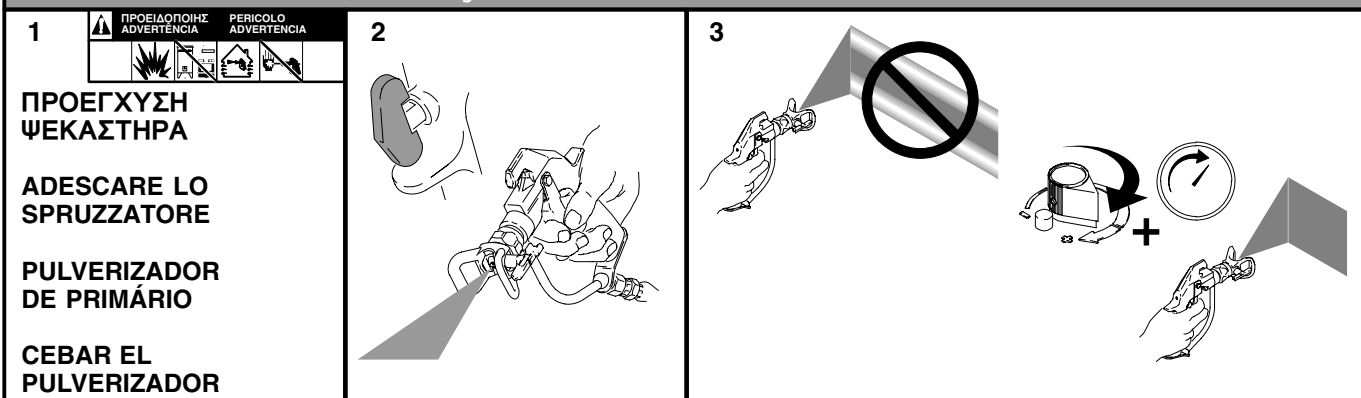
ΕΓΚΑΤΑΣΤΑΣΗ / INSTALLAZIONE / INSTALAÇÃO / INSTALACIÓN



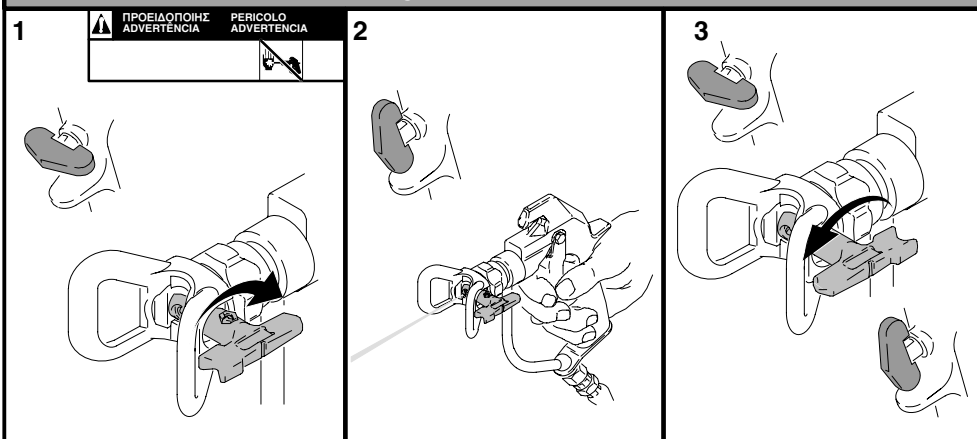
ΕΥΘΥΓΡΑΜΜΙΣΗ ΨΕΚΑΣΜΟΥ / ALLINEAMENTO SPRUZZATURA ALINHAR A PULVERIZAÇÃO / ALINEAR PULVERIZACIÓN



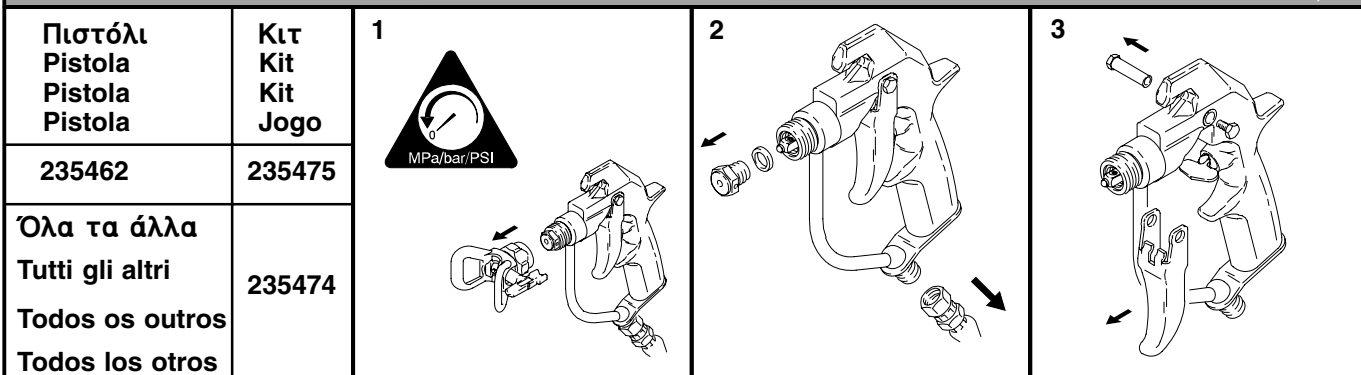
ΡΥΘΜΙΣΗ ΨΕΚΑΣΜΟΥ / REGOLAZIONE SPRUZZATURA REGULAR A PULVERIZAÇÃO / AJUSTAR PULVERIZACIÓN



ΚΑΘΑΡΙΣΜΟΣ / PULIZIA DELLE OSTRUZIONI ELIMINAR A OBSTRUÇÃO / ELIMINAR OBSTRUCCIÓN

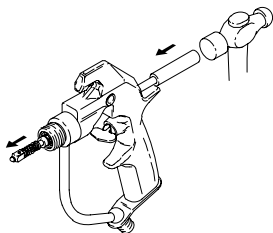


ΑΝΤΙΚΑΤΑΣΤΑΣΗ ΒΕΛΟΝΑΣ / SOSTITUIRE L'AGO SUBSTITUIR AGULHA / REEMPLAZAR AGUJA

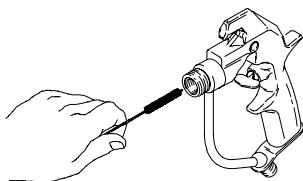


**ANTIKATASTASH BELONAS / SOSTITUIRE L'AGO
SUBSTITUIR AGULHA / REEMPLAZAR AGUJA**

4



5



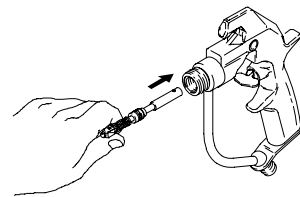
**ΚΑΘΑΡΙΣΤΕ
PULIRE
LIMPAR
LIMPIAR**

6



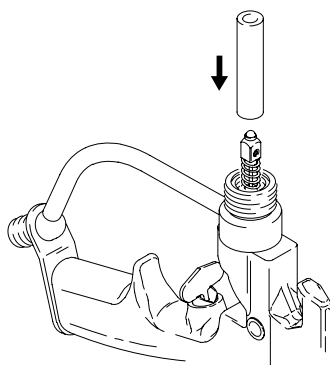
**ΕΦΑΡΜΟΣΤΕ ΛΙΠΑΝΤΙΚΟ
LUBRIFICARE
LUBRIFICAR
GRASA**

7

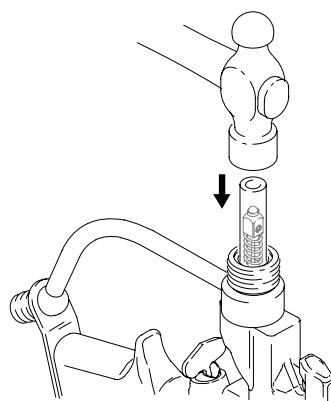


**ΝΕΑ
NUOVO
NOVA
NUEVO**

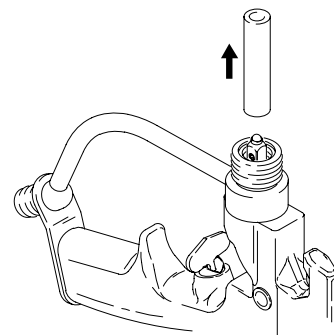
9



10



11



12

**ΕΦΑΡΜΟΣΤΕ ΛΙΠΑΝΤΙΚΟ
LUBRIFICARE
LUBRIFICAR
ENGRASAR**

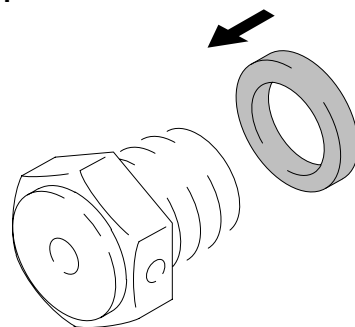


13

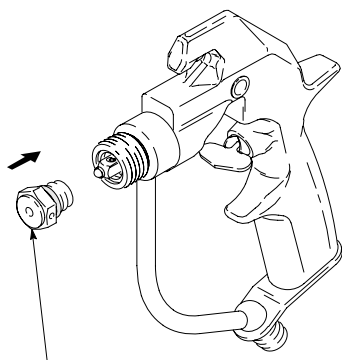


**ΕΦΑΡΜΟΣΤΕ ΛΙΠΑΝΤΙΚΟ
LUBRIFICARE
LUBRIFICAR
ENGRASAR**

14

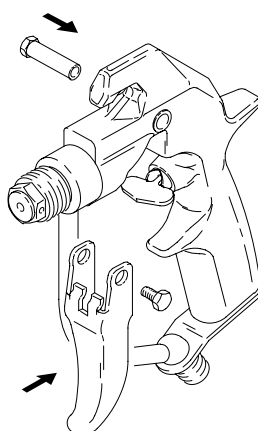


15

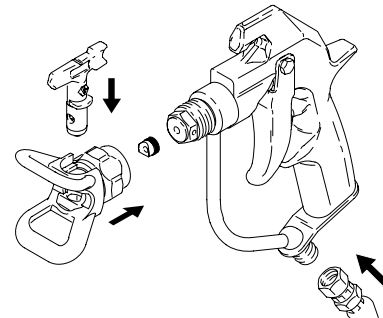


20–25 ft-lb / 27–34 N.m

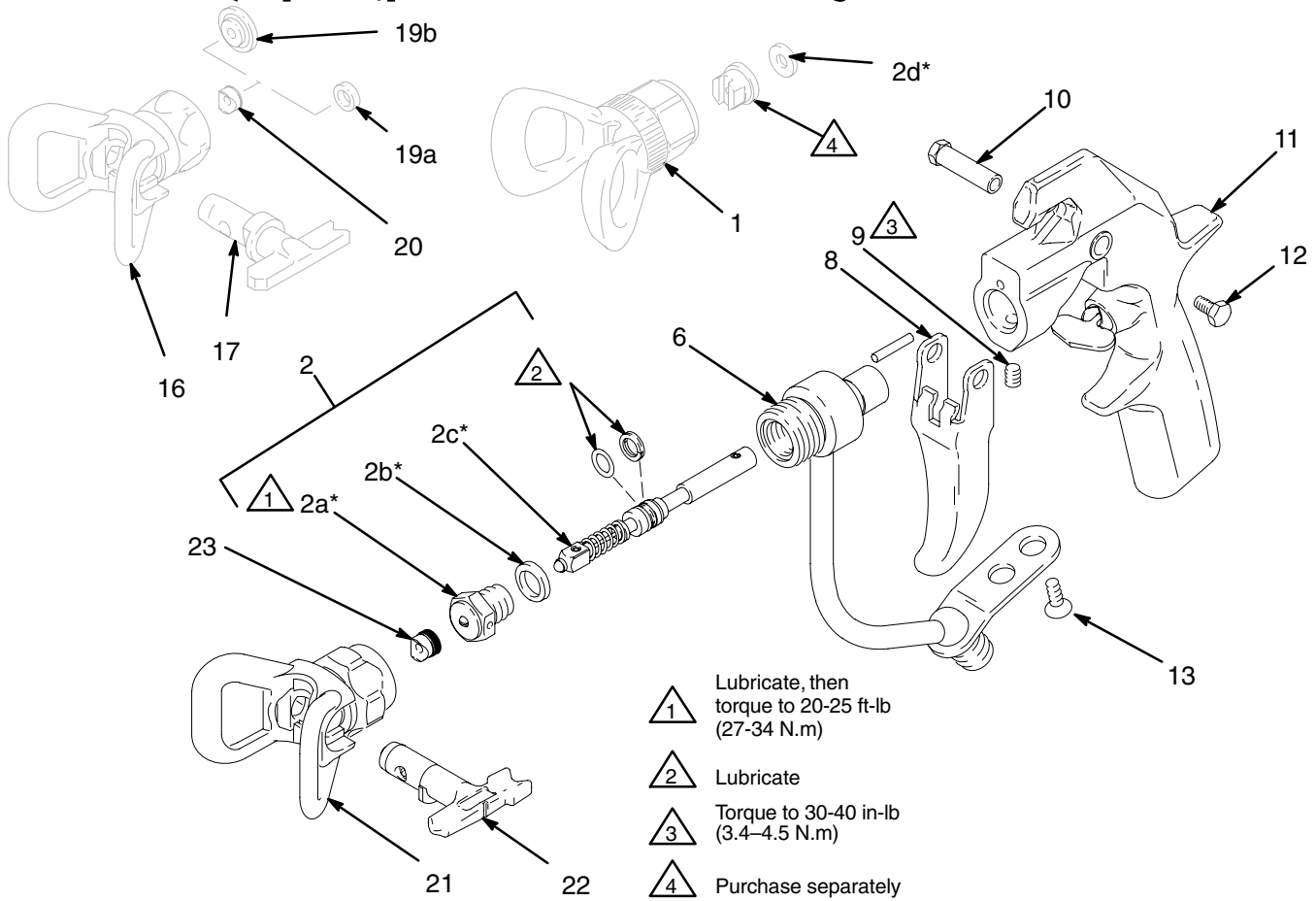
16


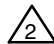
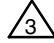
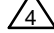


17



Εξαρτήματα / Parti / Peças / Piezas



-  Lubricate, then torque to 20-25 ft-lb (27-34 N.m)
-  Lubricate
-  Torque to 30-40 in-lb (3.4-4.5 N.m)
-  Purchase separately

9626A

235460, C: Standard (non-reversing) DripLess™ Tip Guard: 2-finger trigger. *Includes items 1 to 15.*

235461, B: Standard (non-reversing) DripLess™ Tip Guard: 4-finger trigger. *Includes items 1 to 15.*

Ref No.	Part No.	Description	Qty.	Ref No.	Part No.	Description	Qty.
1	220251	STANDARD TIP GUARD	1	1	220251	STANDARD TIP GUARD	1
2	235474	NEEDLE KIT <i>Includes items 2a to 2d</i>	1	2	235474	NEEDLE KIT <i>Includes items 2a to 2d</i>	1
2a*	◇	DIFFUSER/SEAT	1	2a*	◇	DIFFUSER/SEAT	1
2b*	◇	GASKET, copper	1	2b*	◇	GASKET, copper	1
2c*	◇	NEEDLE	1	2c*	◇	NEEDLE	1
2d*	166969	TIP GASKET	1	2d*	166969	TIP GASKET	1
6	235482	FLUID HOUSING, two finger	1	6	235483	FLUID HOUSING, four finger	1
8	187985	TRIGGER, two finger	1	8	188127	TRIGGER, four finger	1
9	102207	SETSCREW, 1/4-20	1	9	102207	SETSCREW, 1/4-20	1
10	187965	PIVOT PIN	1	10	187965	PIVOT PIN	1
11	235471	GUN HANDLE	1	11	235471	GUN HANDLE	1
12	203953	SCREW, hex washer hd, 10-24	1	12	203953	SCREW, hex washer hd, 10-24	1
13	107091	SCREW, 1/4-20	2	13	107091	SCREW, 1/4-20	2
14▲	187987	WARNING TAG <i>not shown</i>	1	14▲	187987	WARNING TAG <i>not shown</i>	1
15▲	222385	WARNING CARD <i>not shown</i>	1	15▲	222385	WARNING CARD <i>not shown</i>	1

Εξαρτήματα / Parti / Peças / Piezas

235462, C

Fine-Finish (non-reversing) DripLess™ Tip Guard; 2–finger trigger. *Includes 1 to 15.*

Ref No.	Part No.	Description	Qty.
1	220247	FINE FINISH TIP GUARD	1
2	235475	NEEDLE KIT <i>Includes items 2a to 2d</i>	1
2a†	◇	PRE-ORIFICE SEAT	1
2b†	◇	GASKET, copper	1
2c†	◇	NEEDLE	1
2d†	162863	TIP GASKET	1
6	235482	FLUID HOUSING, two finger	1
8	187985	TRIGGER, two finger	1
9	102207	SETSCREW, 1/4–20	1
10	187965	PIVOT PIN	1
11	235471	GUN HANDLE	1
12	203953	SCREW, hex washer hd, 10–24	1
13	107091	SCREW, 1/4–20	2
14▲	187987	WARNING TAG <i>not shown</i>	1
15▲	222385	WARNING CARD <i>not shown</i>	1

243283, A

HandTite™ Tip Guard; 2–finger trigger. *Includes 2 to 23.*

Ref No.	Part No.	Description	Qty.
2	235474	NEEDLE KIT <i>Includes items 2a to 2c</i>	1
2a*	◇	DIFFUSER/SEAT	1
2b*	◇	GASKET, copper	1
2c*	◇	NEEDLE	1
6	235482	FLUID HOUSING, two finger	1
8	187985	TRIGGER, two finger	1
9	102207	SETSCREW, 1/4–20	1
10	187965	PIVOT PIN	1
11	235471	GUN HANDLE	1
12	203953	SCREW, hex washer hd, 10–24	1
13	107091	SCREW, 1/4–20	2
14▲	187987	WARNING TAG <i>not shown</i>	1
15▲	222385	WARNING CARD <i>not shown</i>	1
18▲	187346	WARNING SHEET <i>not shown</i>	1
21	243161	HandTite™ Tip Guard	1
22	286517	RAC 5 SwitchTip, Size 517	1
23	243281	OneSeal™ (5–pack)	1

The following information applies to all parts lists:

* *Included in Repair Kit 235474, purchased separately. Kit includes installation tool.*

† *Included in Repair Kit 235475, purchased separately. Kit includes installation tool.*

◇ *Part not sold separately*

▲ *Replacement Danger and Warning labels, tags and cards are available at no cost.*

235464, C

Heavy Duty RAC® tip; 2–finger fluid housing, 2–finger trigger. *Includes 2 to 20.*

Ref No.	Part No.	Description	Qty.
2	235474	NEEDLE KIT <i>Includes items 2a to 2c</i>	1
2a*	◇	DIFFUSER/SEAT	1
2b*	◇	GASKET, copper	1
2c*	◇	NEEDLE	1
2d*	166969	TIP GASKET	1
6	235482	FLUID HOUSING, two finger	1
8	187985	TRIGGER, two finger	1
9	102207	SETSCREW, 1/4–20	1
10	187965	PIVOT PIN	1
11	235471	GUN HANDLE	1
12	203953	SCREW, hex washer hd, 10–24	1
13	107091	SCREW, 1/4–20	2
14▲	187987	WARNING TAG <i>not shown</i>	1
15▲	222385	WARNING CARD <i>not shown</i>	1
16	222674	HEAVY DUTY RAC tip assembly	1
17	GHD617	HEAVY DUTY SwitchTip, Size 617,	1
19		GASKET, tip guard	1
19a	221176	GASKET, black (5 pack); includes 20 Use with water based coatings	1
19b	224081	GASKET, yellow (5 pack); includes 20 Use with solvent based coatings	1
20	◇	SEAT, cylinder; included with 19	1

238591, A

Heavy Duty RAC® tip; 4–finger trigger. *Includes 2 to 20.*

Ref No.	Part No.	Description	Qty.
2	235474	NEEDLE KIT <i>Includes items 2a to 2c</i>	1
2a*	◇	DIFFUSER/SEAT	1
2b*	◇	GASKET, copper	1
2c*	◇	NEEDLE	1
2d*	166969	TIP GASKET	1
6	235483	FLUID HOUSING, four finger	1
8	188127	TRIGGER, four finger	1
9	102207	SETSCREW, 1/4–20	1
10	187965	PIVOT PIN	1
11	235471	GUN HANDLE	1
12	203953	SCREW, hex washer hd, 10–24	1
13	107091	SCREW, 1/4–20	2
14▲	187987	WARNING TAG <i>not shown</i>	1
15▲	222385	WARNING CARD <i>not shown</i>	1
16	237162	HEAVY DUTY RAC tip assembly	1
17	GHD525	HEAVY DUTY SwitchTip, Size 525	1
19		GASKET, tip guard	1
19a	221176	GASKET, black (5 pack); includes 20 Use with water based coatings	1
19b	224081	GASKET, yellow (5 pack); includes 20 Use with solvent based coatings	1
20	◇	SEAT, cylinder	1

Βασική Εγγύηση Graco

Garanzia standard Graco

Garantia Standard da Graco

Garantía estándar de Graco

Graco warrants all equipment referenced in this document which is manufactured by Graco and bearing its name to be free from defects in material and workmanship on the date of sale by an authorized Graco distributor to the original purchaser for use. With the exception of any special, extended, or limited warranty published by Graco, Graco will, for a period of twelve months from the date of sale, repair or replace any part of the equipment determined by Graco to be defective. This warranty applies only when the equipment is installed, operated and maintained in accordance with Graco's written recommendations.

This warranty does not cover, and Graco shall not be liable for general wear and tear, or any malfunction, damage or wear caused by faulty installation, misapplication, abrasion, corrosion, inadequate or improper maintenance, negligence, accident, tampering, or substitution of non-Graco component parts. Nor shall Graco be liable for malfunction, damage or wear caused by the incompatibility of Graco equipment with structures, accessories, equipment or materials not supplied by Graco, or the improper design, manufacture, installation, operation or maintenance of structures, accessories, equipment or materials not supplied by Graco.

This warranty is conditioned upon the prepaid return of the equipment claimed to be defective to an authorized Graco distributor for verification of the claimed defect. If the claimed defect is verified, Graco will repair or replace free of charge any defective parts. The equipment will be returned to the original purchaser transportation prepaid. If inspection of the equipment does not disclose any defect in material or workmanship, repairs will be made at a reasonable charge, which charges may include the costs of parts, labor, and transportation.

THIS WARRANTY IS EXCLUSIVE, AND IS IN LIEU OF ANY OTHER WARRANTIES, EXPRESS OR IMPLIED, INCLUDING BUT NOT LIMITED TO WARRANTY OF MERCHANTABILITY OR WARRANTY OF FITNESS FOR A PARTICULAR PURPOSE.

Graco's sole obligation and buyer's sole remedy for any breach of warranty shall be as set forth above. The buyer agrees that no other remedy (including, but not limited to, incidental or consequential damages for lost profits, lost sales, injury to person or property, or any other incidental or consequential loss) shall be available. Any action for breach of warranty must be brought within two (2) years of the date of sale.

GRACO MAKES NO WARRANTY, AND DISCLAIMS ALL IMPLIED WARRANTIES OF MERCHANTABILITY AND FITNESS FOR A PARTICULAR PURPOSE, IN CONNECTION WITH ACCESSORIES, EQUIPMENT, MATERIALS OR COMPONENTS SOLD BUT NOT MANUFACTURED BY GRACO. These items sold, but not manufactured by Graco (such as electric motors, switches, hose, etc.), are subject to the warranty, if any, of their manufacturer. Graco will provide purchaser with reasonable assistance in making any claim for breach of these warranties.

In no event will Graco be liable for indirect, incidental, special or consequential damages resulting from Graco supplying equipment hereunder, or the furnishing, performance, or use of any products or other goods sold hereto, whether due to a breach of contract, breach of warranty, the negligence of Graco, or otherwise.

ΓΙΑ ΠΕΛΑΤΕΣ ΤΗΣ GRACO ΕΛΛΑΔΑΣ

Τα μέρη αναγνωρίζουν την εντολή τους για τη σύνταξη στην αγγλική γλώσσα του παρόντος εγγράφου, καθώς και του συνόλου των λοιπών εγγράφων, κοινοποιήσεων και νομικών πράξεων, τα οποία υπογράφονται, δίδονται, ή θεσπίζονται σύμφωνα με το παρόν ή σε άμεση ή έμμεση σχέση με το παρόν.

PER I CLIENTI GRACO ITALIANI

Le controparti riconoscono di aver richiesto che il presente documento, e tutti gli altri documenti, avvisi e informazioni di natura legale sottoscritti, conferiti o istituiti direttamente o indirettamente, siano redatti in lingua inglese.

PARA OS CLIENTES PORTUGUESES DA GRACO

As Partes confirmam que solicitaram que o presente documento, assim como todos os demais documentos, notas e processos legais inseridos, atribuídos ou instituídos de acordo com o mesmo ou relacionados directa ou indirectamente com este documento, fossem redigidos em inglês.

PARA LOS CLIENTES DE GRACO EN ESPAÑA

Las partes reconocen haber convenido que el presente documento, así como todos los documentos, notificaciones y procedimientos judiciales emprendidos, presentados o establecidos que tengan que ver con estas garantías directa o indirectamente, estarán redactados en inglés.

ΕΠΙΠΛΕΟΝ ΚΑΛΥΨΗ / COPERTURA AGGIUNTIVA DELLA GARANZIA COBERTURA DE GARANTIA ADICIONAL / COBERTURA ADICIONAL DE LA GARANTÍA

Η Graco προσφέρει επαυξημένη εγγύηση και εγγύηση για φθορά για προϊόντα που περιγράφονται στο "Πρόγραμμα Εγγύησης Εξοπλισμών Graco".

La Graco non fornisce una garanzia estesa e garanzia contro l'usura per i prodotti descritti nel "Programma di garanzia per prodotti per professionisti Graco".

A Graco fornece prorrogação de garantia e garantia de desgaste para os produtos descritos no "Graco Contractor Equipment Warranty Program" (Programa de garantia de equipamento Contractor da Graco).

Graco proporciona una garantía extendida y una garantía que cubre el desgaste de los productos descritos en el "Programa de Garantía del Equipo Contractor de Graco".

Τεχνικά Στοιχεία / Dati tecnici

Dados técnicos / Datos técnicos

Category	Data
Maximum working pressure	5000 psi (345 bar, 34.5 MPa)
Fluid orifice size	235462: 0.037 in. (0.94 mm) All others: 0.090 in. (2.3 mm)
Wetted parts	Stainless steel, Polyethylene, Polyurethane, Nylon, PTFE
Weight	18 oz (510 g)
Inlet	1/4 npsm(m)
Maximum material temperature	120°F (50°C)
* Sound pressure level	78 dBa
* Sound power level	87 dBa

* Μετράται κατά τη διάρκεια βαφής με χρώμα με βάση το νερό - βαρύτητας 1,36 μέσω μπεκ 517 σ 3000 psi (207 bar, 20,7 MPa) σύμφωνα με το πρότυπο ISO 3744.

* Misurata durante la spruzzatura di vernice a base d'acqua – gravità da 1,36 attraverso un ugello 517 a 207 bar, 20,7 MPa (3000 psi) per ISO 3744.

* Calculado durante a pintura com tinta à base de água – gravidade 1,36 através de um bico 517 a 3000 psi (207 bar, 20,7 MPa) em conformidade com a ISO 3744.

* Medida mientras se pulveriza pintura al agua – densidad de 1,36, a través de una boquilla 517 a 3000 psi (207 bar, 20,7 MPa) según la norma ISO 3744.

ΓΙΑ ΠΑΡΑΤΕΛΕΣ ΣΥΝΗΡΤΗΤΟΥ ΕΣΤΙΝ ΕΝΟΧΟΣ το προϊόν κατά το Graco

ή καλέστε 1-800-690-2894 για να βρείτε τον πλησιέστερο διανομέα.

PER FARE UN ORDINE O PER ASSISTENZA, rivolgersi al distributore Graco,

oppure chiamare il numero 1-800-690-2894 per identificare il distributore più vicino.

PARA EFECTUAR ENCOMENDAS OU PARA ASSISTÊNCIA TÉCNICA, contacte o seu distribuidor da Graco.

PARA REMITIR UN PEDIDO O SOLICITAR SERVICIO, póngase en contacto con el distribuidor de Graco.

Το σύνολο των στοιχείων που περιέχονται στο παρόν έγγραφο υπό μορφή κειμένου και εικόνων αποτελούν τις πλέον πρόσφατες πληροφορίες σχετικά με τα προϊόντα μας κατά τη χρονική στιγμή της έκδοσης. Η Graco διατηρεί το δικαίωμα να προβεί σε αλλαγές άνευ πρότερης ειδοποίησης.

Tutte le informazioni e le illustrazioni contenute in questo documento sono basate sulle informazioni più aggiornate disponibili al momento della pubblicazione. La Graco si riserva il diritto di apportare modifiche in qualunque momento senza preavviso.

Todos os dados escritos e visuais contidos neste documento reflectem as mais recentes informações sobre o produto disponíveis na altura da publicação. A Graco reserva-se o direito de efectuar alterações em qualquer momento sem aviso prévio.

Todos los datos, escritos y visuales, contenidos en este documento reflejan la información más reciente sobre el producto disponible en el momento de su publicación, Graco se reserva el derecho de realizar cambios en cualquier momento, sin previo aviso.

Κέντρα Πωλήσεων: Μιννεάπολη
Γραφεία Εξωτερικού: Βέλγιο, Κορέα, Χονγκ Κονγκ, Ιαπ
Uffici di vendita Minneapolis
Uffici esteri: Belgio, Corea, Hong Kong, Giappone
Escritórios de Vendas: Minneapolis
Escritórios estrangeiros: Bélgica, Coreia, Hong Kong, Japão
Oficinas de ventas: Minneapolis
Oficinas en el extranjero: Bélgica, Corea, Hong Kong, Japón

**GRACO N.V.; Industrieterrein — Oude Bunders;
Slakweidestraat 31, 3630 Maasmechelen, Belgium**

Tel.: 32 89 770 700 – Fax: 32 89 770 777

<http://www.graco.com>

ΤΟ ΠΑΡΟΝ ΕΚΤΥΠΩΘΗΚΕ ΣΤΙΣ ΗΠΑ 309092 9/2004
STAMPATO NEGLI USA 309092 9/2004
IMPRESO EN EE.UU. 309092 9/2004
IMPRESSO NOS EUA 309092 9/2004