

242063 Vent Valve

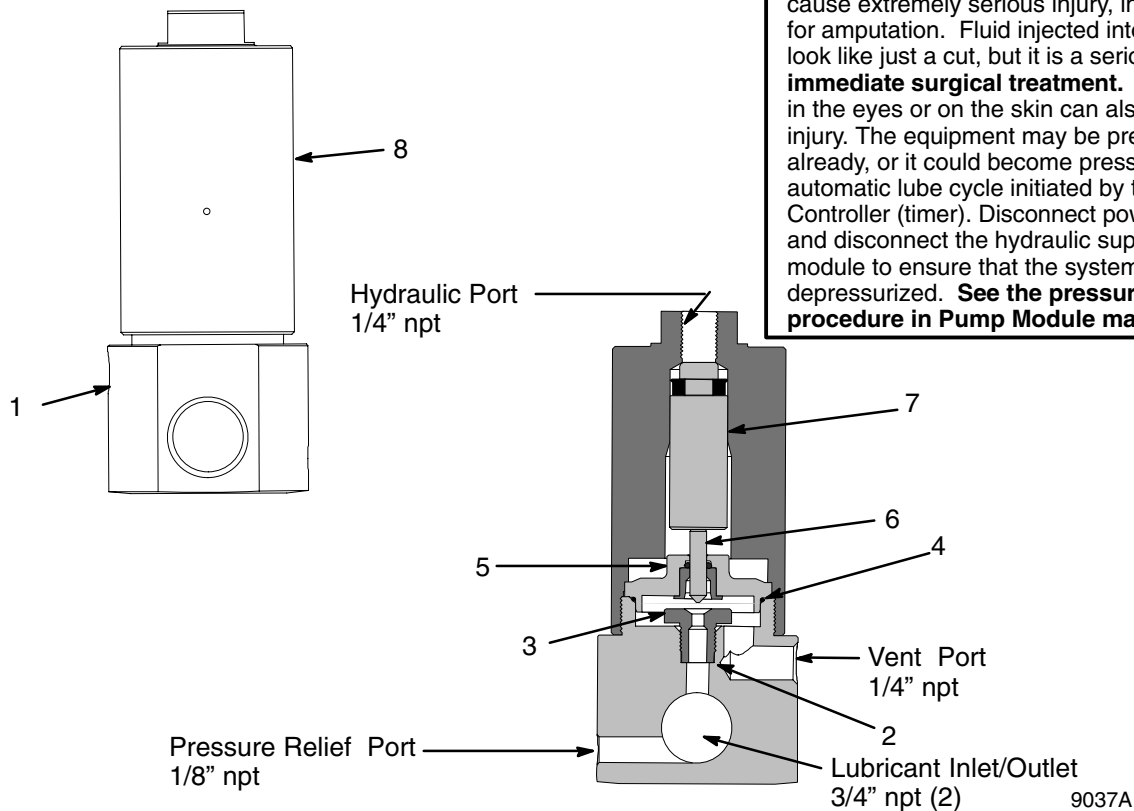
309099C

For Hydraulic Powered Single-Line Parallel Automatic Lubrication Systems



Important Safety Instructions.

Read all warnings and instructions in this manual and manual 309098. See manual 308955 for system installation, operation, and troubleshooting. Save all instructions.



⚠ WARNING

SKIN INJECTION HAZARD

Fluid from the vent valve, leaks, or ruptured components can inject fluid into your body and cause extremely serious injury, including the need for amputation. Fluid injected into the skin might look like just a cut, but it is a serious injury. **Get immediate surgical treatment.** Fluid splashed in the eyes or on the skin can also cause serious injury. The equipment may be pressurized already, or it could become pressurized by an automatic lube cycle initiated by the Lubrication Controller (timer). Disconnect power to the timer, and disconnect the hydraulic supply to the pump module to ensure that the system is depressurized. **See the pressure relief procedure in Pump Module manual 309098.**

Service Parts

Use Only Genuine Graco Repair Parts

⚠ WARNING

To prevent system overpressurization, a pressure relief valve 115122 must be used in conjunction with all vent valve installations. Failure to comply with this warning could result in serious injury.

Item	Description	Qty.
1	BODY, vent valve	1
2★	GASKET	1
3★	SEAT, valve	1
4★	O-RING, fluoroelastomer®	1
5★	RETAINER, packing	1
6★	Needle	1
7★	Piston (includes seal)	1
8	CYLINDER, hydraulic (PN 195625)	1

★ Included in Vent Valve Repair Kit 243188

Technical Data

Vent Valve 242063

Maximum hydraulic pressure . . . 1500 psi (10 MPa, 103 bar)
Maximum lubricant pressure . . . 3800 psi (26 MPa, 262 bar)
Hydraulic pressure required to seal valve
with 3500 psi (24 MPa, 241 bar)
lubricant pressure 200psi (1.4 MPa, 14 bar)

Recommended fluids . . . lubricant N.L.G.I. grade #1 or lighter
Dimensions height: 6.25 in., width: 2.25 in.
Mounting dimensions . . . (2) 5/16"–18unc holes spaced 1.5"
Hydraulic-side wetted parts . . . carbon steel, alum., buna–N
Fluid-side wetted parts carbon steel, fluoroelastomer

Graco Standard Warranty

Graco warrants all equipment manufactured by Graco and bearing its name to be free from defects in material and workmanship on the date of sale to the original purchaser for use. With the exception of any special, extended, or limited warranty published by Graco, Graco will, for a period of twelve months from the date of sale, repair or replace any part of the equipment determined by Graco to be defective. This warranty applies only when the equipment is installed, operated and maintained in accordance with Graco's written recommendations.

This warranty does not cover, and Graco shall not be liable for general wear and tear, or any malfunction, damage or wear caused by faulty installation, misapplication, abrasion, corrosion, inadequate or improper maintenance, negligence, accident, tampering, or substitution of non-Graco component parts. Nor shall Graco be liable for malfunction, damage or wear caused by the incompatibility of Graco equipment with structures, accessories, equipment or materials not supplied by Graco, or the improper design, manufacture, installation, operation or maintenance of structures, accessories, equipment or materials not supplied by Graco.

This warranty is conditioned upon the prepaid return of the equipment claimed to be defective to an authorized Graco distributor for verification of the claimed defect. If the claimed defect is verified, Graco will repair or replace free of charge any defective parts. The equipment will be returned to the original purchaser transportation prepaid. If inspection of the equipment does not disclose any defect in material or workmanship, repairs will be made at a reasonable charge, which charges may include the costs of parts, labor, and transportation.

THIS WARRANTY IS EXCLUSIVE, AND IS IN LIEU OF ANY OTHER WARRANTIES, EXPRESS OR IMPLIED, INCLUDING BUT NOT LIMITED TO WARRANTY OF MERCHANTABILITY OR WARRANTY OF FITNESS FOR A PARTICULAR PURPOSE.

Graco's sole obligation and buyer's sole remedy for any breach of warranty shall be as set forth above. The buyer agrees that no other remedy (including, but not limited to, incidental or consequential damages for lost profits, lost sales, injury to person or property, or any other incidental or consequential loss) shall be available. Any action for breach of warranty must be brought within two (2) years of the date of sale.

Graco makes no warranty, and disclaims all implied warranties of merchantability and fitness for a particular purpose in connection with accessories, equipment, materials or components sold but not manufactured by Graco. These items sold, but not manufactured by Graco (such as electric motors, switches, hose, etc.), are subject to the warranty, if any, of their manufacturer. Graco will provide purchaser with reasonable assistance in making any claim for breach of these warranties.

In no event will Graco be liable for indirect, incidental, special or consequential damages resulting from Graco supplying equipment hereunder, or the furnishing, performance, or use of any products or other goods sold hereto, whether due to a breach of contract, breach of warranty, the negligence of Graco, or otherwise.

FOR GRACO CANADA CUSTOMERS

The parties acknowledge that they have required that the present document, as well as all documents, notices and legal proceedings entered into, given or instituted pursuant hereto or relating directly or indirectly hereto, be drawn up in English. Les parties reconnaissent avoir convenu que la rédaction du présente document sera en Anglais, ainsi que tous documents, avis et procédures judiciaires exécutés, donnés ou intentés à la suite de ou en rapport, directement ou indirectement, avec les procédures concernées.

Graco Information

TO PLACE AN ORDER, contact your Graco distributor, or call one of the following numbers to identify the distributor closest to you:

Phone: 612–623–6928, **Toll Free:** 1–800–533–9655, **Fax:** 612–378–3590

All written and visual data contained in this document reflect the latest product information available at the time of publication. Graco reserves the right to make changes at any time without notice.

This manual contains English. MM 309099

Graco Headquarters: Minneapolis
International Offices: Belgium, Korea, China, Japan

GRACO INC. P.O. BOX 1441 MINNEAPOLIS, MN 55440–1441
Copyright 1999, Graco Inc. is registered to I.S. EN ISO 9001

www.graco.com
Revised 10/2008