

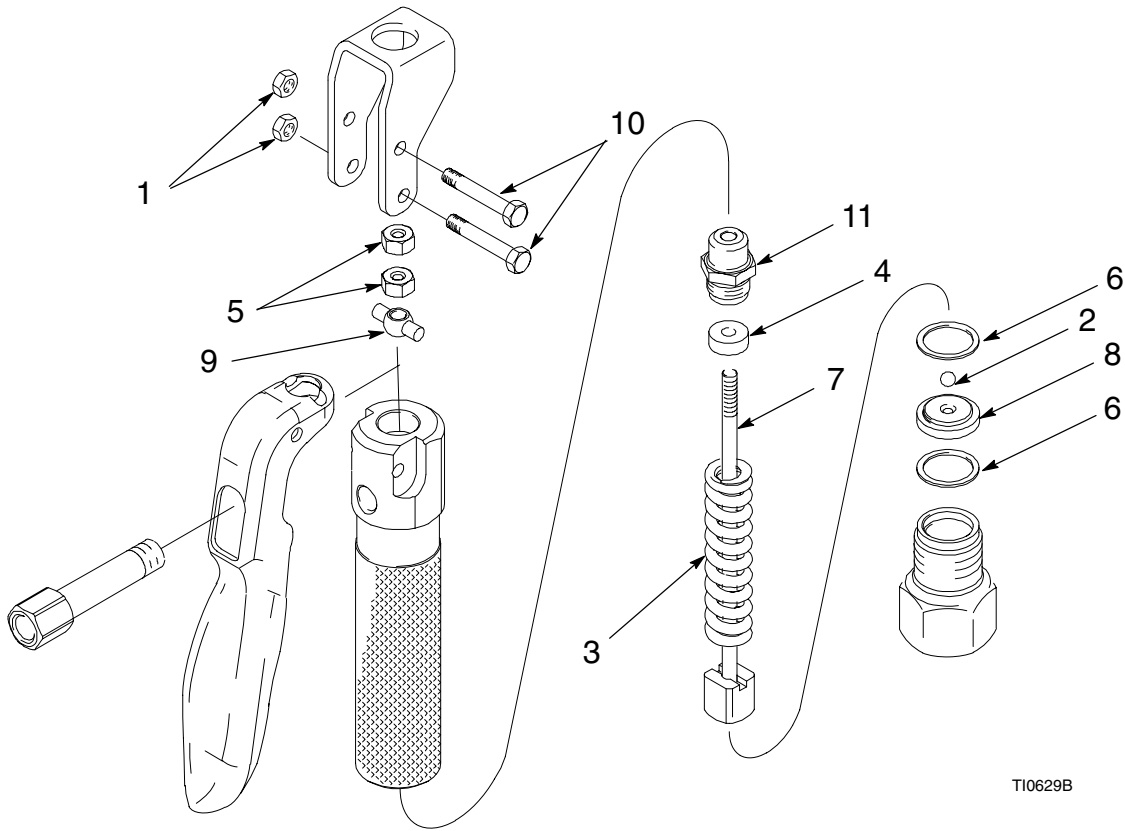
Instructions – Parts List



Pro-Shot™ Grease Dispense Valve Service Kit 309119D

Part No. 243446

Used on Models 242055, 242056, 242057, and 242058



T10629B

Ref. No.	Description	Qty.	Ref. No.	Description	Qty.
1	NUT, self-locking; 10-32	2	7	PLUNGER/ROD ASSY.	1
2	BALL, carbide	1	8	SEAT, valve	1
3	SPRING, compression	1	9	YOKE	1
4	SEAL	1	10	SHAFT, pivot	2
5	NUT, hex; 10-32	2	11	GUIDE, rod	1
6	GASKET; copper	2			

Installation

See instruction manual 309032 for troubleshooting guide. Replace all parts included in this service kit, checking all parts thoroughly when disassembling, and carefully replace any additional parts that are worn or damaged.

Adjustment

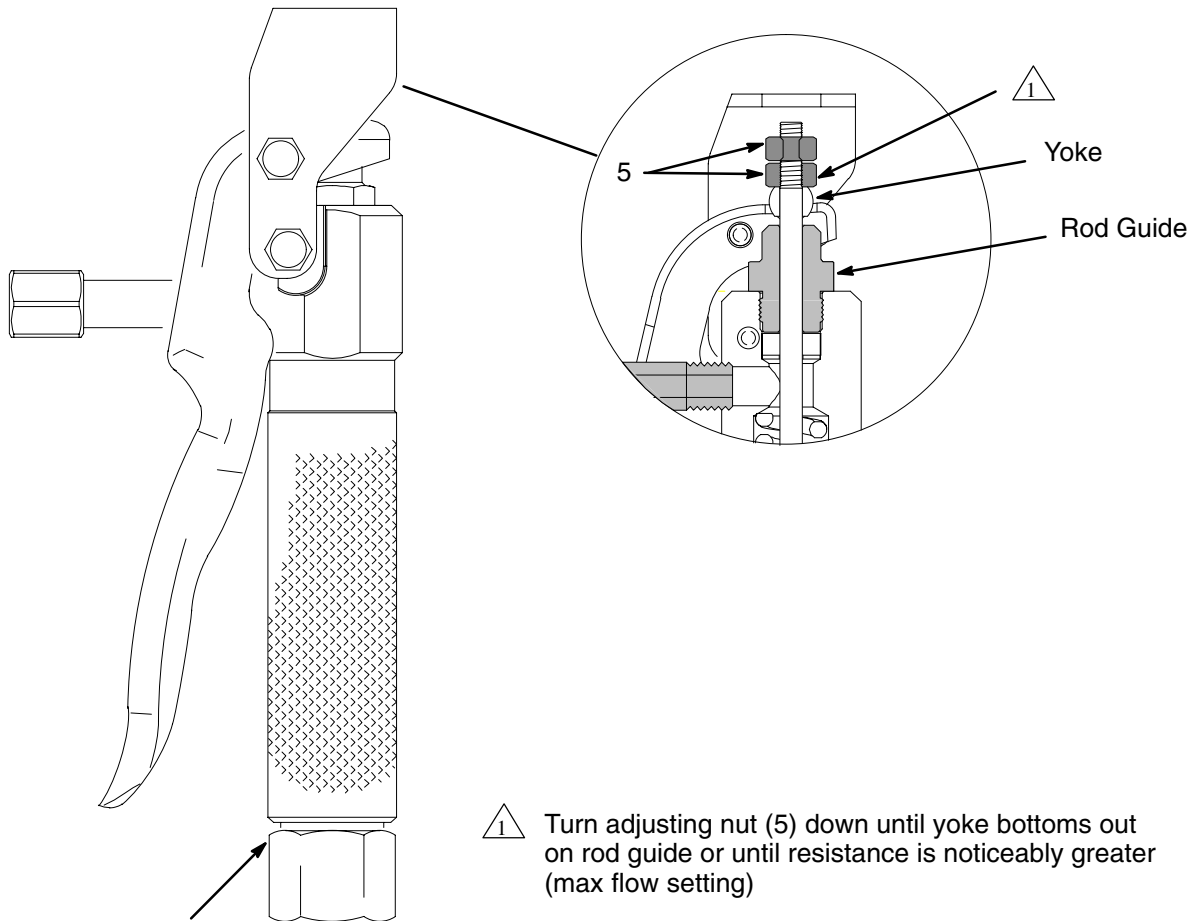
WARNING

To reduce the risk of serious injury whenever you are instructed to relieve pressure, always follow the **Pressure Relief Procedure** in instruction manual 309032.

1. Relieve the pressure.

2. To adjust the clearance, loosen the top nut (Fig. 1, item 5) and turn the bottom nut (5) in or out as needed. Hold the bottom nut in place and securely tighten the top nut.

3. For less than maximum flow, back off bottom nut (5).



Torque 80 – 100 ft. lbs.

Fig. 1

T10628

All information, illustrations and specifications in this document are based on the latest product information available at the time of publication. The right is reserved to make changes at any time without notice.

Sales Offices: Minneapolis, Detroit
International Offices: Belgium, Korea, Hong Kong, Japan

www.graco.com

PRINTED IN U.S.A. 309119 01/2000, Revised 02/2002