

## Airless Paint Sprayers

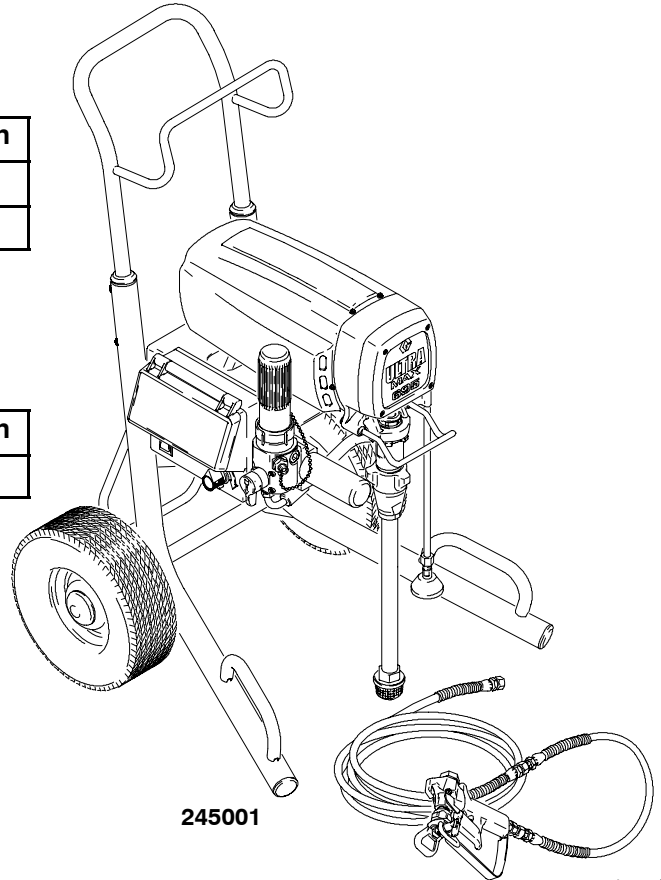
3300 psi (227 bar, 22.7 MPa) Maximum Working Pressure

### Ultra Max 695™

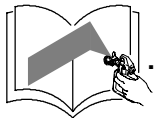
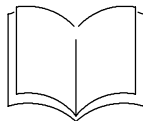
Type	Series	Hi-boy	Lo-boy	Spray Gun
695™	B	245001	245003	243282
695™	B	245000	245002	None

### Ultra 695™

Type	Series	Hi-boy	Lo-boy	Spray Gun
695™	A	246308	246309	None



Related manuals



Operation

..... 309257



Spray Gun

..... 309639



Sprayer Repair

..... 309251



Pump Repair

..... 309250

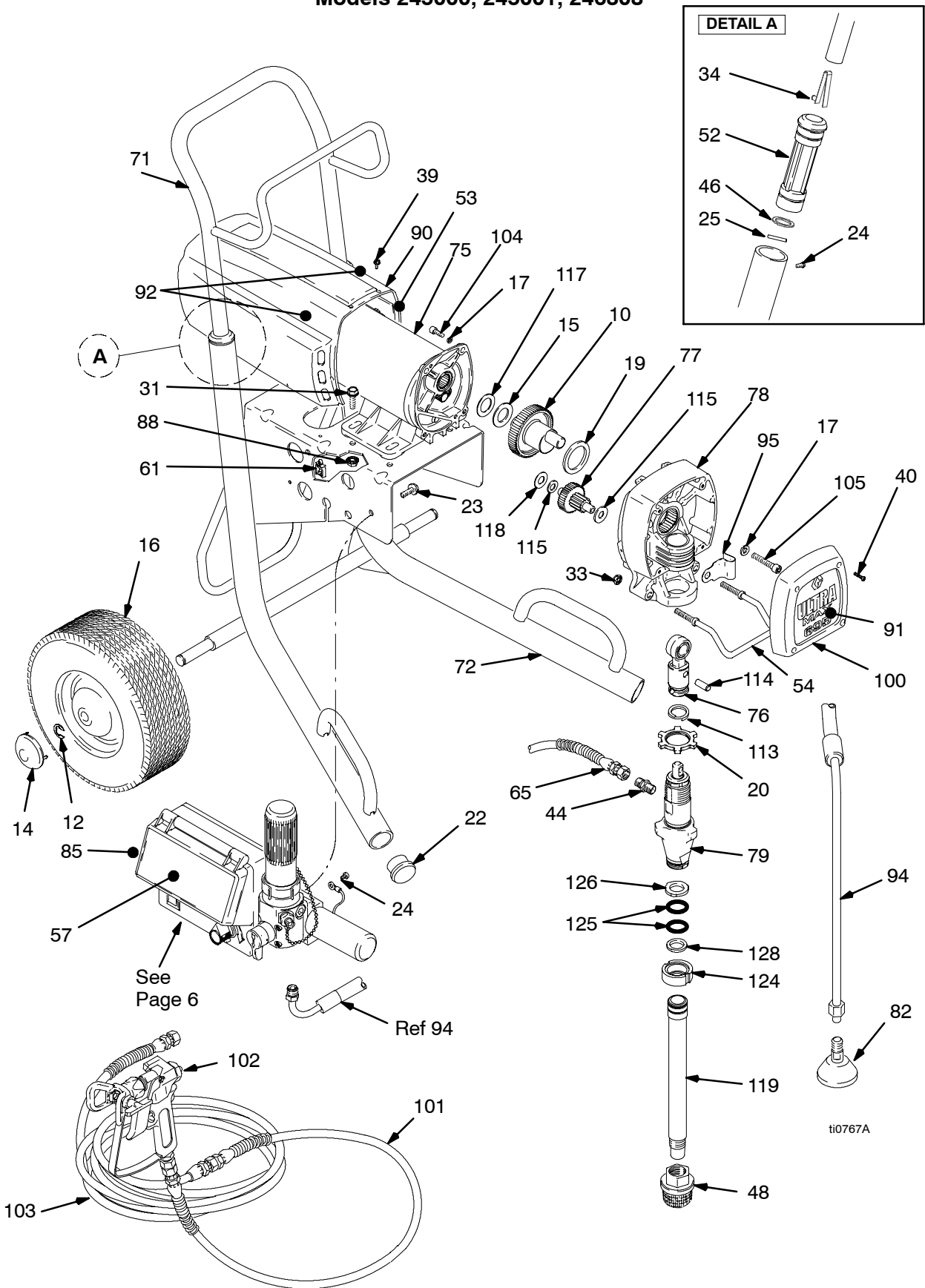


Spray Tip

..... 309640

# Parts Drawing - Sprayer

Models 245000, 245001, 246308



# Parts List - Sprayer

## Models 245000, Series B; 245001, 246308; Series A

REF NO.	PART NO.	DESCRIPTION	QTY	REF NO.	PART NO.	DESCRIPTION	QTY
10	244245	GEAR, crankshaft includes 15, 19, 117	1	79	246428	<b>PUMP, DISPLACEMENT</b> Manual 309250	1
12	101242	RING, retaining, ext.	2	82	241920	KIT, repair, diffuser	1
14	104811	CAP, hub	2	85	195833▲	LABEL, warning	1
15	107434	BEARING, thrust	1	88	110996	NUT, hex, flanged	4
16	106062	WHEEL, semi pneumatic	2	90	244254	SHIELD, motor, ULTRA 695	1
17	104008	WASHER, lock, spring	4	91		LABEL, ident, front	
19	180131	BEARING, thrust	1		196713	245000, 245001	1
20	195150	NUT, jam, pump	1		15B983	245308	1
22	108691	PLUG, tubing	2	92		LABEL, ident, side	
23	111801	SCREW, cap, hex hd	2		196714	245000, 245001, either side	2
24	109032	SCREW, mach, pnh	5		15B704	246308, left side	1
25	108068	PIN, spring, straight	2		15B703	246308, right side	1
31	112586	SCREW, cap,hex hd	4	94	244240	HOSE, coupled	1
33	112746	NUT, hex	2	95	197124	CLIP, spring	1
34	112827	BUTTON, snap	2	100	244238	COVER, housing	1
39	115492	SCREW, mach, slot hex wash hd	4			includes 40, 91	
40	114418	SCREW, self tap, fil hd	4	101†	238358	HOSE, whip, 3/16" x 3'	1
44	162453	NIPPLE	1	102†	246220	<b>SPRAY GUN, contractor</b> <b>Manual 309639</b>	1
46	183350	WASHER	2				
48	246385	STRAINER	1	103†	240794	HOSE, 1/4" x 50'	1
52	192027	SLEEVE, cart	2	104	101864	SCREW, cap sch	2
53	195805▲	LABEL, danger, st	1	105	116138	SCREW, cap,socket head	2
54	192719	HANGER, pail	1	113	196750	SPRING, retaining	1
57		LABEL, crt1 box cover, ULTRA		114	196762	PIN, straight	1
	196670	245000, 245001	1	115	116079	BEARING, thrust	2
	15B702	246308	1	117	116074	WASHER, thrust	1
61	114687	CLIP, retainer	1	118	116073	WASHER, thrust	1
65	243994	HOSE, coupled, 1/4" X 13"	1	119	15B833	TUBE, intake suction (695)	1
71	245245	HANDLE, cart	1	124	15B434	JAM NUT	1
72	196617	FRAME, cart (695,795,1095)	1	125	103413	O-RING	2
75	243718*	<b>MOTOR, electric, .9HP</b>	1	126	115099	WASHER, garden hose	1
76	244243	<b>ROD, CONNECTING</b>	1	128	15B652	WASHER	1
77	244242	GEAR, reducer includes 115, 118	1				
78	244205	HOUSING, DRIVE	1				

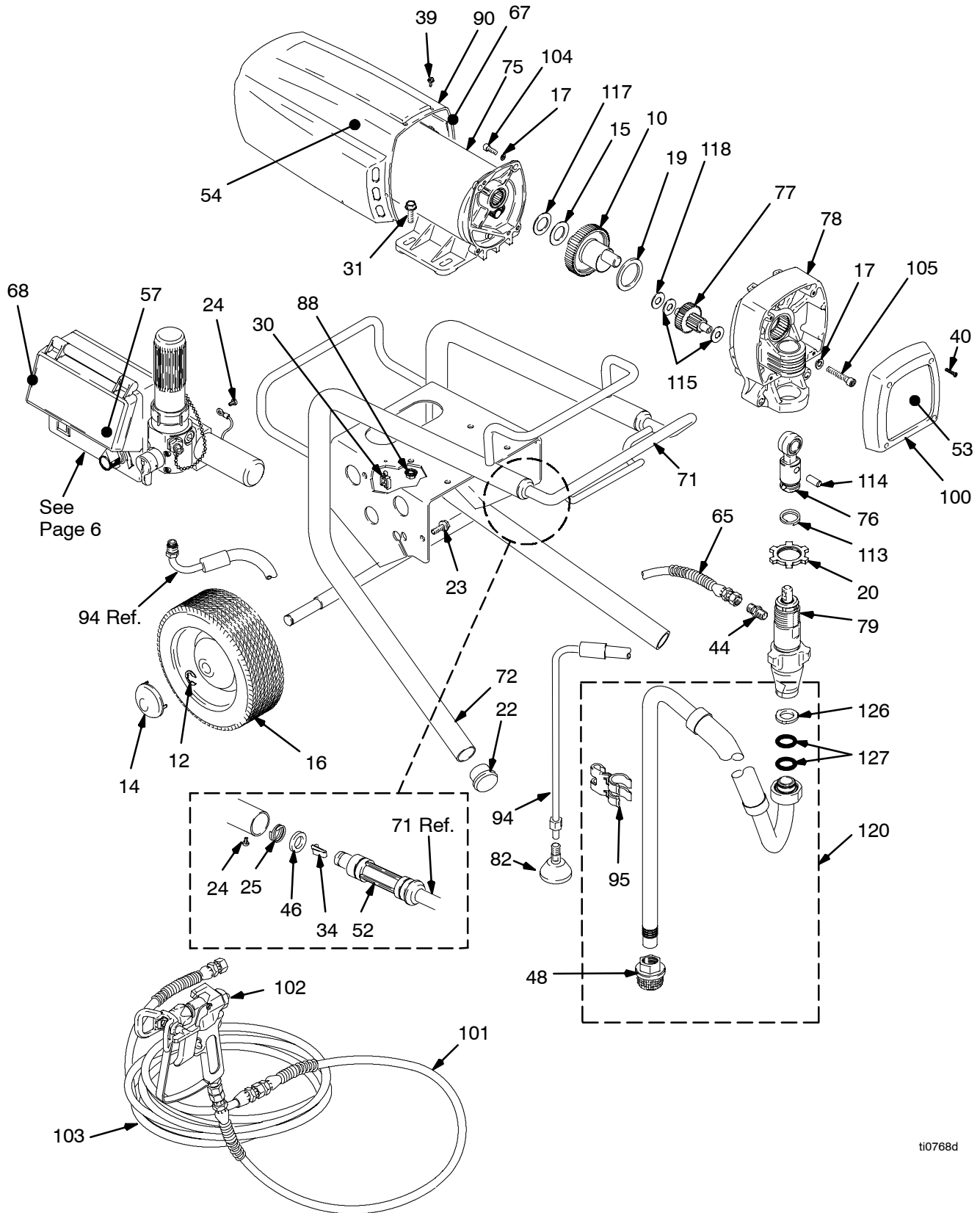
▲Extra Danger and Warning tags and labels available free.

\* Motor Brush Kit 236967 is available

† Model 245001 only

# Parts Drawing - Sprayer

Models 245002, 245003, 246309



ti0768d

# Parts List - Sprayer

## Model 245002, Series B; 245003, 246309; Series A

REF NO.	PART NO.	DESCRIPTION	QTY	REF NO.	PART NO.	DESCRIPTION	QTY
10	244245	GEAR, crankshaft includes 15, 19, 117	1	71	243205	HANDLE, assembly	1
12	101242	RING, retaining, ext.	2	72	196746	FRAME, CART (LO-BOY)	1
14	104811	CAP, hub	2	75	243718	<b>MOTOR, electric, .9HP</b>	1
15	107434	BEARING, thrust	1	76	244243	<b>ROD, CONNECTING</b>	1
16	195766	WHEEL, semi pneumatic	2	77	244242	<b>GEAR, REDUCER</b> includes 115, 118	1
17	104008	WASHER, lock, spring	4	78	244205	HOUSING, DRIVE	1
19	180131	BEARING, THRUST	1	79	246428	<b>PUMP, DISPLACEMENT</b>	1
20	195150	NUT, jam, pump	1	82	241920	KIT, repair, diffuser	1
22	107310	PLUG, tubing	2	88	110996	NUT, hex, flanged	4
23	111801	SCREW, cap, hex hd	2	90	244254	SHIELD, motor, ULTRA 695	1
24	109032	SCREW, mach, pnh	5	94	244239	HOSE, drain, ULTRA 695 Lo-Boy includes 82, 95	1
25	116227	RING, retaining	2	95	276888	CLIP	1
30	114687	CLIP, retainer	1	100	244238	COVER, housing	1
31	112586	SCREW, cap, hex hd	4	101†	238358	HOSE, whip, 3/16" x 3'	1
34	178565	BUTTON, snap	2	<b>102†</b>	<b>246220</b>	<b>SPRAY GUN, contractor</b> <b>Manual 309639</b>	<b>1</b>
39	115492	SCREW, mach, slot hex wash hd	4	103†	240794	HOSE, 1/4" x 50'	1
40	114418	SCREW, self tap, fil hd	4	104	101864	SCREW, CAP SCH	2
44	162453	NIPPLE	1	105	116138	SCREW, CAP, SOCKET HEAD	2
46	195673	WASHER	2	113	196750	SPRING, retaining	1
48	246385	STRAINER	1	114	196762	PIN, straight	1
52	195501	SLEEVE, cart	2	115	116079	BEARING, thrust	2
53	196713	LABEL, ident, front 245002, 245003	1	117	116074	WASHER, thrust	1
	15B983	245309	1	118	116073	WASHER, thrust	1
54	196714	LABEL, ident, side 245002, 245003, either side	2	120	246386	KIT, hose, suction includes 48, 95, 126, 127	1
	15B704	246309, left side	1	126	115099	WASHER, garden hose	1
	15B703	246309, right side	1	127	117559	O-RING	2
57	196670	LABEL, crt'l box cover, ULTRA Models 245002, 245003	1				
	15B702	Model 246309	1				
65	243994	HOSE, coupled, 1/4" X 13"	1				
67	195805▲	LABEL, danger, st	1				
68	195833▲	LABEL, warning	1				

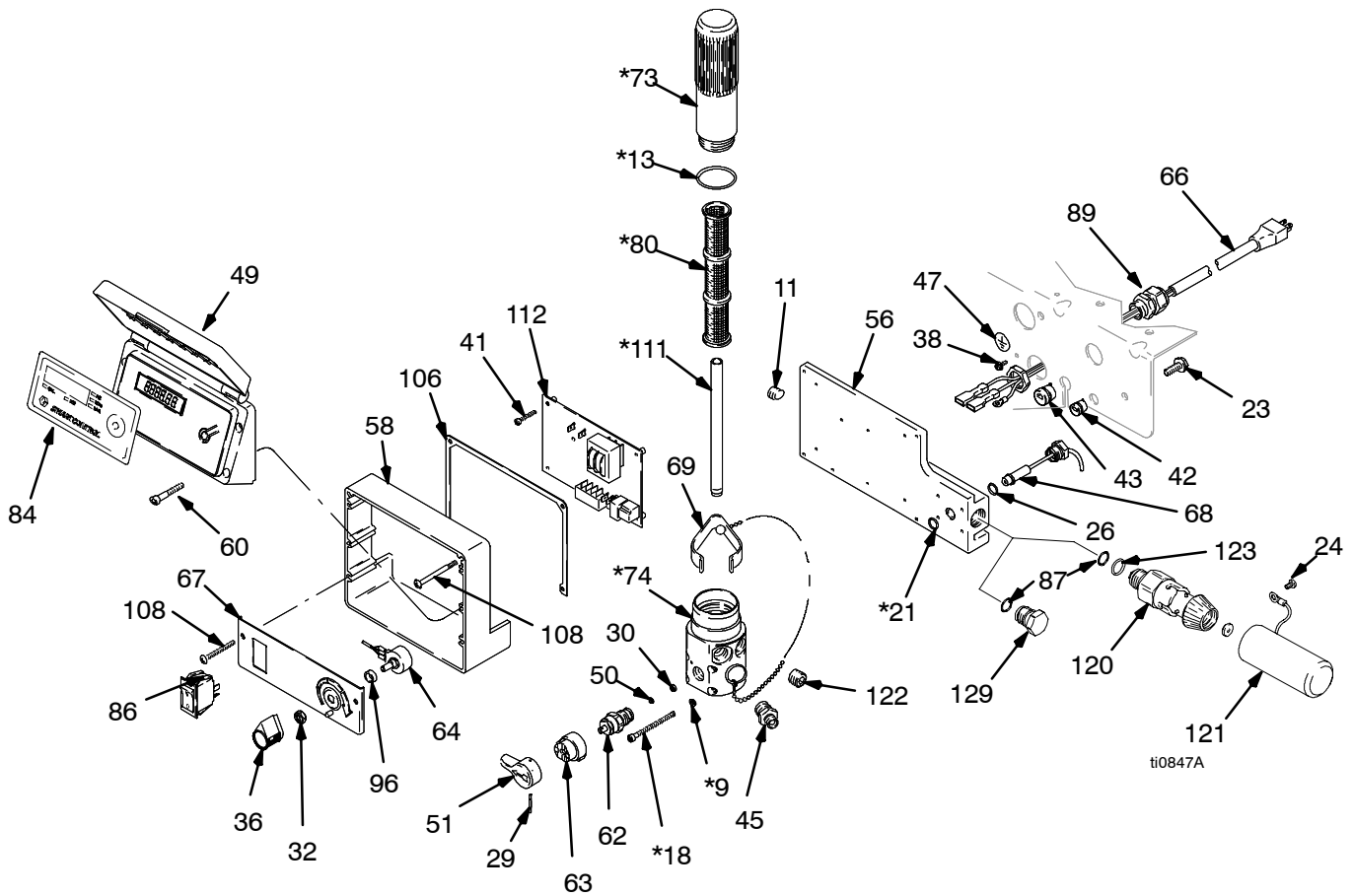
▲Extra Danger and Warning tags and labels available free.

\* Motor Brush Kit 236967 is available

† Model 245003 only

# Parts Drawing - Sprayer

Models 245000 - 245003, 246308, 246309



# Parts List - Sprayer

Models 245000 - 245003, 246308, 246309

REF NO.	PART NO.	DESCRIPTION	QTY	REF NO.	PART NO.	DESCRIPTION	QTY
9*	100020	WASHER, lock	4	66	196831	CORD, power	1
11	100721	PLUG, pipe	1	67	196678	PANEL, control, U-696 & U-795	1
13*	104361	PACKING, o-ring	1	68	243222	TRANSDUCER, pressure control, includes 26	1
18*	107183	SCREW, cap,socket hd	4	69	244346	CLAMP, trigger, AutoClean	1
21*	107505	PACKING, o-ring	1	70	197278	CONNECTOR, electrical	1
23	111801	SCREW, cap,hex hd	2	73*	196675	BOWL, filter	1
26	111457	PACKING, o-ring	1	74*	196676	HOUSING, filter	1
29	111600	PIN, grooved	1	80*	244067	FILTER, FLUID, 60-mesh	1
30	111699	GASKET, seat,valve	1	84†	196668	LABEL, ULTRA, LCD	1
32	112382	NUT, shaft, sealing	1	86	116098	SWITCH, power	1
36	116167	KNOB, pot	1	87	197055	SEAL, washer	1
38	114391	SCREW, grounding	1	89	116171	BUSHING, strain relief	1
41	114420	SCREW, mach, pnh, sems, phillips	6	96	116200	SPACER, shaft	1
42	116354	BUSHING, strain relief	1	106	196707	GASKET, control, ULTRA	1
43	114689	BUSHING, strain relief	1	108	116304	SCREW, mach,pan hd	4
45	164672	ADAPTER	1	111*	196786	DIFFUSER, tube	1
47	186620	LABEL, symbol, ground	1	112	244237	BOARD, control 110V	1
49	244228	Models 245000 - 245003	1	120	244253	VALVE, flush, includes 87	1
	246560	Models 246308, 246309	1			Models 245000 - 245003	1
50	187615	SEAT, valve	1	121†	197178	COVER, AutoClean	1
51	187625	HANDLE, valve, drain	1	122	101754	PLUG, pipe	1
56	196699	PLATE, power bar	1	123†	102982	O-RING	1
58	196191	HOUSING, control	1	129	196781	PLUG, AutoClean	1
60	116252	SCREW, #8 taptite phil	4			Models 246308, 246309	1
62	235014	VALVE, drain, includes 30, 50	1			* Included in Filter Repair Kit 244513	
63	224807	BASE, valve	1			† Not included on 246308 and 246309	
64	236352	POTENTIOMETER, adjust, pressure	1				

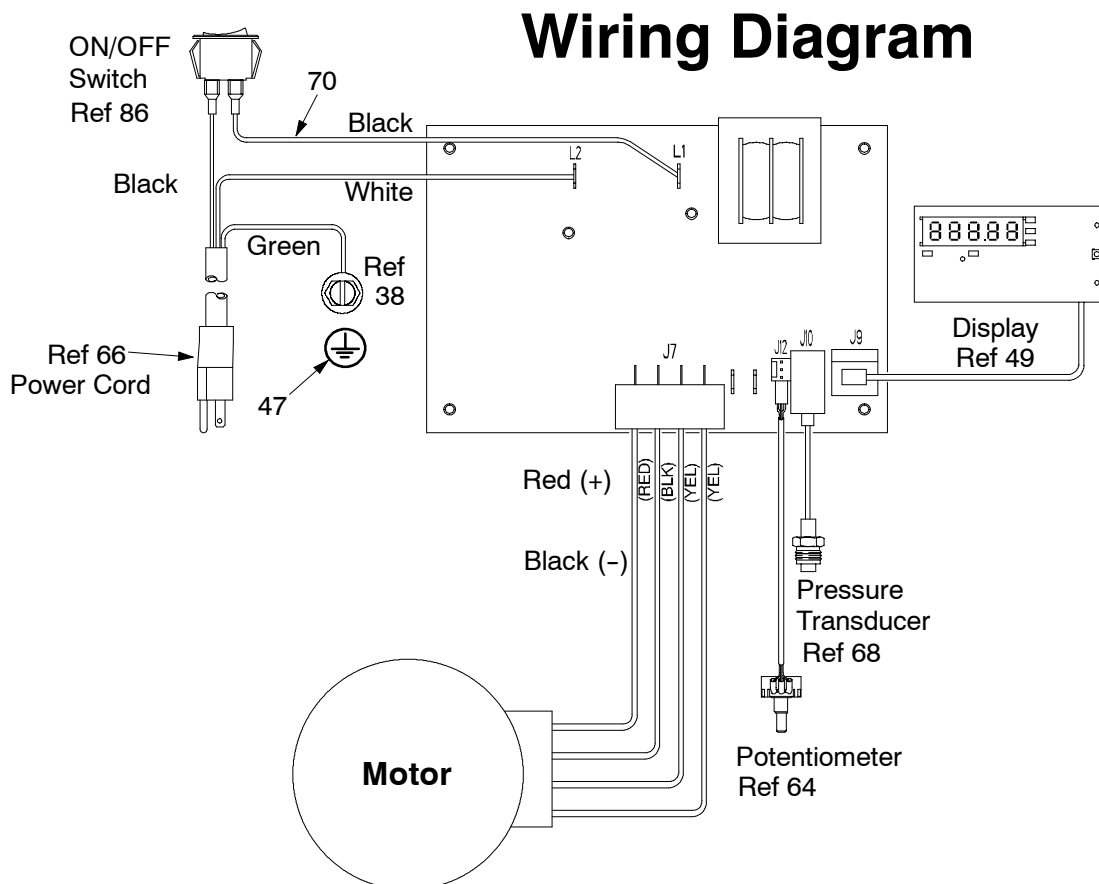


Fig. 1

ti0848A

**TO PLACE AN ORDER OR FOR SERVICE**, contact your Graco distributor, or call this number to identify the distributor closest to you: **1-800-690-2894 Toll Free**

*All written and visual data contained in this document reflect the latest product information available at the time of publication. Graco reserves the right to make changes at any time without notice.*

**Sales Offices:** Minneapolis, Detroit

**International Offices:** Belgium, Korea, Hong Kong, Japan

**GRACO INC. P.O. BOX 1441 MINNEAPOLIS, MN 55440-1441**

**<http://www.graco.com>**

PRINTED IN USA 309252 12/2000, Revised 4/2003