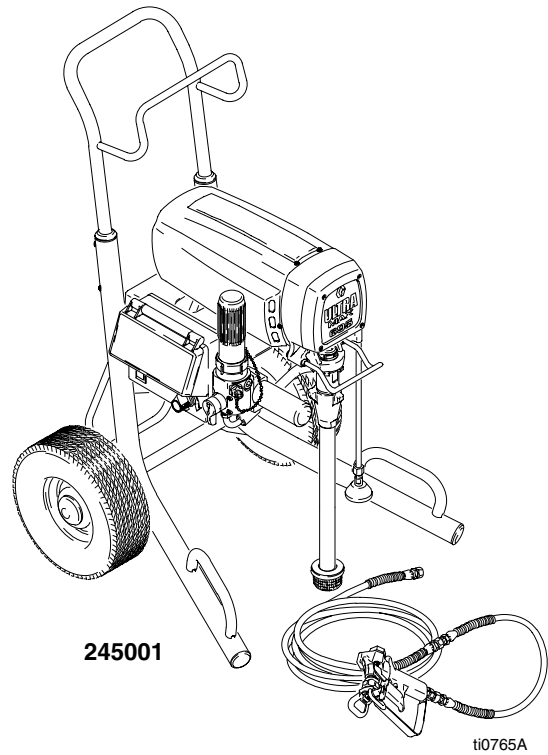


Ultra Max 695™ Airless Paint Sprayers

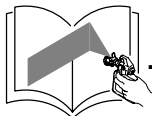
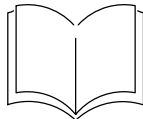
3300 psi (227 bar, 22.7 MPa) Maximum Working Pressure

120 VAC

Type	Series	Hi-boy	Lo-boy	Spray Gun
695™	A	245001	245003	243282
695™	A	245000	245002	None
695™	A	246308	246309	None



Related manuals



..... 309249

Operation



..... 309091

Spray Gun



..... 309251

Sprayer Repair



..... 309250

Pump Repair

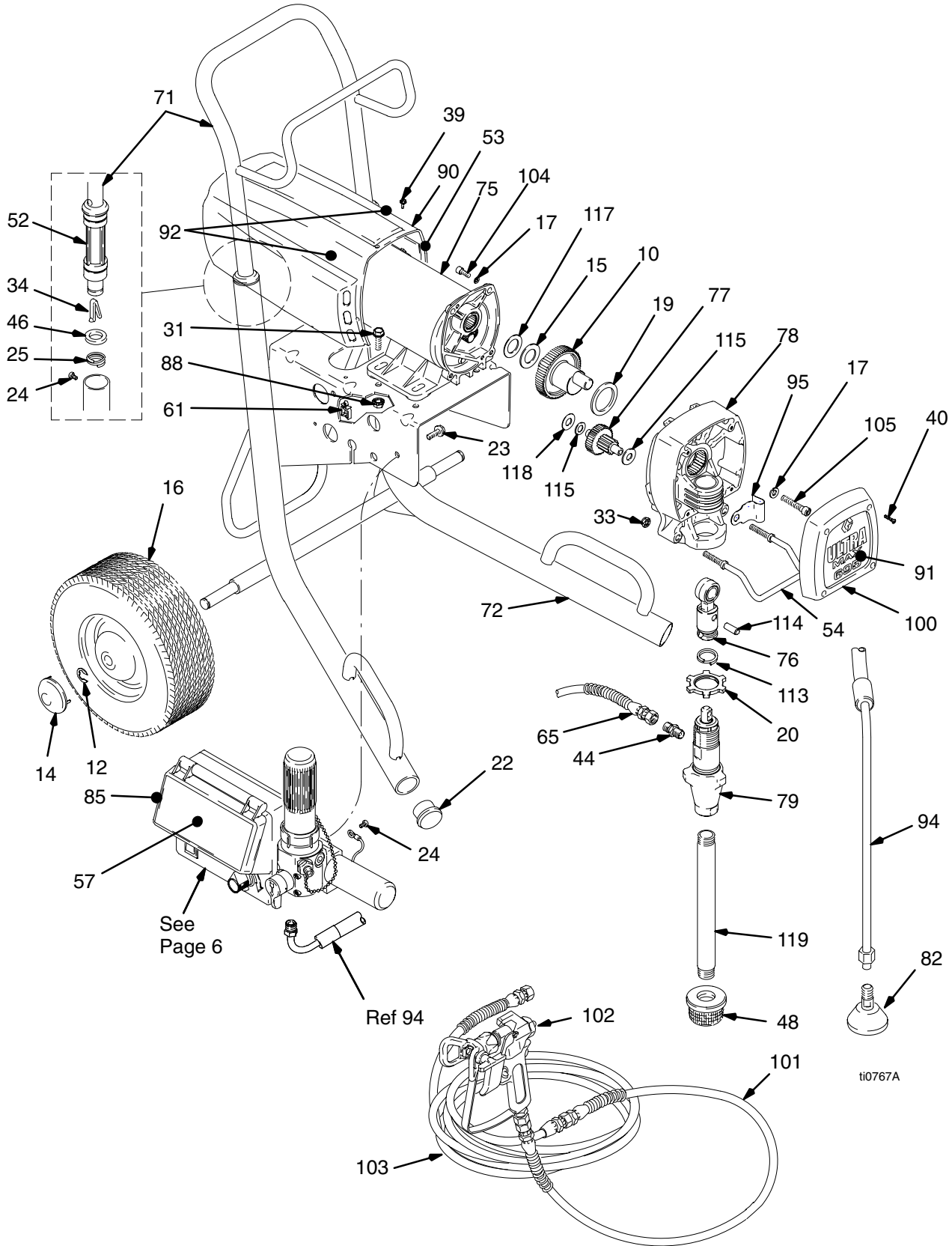


..... 309055

Spray Tip

Parts Drawing - Sprayer

Models 245000, 245001, 246308



Parts List - Sprayer

Models 245000, 245001, 246308; Series A

REF NO.	PART NO.	DESCRIPTION	QTY	REF NO.	PART NO.	DESCRIPTION	QTY
10	244245	GEAR, crankshaft includes 15, 19, 117	1	76	244243	ROD, CONNECTING	1
12	101242	RING, retaining, ext.	2	77	244242	GEAR, reducer includes 115, 118	1
14	104811	CAP, hub	2	78	244205	HOUSING, DRIVE	1
15	107434	BEARING, thrust	1	79	244195	PUMP, DISPLACEMENT	1
16	106062	WHEEL, semi pneumatic	2			Manual 309250	
17	104008	WASHER, lock, spring	4	82	241920	KIT, repair, diffuser	1
19	180131	BEARING, thrust	1	85	195833▲	LABEL, warning	1
20	195150	NUT, jam, pump	1	88	110996	NUT, hex, flanged	4
22	108691	PLUG, tubing	2	90	244254	SHIELD, motor, ULTRA 695	1
23	111801	SCREW, cap, hex hd	2	91	196713	LABEL, ident,front (695)	1
24	109032	SCREW, mach, pnh	5	92	196714	LABEL, ident, side, ULTRA (695)	2
25	110243	RING, retaining	2	94	244240	HOSE, coupled	1
31	112586	SCREW, cap,hex hd	4	95	197124	CLIP, spring	1
33	112746	NUT, hex	2	100	244238	COVER, housing includes 40, 91	1
34	112827	BUTTON, snap	2				
39	115492	SCREW, mach, slot hex wash hd	4	101†	238358	HOSE, whip, 3/16" x 3'	1
40	114418	SCREW, self tap, fil hd	4	102†	220955	SPRAY GUN, contractor	1
44	162453	NIPPLE	1			Manual 309091	
46	183350	WASHER	2	103†	240794	HOSE, 1/4" x 50'	1
48	183770	STRAINER	1	104	101864	SCREW, cap sch	2
52	192027	SLEEVE, cart	2	105	116138	SCREW, cap,socket head	2
53	195805▲	LABEL, danger, st	1	113	196750	SPRING, retaining	1
54	192719	HANGER, pail	1	114	196762	PIN, straight	1
57		LABEL, crt1 box cover, ULTRA		115	116079	BEARING, thrust	2
	196670	Models 245000, 245001	1	117	116074	WASHER, thrust	1
	15B702	Model 246308	1	118	116073	WASHER, thrust	1
61	114687	CLIP, retainer	1	119	196761	TUBE, intake suction (695)	1
65	243994	HOSE, coupled, 1/4" X 13"	1				
71	239998	HANDLE, cart	1				
72	196617	FRAME, cart (695,795,1095)	1				
75	243718*	MOTOR, electric, .9HP	1				

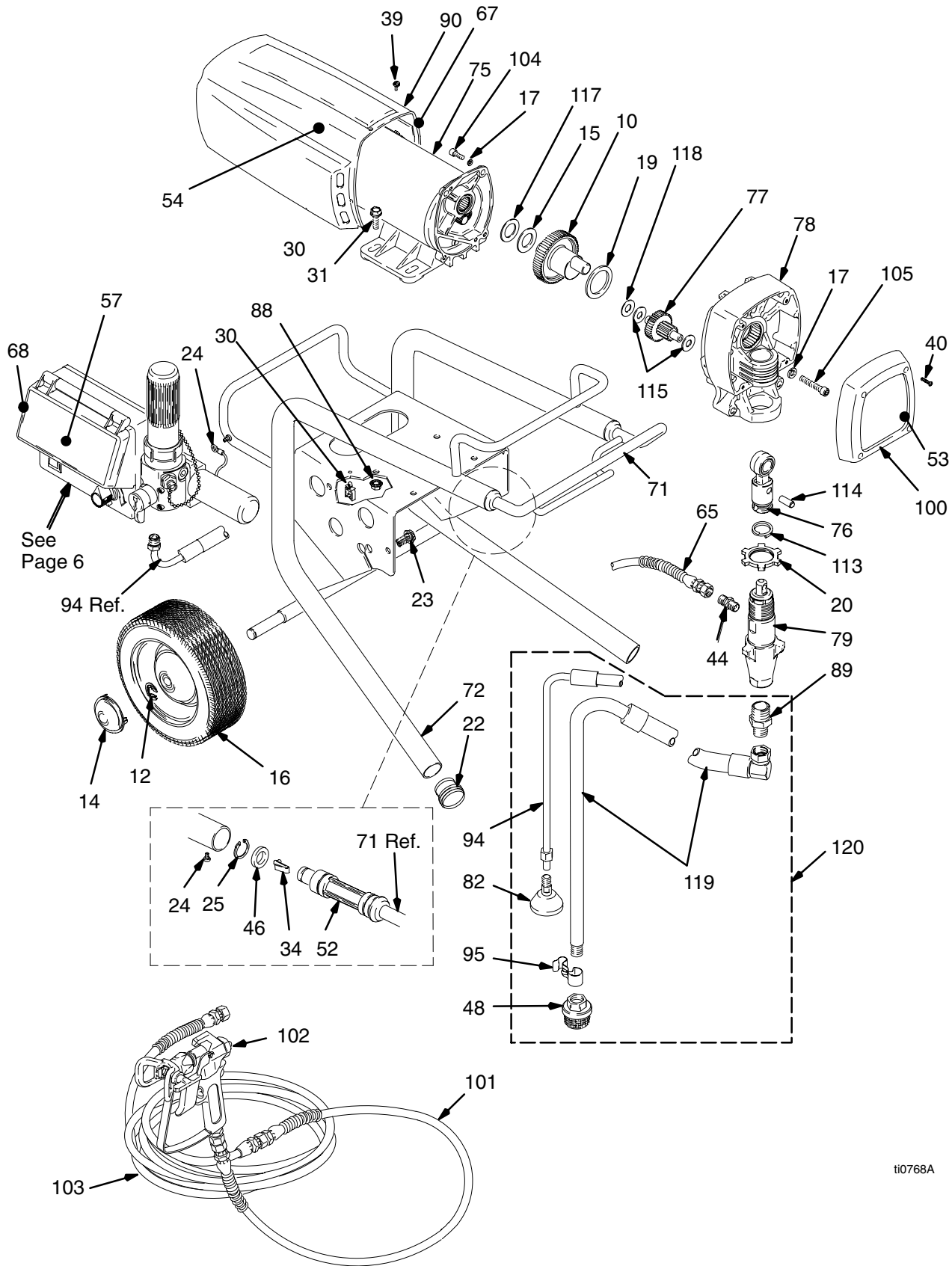
▲Extra Danger and Warning tags and labels available free.

* Motor Brush Kit 236967 is available

† Model 245001 only

Parts Drawing - Sprayer

Models 245002, 245003, 246309



ti0768A

Parts List - Sprayer

Model 245002, 245003, 246309; Series A

REF NO.	PART NO.	DESCRIPTION	QTY	REF NO.	PART NO.	DESCRIPTION	QTY
10	244245	GEAR, crankshaft includes 15, 19, 117	1	75	243718	MOTOR, electric, .9HP	1
12	101242	RING, retaining, ext.	2	76	244243	ROD, CONNECTING	1
14	104811	CAP, hub	2	77	244242	GEAR, REDUCER	1
15	107434	BEARING, thrust	1			includes 115, 118	
16	195766	WHEEL, semi pneumatic	2	78	244205	HOUSING, DRIVE	1
17	104008	WASHER, lock, spring	4	79	244195	PUMP, DISPLACEMENT	1
19	180131	BEARING, THRUST	1	82	241920	KIT, repair, diffuser	1
20	195150	NUT, jam, pump	1	88	110996	NUT, hex, flanged	4
22	107310	PLUG, tubing	2	89	196142	ADAPTER, 1/2 npt x 3/4 npt	1
23	111801	SCREW, cap, hex hd	2	90	244254	SHIELD, motor, ULTRA 695	1
24	109032	SCREW, mach, pnh	5	94	244239	HOSE, drain, ULTRA 695 Lo-Boy	1
25	116227	RING, retaining	2			includes 82, 95	
30	114687	CLIP, retainer	1	95	195186	CLIP	1
31	112586	SCREW, cap, hex hd	4	100	244238	COVER, housing	1
34	178565	BUTTON, snap	2	101†	238358	HOSE, whip, 3/16" x 3'	1
39	115492	SCREW, mach, slot hex wash hd	4	102†	220955	SPRAY GUN, contractor	1
40	114418	SCREW, self tap, fil hd	4			Manual 309091	
44	162453	NIPPLE	1	103†	240794	HOSE, 1/4" x 50'	1
46	195673	WASHER	2	104	101864	SCREW, CAP SCH	2
48	235004	STRAINER, 3/4-16 UNF	1	105	116138	SCREW, CAP, SOCKET HEAD	2
52	195501	SLEEVE, cart	2	113	196750	SPRING, retaining	1
53	196713	LABEL, front cover	1	114	196762	PIN, straight	1
54	196714	LABEL, side	2	115	116079	BEARING, thrust	2
57		LABEL, crt1 box cover, ULTRA		117	116074	WASHER, thrust	1
	196670	Models 245002, 245003	1	118	116073	WASHER, thrust	1
	15B702	Model 246309	1	119	244353	HOSE, suction, flexible, female	1
65	243994	HOSE, coupled, 1/4" X 13"	1	120	244358	HOSE SET	1
67	195805▲	LABEL, danger, st	1			includes 48, 89, 94, 119	
68	195833▲	LABEL, warning	1				
71	243205	HANDLE, assembly	1				
72	196746	FRAME, CART (LO-BOY)	1				

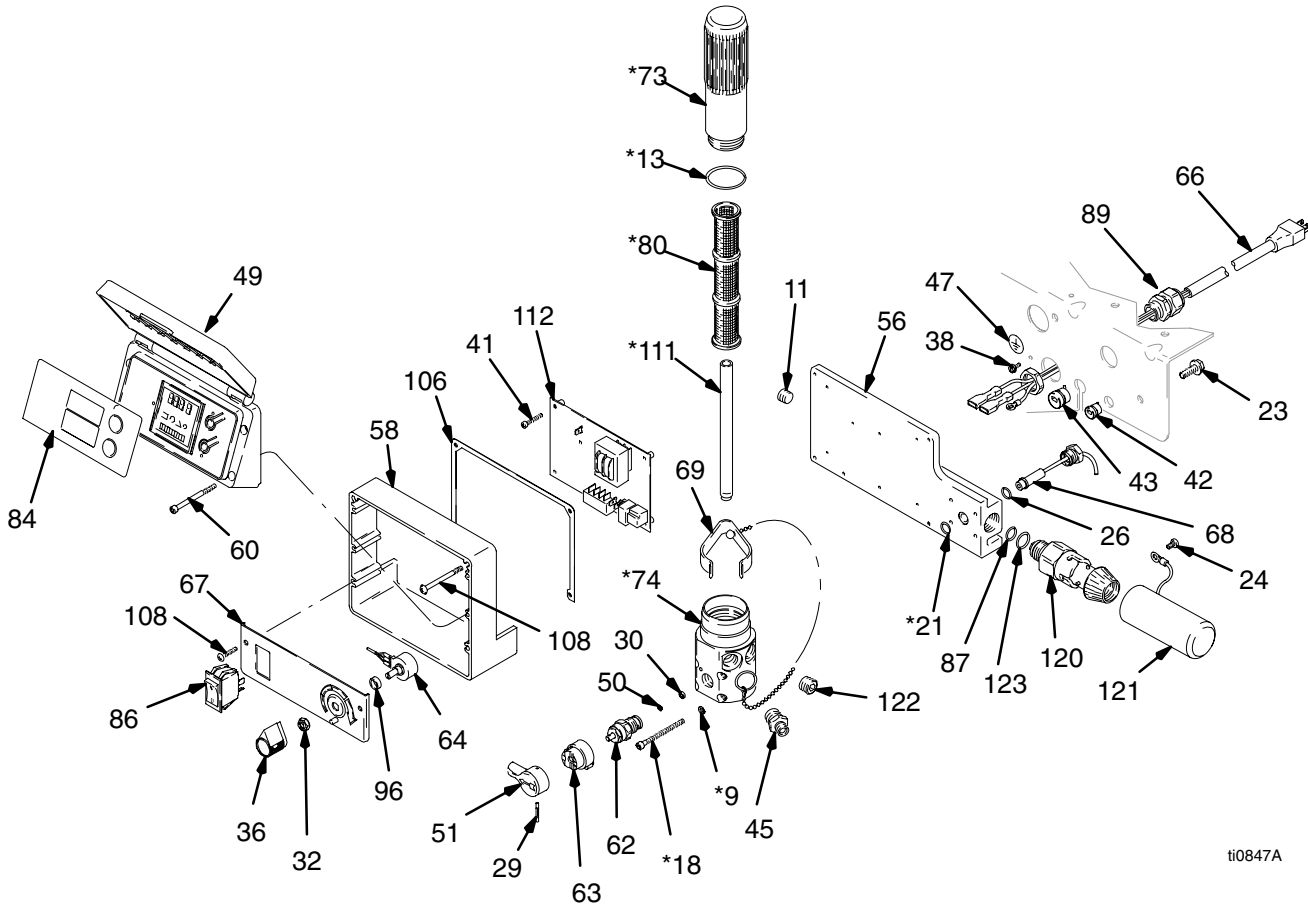
▲Extra Danger and Warning tags and labels available free.

* Motor Brush Kit 236967 is available

† Model 245003 only

Parts Drawing - Sprayer

Ultra Max 695



ti0847A

Parts List - Sprayer

Models 245000 – 245003, 246308, 246309

REF NO.	PART NO.	DESCRIPTION	QTY	REF NO.	PART NO.	DESCRIPTION	QTY
9*	100020	WASHER, lock	4	64	236352	POTENTIOMETER, adjust, pressure	1
11	100721	PLUG, pipe	1	66	196831	CORD, power	1
13*	104361	PACKING, o-ring	1	67	196678	PANEL, control, U-696 & U-795	1
18*	107183	SCREW, cap,socket hd	4	68	243222	TRANSDUCER, pressure control, includes 26	1
21*	107505	PACKING, o-ring	1	69	244346	CLAMP, trigger, AutoClean	1
23	111801	SCREW, cap,hex hd	2	70	197278	CONNECTOR, electrical	1
26	111457	PACKING, o-ring	1	73*	196675	BOWL, filter	1
29	111600	PIN, grooved	1	74*	196676	HOUSING, filter	1
30	111699	GASKET, seat,valve	1	80*	244067	FILTER, FLUID, 60-mesh	1
32	112382	NUT, shaft, sealing	1	84†	196668	LABEL, ULTRA, LCD	1
36	116167	KNOB, pot	1	86	116098	SWITCH, power	1
38	114391	SCREW, grounding	1	87	197055	SEAL, washer	1
41	114420	SCREW, mach, pnh, sems, phillips	6	89	116171	BUSHING, strain relief	1
42	116354	BUSHING, strain relief	1	96	116200	SPACER, shaft	1
43	114689	BUSHING, strain relief	1	106	196707	GASKET, control, ULTRA	1
45	164672	ADAPTER	1	108	116304	SCREW, mach,pan hd	4
47	186620	LABEL, symbol, ground	1	111*	196786	DIFFUSER, tube	1
49		DISPLAY, digital, includes 84, 57		112	244237	BOARD, control 110V	1
	244228	Models 245000 – 245003	1	120		VALVE, flush, includes 87	
	197293	Models 246308, 246309	1		244253	Models 245000 – 245003	1
50	187615	SEAT, valve	1		196781	Models 246308, 246309	1
51	187625	HANDLE, valve, drain	1	121†	197178	COVER, AutoClean	1
56	196699	PLATE, power bar	1	122	101754	PLUG, pipe	1
58	196191	HOUSING, control	1	123†	102982	O-RING	1
60	116252	SCREW, #8 taptite phil	4				
62	235014	VALVE, drain, includes 30, 50	1				
63	224807	BASE, valve	1				

* Included in Filter Repair Kit 244513
† Not included on 246308 and 246309

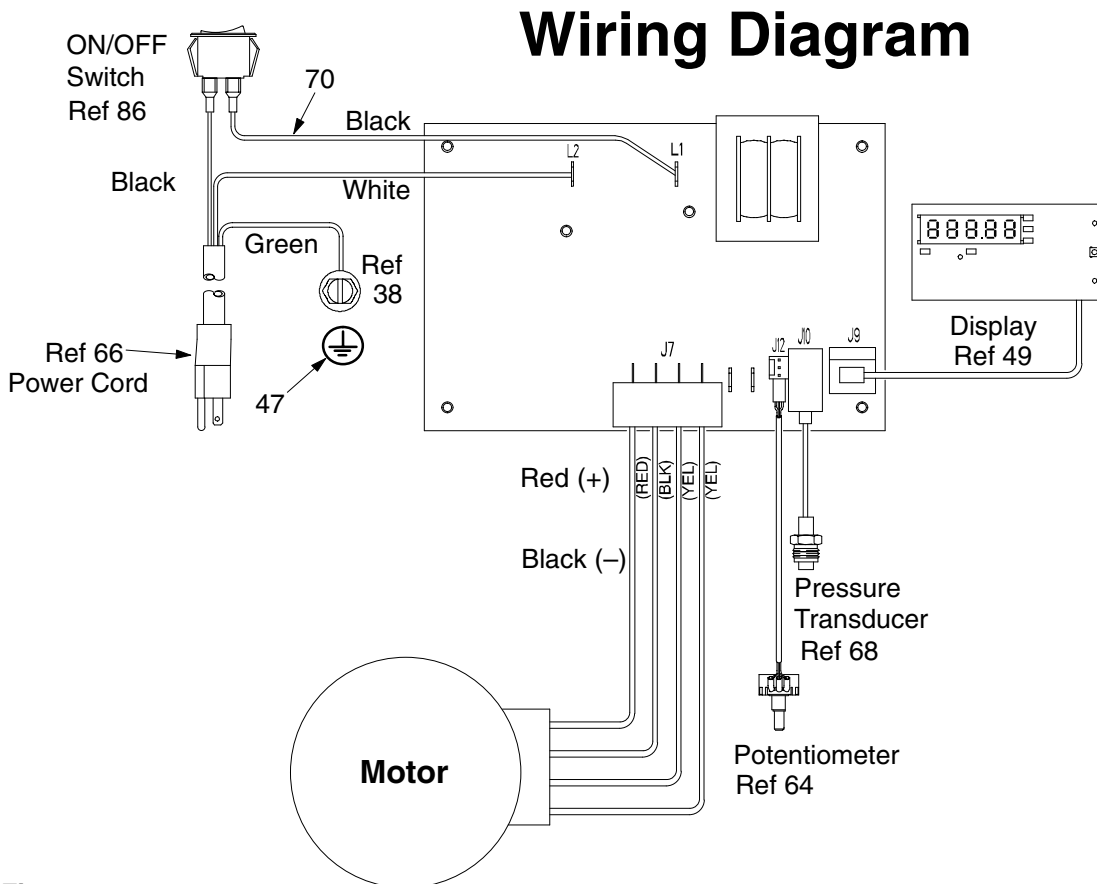


Fig. 1

ti0848A

TO PLACE AN ORDER OR FOR SERVICE, contact your Graco distributor, or call this number to identify the distributor closest to you: **1-800-690-2894 Toll Free**

All written and visual data contained in this document reflect the latest product information available at the time of publication. Graco reserves the right to make changes at any time without notice.

Sales Offices: Minneapolis, Detroit
International Offices: Belgium, Korea, Hong Kong, Japan

GRACO INC. P.O. BOX 1441 MINNEAPOLIS, MN 55440-1441

<http://www.graco.com>

PRINTED IN USA 309252 12/2000, Revised 9/2002