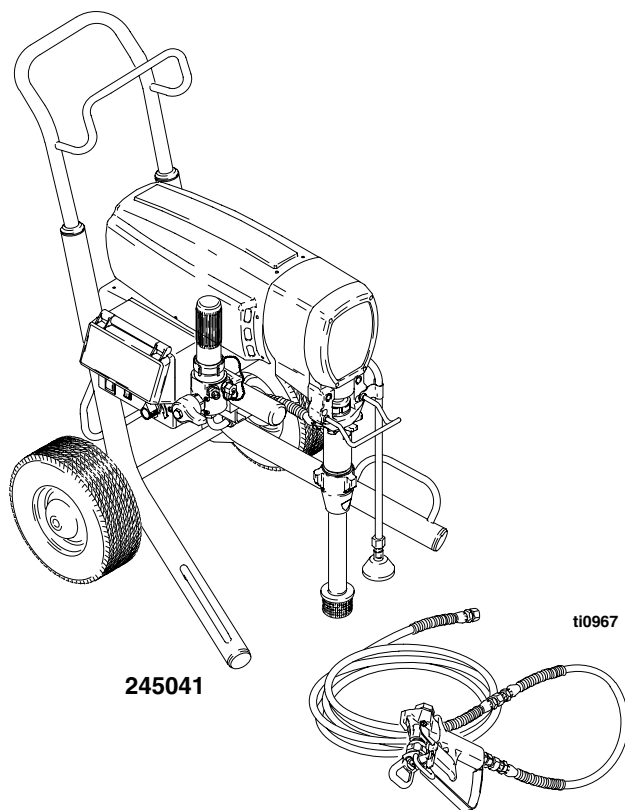


Ultra Max™ 1595 and Mark V Airless Paint Sprayers

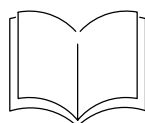
3300 psi (227 bar, 22.7 MPa) Maximum Working Pressure

120 VAC

Type	Series	Model	Spray Gun
Ultra Max 1595™	A	245040	243282
		245041	
		245042	
		245043	
Mark V™	A	245044	241705
		245049	241705



Related manuals



..... 309257

Operation



..... 309639(1595)
..... 308491 (Mark V)

Spray Gun



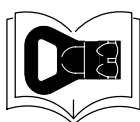
..... 309266

Sprayer Repair



..... 309277

Pump Repair



..... 309640

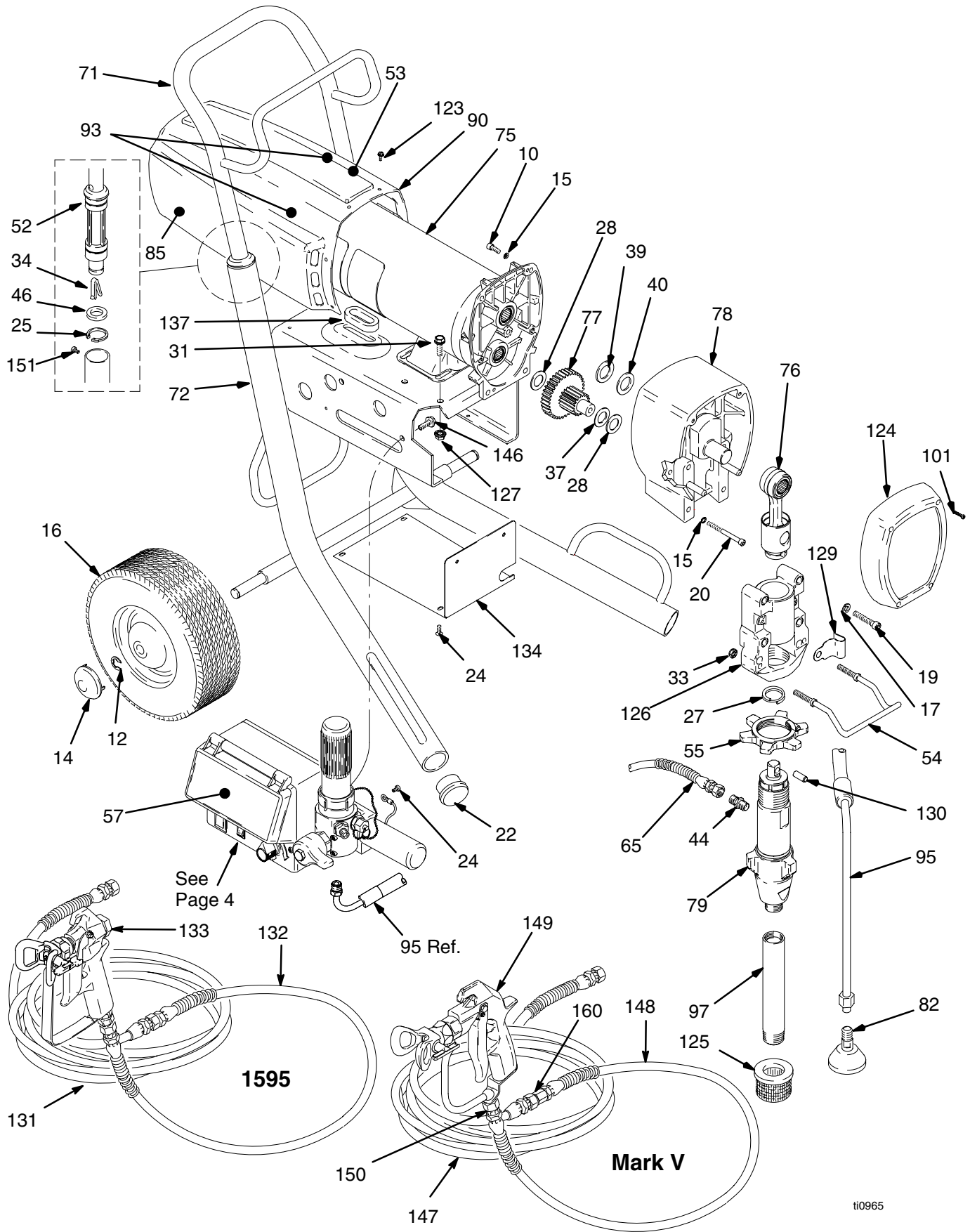
Spray Tip



..... 309278

Parts Drawing – Sprayer

Models 245040 – 245044, 245049



Parts List – Sprayer

Models 245040 – 245044

REF NO.	PART NO.	DESCRIPTION	QTY	REF NO.	PART NO.	DESCRIPTION	QTY
10	101864	SCREW, cap, sch	4	93		LABEL, ident, side, Ultra	
12	101242	RING, retaining, ext.	2		196672	1595	2
14	104811	CAP, hub	2		196721	Mark V	2
15	104008	WASHER, lock, spring (hi-collar)	6	95	243993	HOSE, drain	1
16	106062	WHEEL, semi pneumatic	2	97	193097	TUBE, intake	1
17	106115	WASHER, lock spring (hi-collar)	4			1595 only	
19	114666	SCREW, cap, socket hd	4	101	114818	SCREW, self tap, fil hd	4
20	114686	SCREW, cap, sch	2	123	115492	SCREW, mach, slot, hex wash hd	6
22	193682	PLUG, tubing	2	124		COVER, housing	
24	109032	SCREW, mach, pnh	9		244247	1595	1
25	110243	RING, retaining	2		244252	Mark V	1
27	183169	SPRING, retaining	1	125		STRAINER, inlet	
28	114672	WASHER, thrust	2		181072	1595	1
31	110963	SCREW, cap, hex hd	6		189920	Mark V	1
33	112746	NUT, hex	2	126	241015	HOUSING, bearing	1
34	112827	BUTTON, snap	2	127	110996	NUT, hex, flanged	4
37	114699	WASHER, thrust	1	129	197124	CLIP, spring	1
39	116192	WASHER, thrust	1	130	183210	PIN, str, hdls	1
40	194173	WASHER, thrust	1	131†	240794	HOSE, grounded, nylon, 1/4 in. ID, cpld 1/4 npsm(f), 50 ft (15 m) spring guards both ends (1595)	1
44	162485	NIPPLE	1				
46	183350	WASHER	2				
52	191084	SLEEVE, cart	2	132†	238358	HOSE, grounded, nylon, 3/16 in. ID, cpld 1/4 npsm(f), 3 ft (.9 m), spring guards both ends (1595)	1
53	195805▲	LABEL, DANGER, ST	1				
54	192719	HANGER, pail	1				
55	195893	NUT, retaining	1	133†	246220	SPRAY GUN, contractor (1595)	1
57	196670	LABEL, ctrl box cover, Ultra	1			Manual 309639	
61	206994	FLUID, tsl 8 oz bottle	1	134	196901	COVER, shelf, front	1
65	243814	HOSE, coupled, 3/8 in. x 20 in.	1	137	197201	GASKET, motor cable	1
71	239998	HANDLE, cart	1	146	111801	SCREW, cap, hex hd	2
72	196607	FRAME, cart	1	147	240797	HOSE, grounded, nylon, 3/8 in. ID, cpld 3/8 npsm(f), 50 ft (15 m) spring guards both ends (Mark V)	1
75	243725	MOTOR, electric					
76	241012	ROD, connecting	1				
77	244265	GEAR, combination includes 28 and 37	1	148	241735	HOSE, grounded, nylon, 1/4 in. ID, cpld 1/4 npsm(f), 3 ft (.9 m), spring guards both ends (Mark V)	1
78	244211	HOUSING, drive	1				
79		PUMP, displacement Manual 309277		149	241705	SPRAY GUN, texture (Mark V) Manual 308491	1
	244224	1595	1	150	189018	GUN SWIVEL (Mark V)	1
	244201	Mark V	1	151	108795	SCREW, mach, pan hd	2
82	241920	DEFLECTOR, threaded	1	160	159841	ADAPTER	1
85	195833▲	LABEL, WARNING	1				
90		SHIELD, motor					
	244260	1595	1				
	244262	Mark V	1				

▲Extra Danger and Warning tags and labels available free.

*Motor Brush Repair Kit 220853 is available.

Order separately.

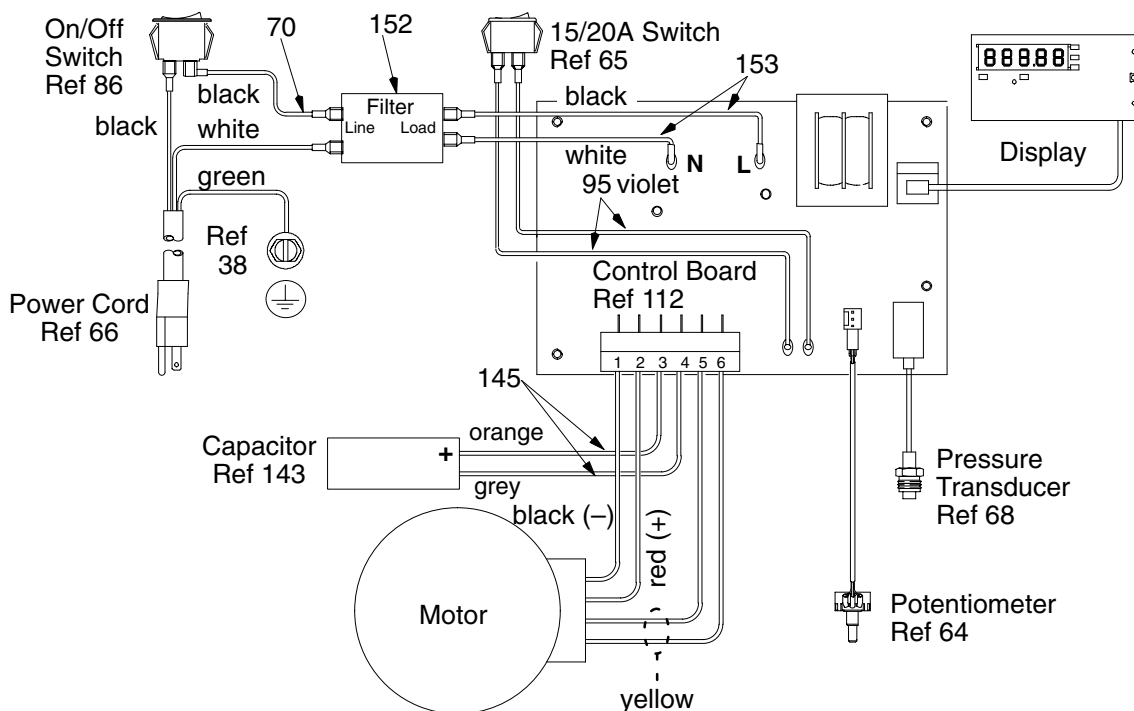
†Not part of Model 245040, 245042

Parts List - Sprayer

Models 245040 – 245044, 245049

REF NO.	PART NO.	DESCRIPTION	QTY	REF NO.	PART NO.	DESCRIPTION	QTY
9*	100020	WASHER, lock	4	67	233129	PANEL, control	1
11	100721	PLUG, pipe	1	68	243222	TRANSDUCER, pressure contl includes 26	1
13*	104361	PACKING, o-ring	1	69	244346	CLAMP, trigger, AutoClean	1
18*	107183	SCREW, cap, socket hd	4	70	198513	CONNECTOR, electrical	1
21*	107505	PACKING, o-ring	1	73*	196675	BOWL, filter	1
23	111801	SCREW, cap,hex hd	2	74*	196676	HOUSING, filter	1
24	109032	SCREW, mach, pnh 1/4 x 10-32 unc	1	80*	244067	FILTER, FLUID, 60-mesh	1
26	111457	PACKING, o-ring	1	84	196668	LABEL, ULTRA, LCD	1
29	194102	HANDLE, valve	1	86	116098	SWITCH, power	1
30	193710	SEAL, seat, valve	1	87	197055	SEAL, washer	1
32	112382	NUT, shaft, sealing	1	89	116171	BUSHING, strain relief	1
36	116167	KNOB, pot	1	95	197027	CONNECTOR, electrical	2
38	114391	SCREW, grounding	1	96	116200	SPACER, shaft	1
41	116417	SCREW, mach,pnh, sems, phillips	5	106	196707	GASKET, control, ULTRA	1
42	196669	LABEL, instruction	1	108	116305	SCREW, mach,pan hd	4
45		ADAPTER		111*	196786	DIFFUSER, tube	1
	164672	1595	2	112	244232	BOARD, control	1
	162485	Mark V	2	120	244253	VALVE, flush includes 87, 144	1
47		PLUG, packless		121	197178	COVER, AutoClean	1
	240131	1595	1	136	196933	BRACKET, capacitor	1
	240987	Mark V	1	138	115524	GASKET	1
49	244228	DISPLAY, digital includes 57, 84, 42	1	139	193709	SEAT, valve	1
50	114797	GASKET	1	140	116397	STAND OFF	1
51	114688	NUT, cap	1	141	188438	WASHER	1
56	196187	PLATE, power bar	1	142	116398	SCREW	1
58	196870	HOUSING, control	1	143	244728	CAPACITOR	1
60	116252	SCREW, #8 taptite phil	4	144	102982	O-RING, PTFE	1
62	245103	VALVE, drain includes 29, 30, 50, 51, 63, 139	1	145	197473	CONNECTOR, 8 ft (Included with motor kit)	1
63	114708	SPRING, compression	1	152	245220	FILTER, compact, single-phase	1
64	236352	POTENTIOMETER, adjust, pressure	1	153	198512	HARNESS, filter	1
65	116099	SWITCH, 15/20A	1				
66		CORD, power					
	198455	Models 245040, 245041, 245044	1				
	198454	Models 245042, 245043, 245049	1				

* Included in Filter Repair Kit 244513



Graco Phone Number

TO PLACE AN ORDER, contact your Graco distributor, or call this number to identify the distributor closest to you:
1-800-690-2894 Toll Free

*All written and visual data contained in this document reflects the latest product information available at the time of publication.
Graco reserves the right to make changes at any time without notice.*

Sales Offices: Minneapolis, Detroit
International Offices: Belgium, Korea, Hong Kong, Japan

www.graco.com

PRINTED IN USA 309267 2/2001, Revised 3/2003