

Symbols

Warning Symbol



This symbol alerts you to the possibility of serious injury or death if you do not follow the instructions.

Caution Symbol



This symbol alerts you to the possibility of damage to or destruction of equipment if you do not follow the instructions.

WARNING



INSTRUCTIONS

EQUIPMENT MISUSE HAZARD

Equipment misuse can cause the equipment to rupture or malfunction and result in serious injury.

- This equipment is for professional use only.
- Read all instruction manuals, tags, and labels before operating the equipment.
- Use the equipment only for its intended purpose. If you are uncertain about usage, call your Graco distributor.
- Do not alter or modify this equipment. Use only genuine Graco parts and accessories.
- Check equipment daily. Repair or replace worn or damaged parts immediately.
- Do not exceed the maximum working pressure of the lowest rated system component. Refer to the **Technical Data** of all equipment manuals for the maximum working pressure of this equipment.
- Use fluids and solvents which are compatible with the equipment wetted parts. Refer to the **Technical Data** section of all equipment manuals. Read the fluid and solvent manufacturer's warnings.
- Do not use hoses to pull equipment.
- Route hoses away from traffic areas, sharp edges, moving parts, and hot surfaces. Do not expose Graco hoses to temperatures above 82°C (180°F) or below -40°C (-40°F).
- Wear hearing protection when operating this equipment.
- Do not lift pressurized equipment.
- Comply with all applicable local, state, and national fire, electrical, and safety regulations.

⚠ WARNING



SKIN INJECTION HAZARD

Spray from the gun, hose leaks, or ruptured components can inject fluid into your body and cause extremely serious injury, including the need for amputation. Fluid splashed in the eyes or on the skin can also cause serious injury.

- Fluid injected into the skin might look like just a cut, but it is a serious injury. **Get immediate surgical treatment.**
- Do not point the gun at anyone or at any part of the body.
- Do not put your hand or fingers over the spray tip.
- Do not stop or deflect leaks with your hand, body, glove or rag.
- Do not “blow back” fluid; this is not an air spray system.
- Always have the tip guard and the trigger guard on the gun when spraying.
- Check the gun diffuser operation weekly. Refer to the gun manual.
- Be sure the gun trigger safety operates before spraying.
- Lock the gun trigger safety when you stop spraying.
- Follow the **Pressure Relief Procedure** on page 5 whenever you: are instructed to relieve pressure; stop spraying; clean, check, or service the equipment; and install or clean the spray tip.
- Tighten all fluid connections before operating the equipment.
- Check the hoses, tubes, and couplings daily. Replace worn, damaged, or loose parts immediately. Permanently coupled hoses cannot be repaired; replace the entire hose.
- Use only Graco approved hoses. Do not remove any spring guard that is used to help protect the hose from rupture caused by kinks or bends near the couplings.



MOVING PARTS HAZARD

Moving parts, such as the air motor piston, can pinch or amputate your fingers.

- Keep clear of all moving parts when starting or operating the pump.
- Before servicing the equipment, follow the **Pressure Relief Procedure** on page 5 to prevent the equipment from starting unexpectedly.

WARNING



FIRE AND EXPLOSION HAZARD

Improper grounding, poor ventilation, open flames or sparks can cause a hazardous condition and result in a fire or explosion and serious injury.



- Ground the equipment and the object being sprayed. Refer to **Grounding** in all equipment manuals.
- To reduce the risk of static arcing which could result in a fire or explosion and serious injury, **use only non-sparking tools**.
- If there is any static sparking or you feel an electric shock while using this equipment, **stop spraying immediately**. Do not use the equipment until you identify and correct the problem.
- Provide fresh air ventilation to avoid the buildup of flammable fumes from solvents or the fluid being sprayed.
- Keep the spray area free of debris, including solvent, rags, and gasoline.
- Electrically disconnect all equipment in the spray area.
- Extinguish all open flames or pilot lights in the spray area.
- Do not smoke in the spray area.
- Do not turn on or off any light switch in the spray area while operating or if fumes are present.
- Do not operate a gasoline engine in the spray area.



TOXIC FLUID HAZARD

Hazardous fluid or toxic fumes can cause serious injury or death if splashed in the eyes or on the skin, inhaled, or swallowed.

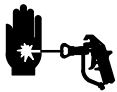
- Know the specific hazards of the fluid you are using.
- Store hazardous fluid in an approved container. Dispose of hazardous fluid according to all local, state and national guidelines.
- Always wear protective eyewear, gloves, clothing and respirator as recommended by the fluid and solvent manufacturer.

CART ASSEMBLY

Pressure Relief Procedure

Before assembling any pump components onto the cart always follow the pressure relief procedure listed here and in the instruction manual(s) shipped with your system.

WARNING



SKIN INJECTION HAZARD

The system pressure must be manually relieved to prevent the system from starting or spraying accidentally. Fluid under high pressure can be injected through the skin and cause serious injury. To reduce the risk of an injury from injection, splashing fluid, or moving parts, follow the **Pressure Relief Procedure** whenever you:

- are instructed to relieve the pressure,
- stop spraying,
- check or service any of the system equipment,
- or install or clean the spray tips.

1. Close the air supply valve.
2. Hold the gun firmly against a grounded metal pail and trigger the gun to relieve pressure.
3. Lock the gun trigger safety.
4. Place the drain tube in a waste pail. Open the drain/purge valve (required in your system).
5. Leave the drain valve open until you are ready to spray again.

If you suspect that the spray tip or hose is completely clogged, or that pressure has not been fully relieved after following the steps above, very slowly loosen the tip guard retaining nut or hose end coupling and relieve pressure gradually, then loosen completely. Now clear the tip or hose.

Cart Assembly

Both the heavy duty cart, Model 244530 and the light weight cart Model 244527 are shipped completely assembled and ready for use. Unpack the cart and check for any shipping damage. Report any damage to the carrier before proceeding.

WARNING

To reduce the risk of the cart tipping and fluid spilling, **ALWAYS** use the handle when moving the cart. **NEVER** use a hose to pull the cart. **DO NOT** modify any part of the cart. Doing so may make the cart unstable

1. Mount the pump as explained in your separate pump instruction manual.

Maintenance

Periodically lubricate the axle between points A and B with lightweight oil. See Fig 1.

Keep the cart clean by wiping up spills daily, using a compatible solvent.

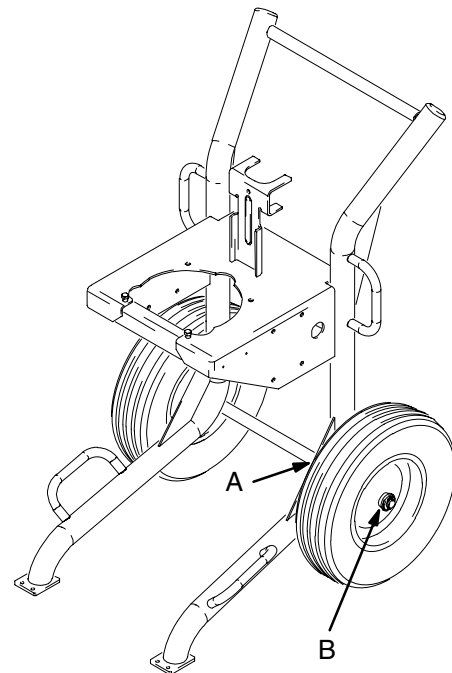
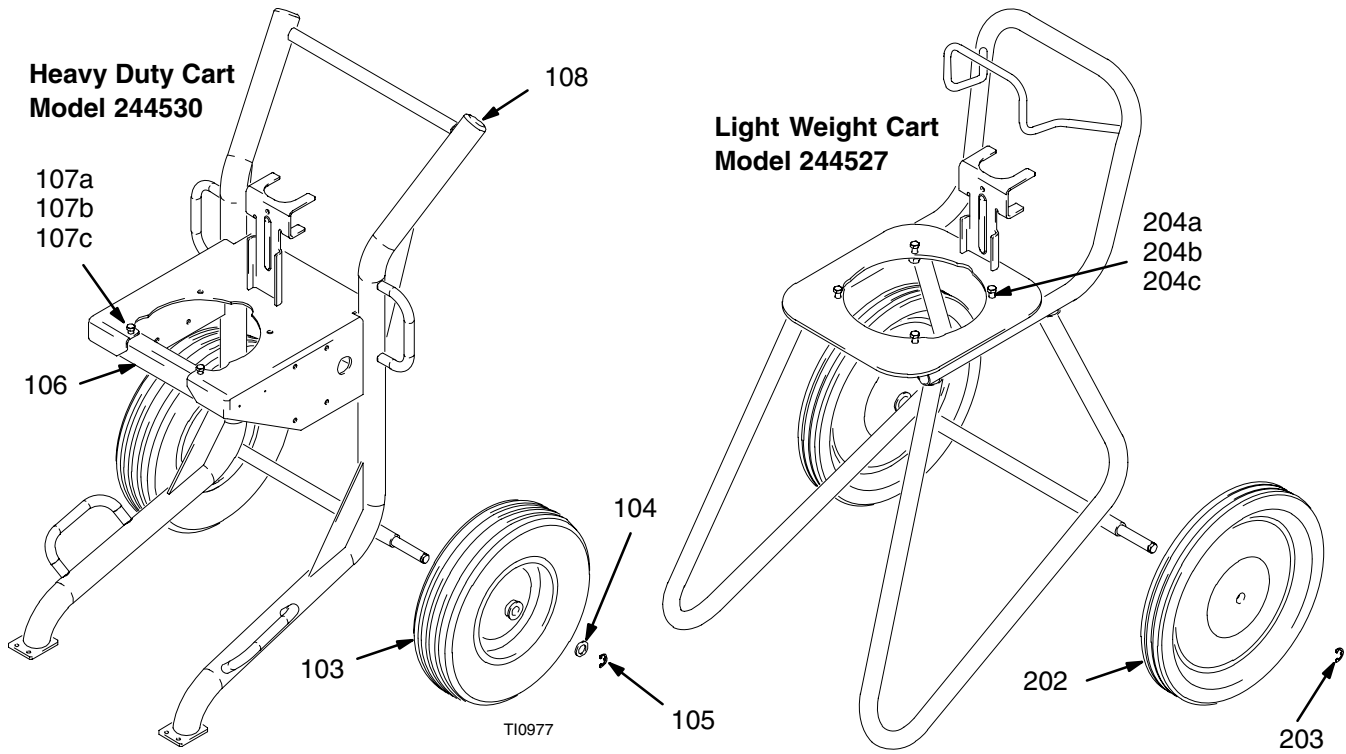


Fig. 1

Parts



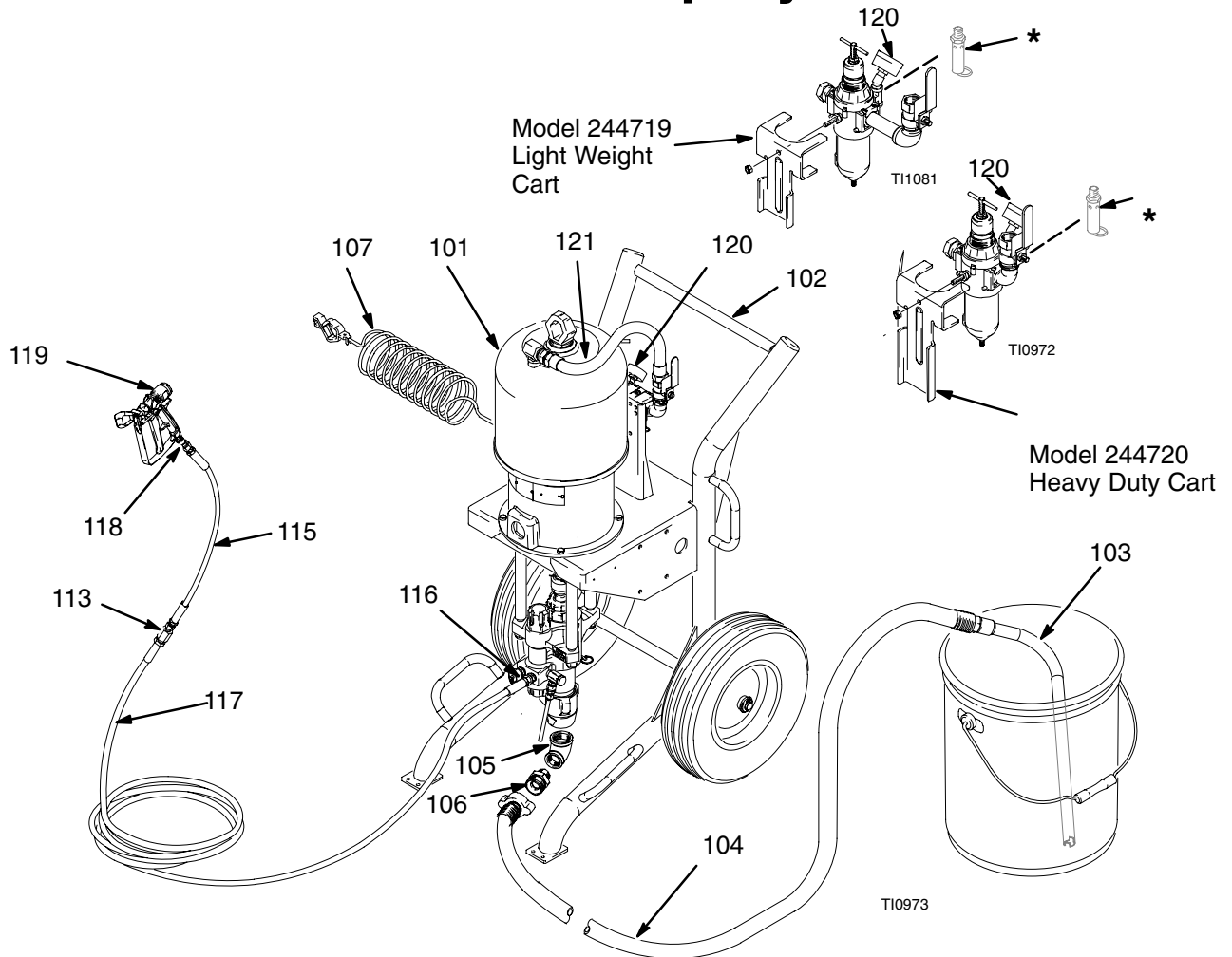
Model 244530

Ref. No.	Part No.	Description	Qty.
103	113362	WHEEL, semi-pneumatic	2
104		WASHER, 3/4 in.	2
105	113436	RING, retaining	2
106	191605	BRACKET, stiffener	1
107a		BOLT, 3/8-16 unc x 1.25 in.	4
107b		WASHER, lock 3/8 in.	4
107c		NUT, 3/8 in.	4
108	113361	TUBE, cap	2

Model 244527

Ref. No.	Part No.	Description	Qty.
202	116406	WHEEL, semi-pneumatic	2
203	113436	RING, retaining	2
204a		BOLT, 3/8-16 unc x 1.25 in.	4
204b		WASHER, lock 3/8 in.	4
204c		NUT, 3/8 in.	4

Airless Xtreme Sprayer Parts



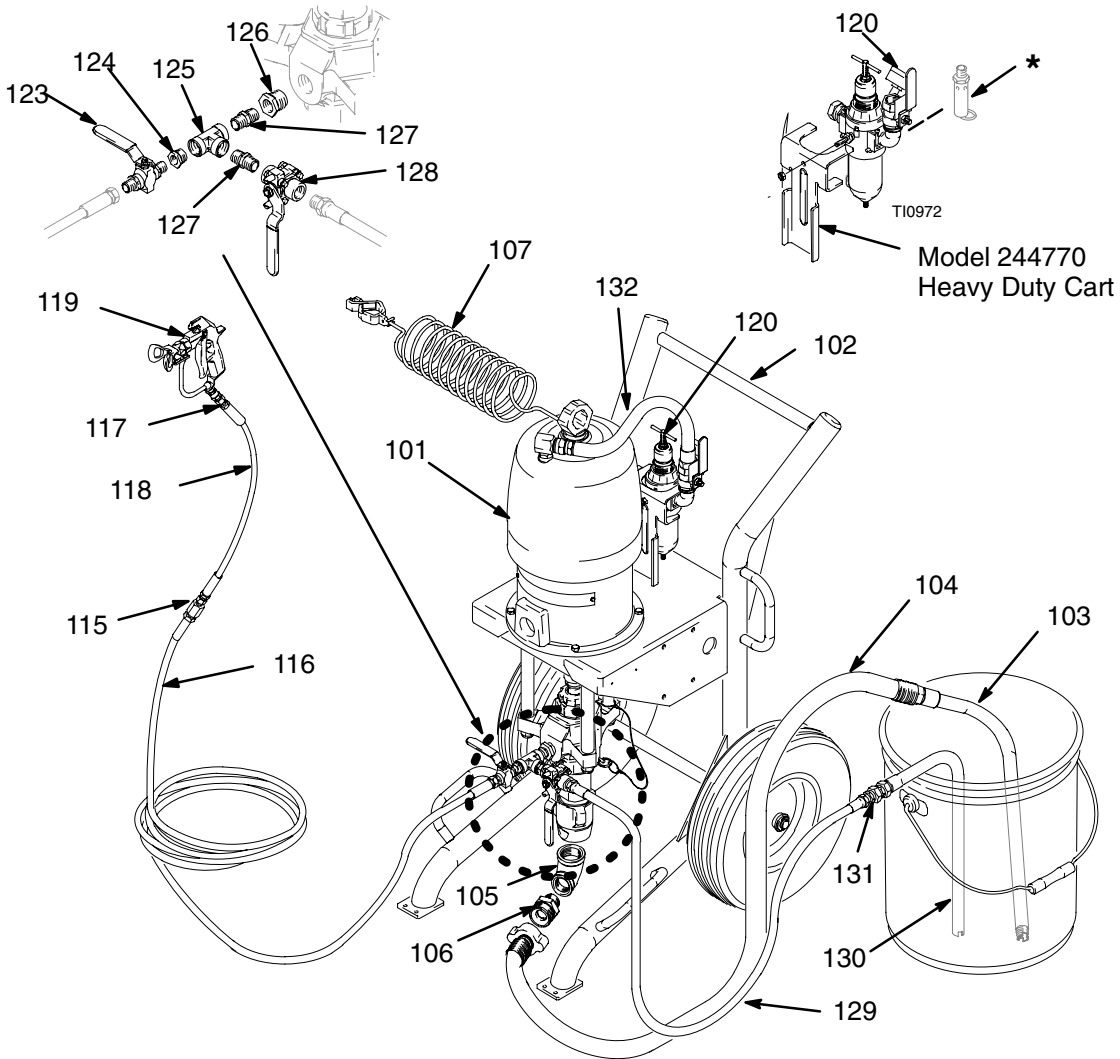
Ref. No.	Part No.	Description	Qty.	Ref. No.	Part No.	Description	Qty.
101		PUMP, displacement see 309340 for parts	1	116	162505	FITTING, union, swivel 1/2 in. F x 3/8 in. M	1
102	244530	CART, assembly heavy duty (shown)	1	117	H53850	HOSE, fluid; nylon; 3/8 in. ID; 3/8 npsm(fbe); 50 ft (for 33:1, 41:1, 45:1, 56:1)	1
103	197682	TUBE, suction	1		H73850	HOSE, fluid; nylon; 3/8 in. ID; 3/8 npsm(fbe); 50 ft (for 68:1, 80:1)	1
104	244516	HOSE, suction	1	118	189018	SWIVEL, (for 56:1 or lower ratios) see Instruction Manual for parts	1
105	116401	ADAPTER, elbow	1	119	238591	GUN, spray (for 33:1, 41:1, 45:1, 56:1)	1
106	116402	Adapter, quick connect	1		XTR704	GUN, spray (for 68:1, 80:1) see Instruction Manual for parts	1
107	244524	WIRE, ground assembly w/clamp	1	120	244719	REGULATOR, air control system	1
113	164856	NIPPLE, reducing; 3/8 x 1/4 npt(m)	1		244720	REGULATOR, air control system, see 309341 for parts	1
115	H72506	HOSE, fluid; nylon; 1/4 in. ID, 1/4 npsm(fbe); 6 ft	1	121	238374	HOSE, coupled	1

▲ Replacement Danger and Warning labels, tags and cards are available at no cost.

***Note:** The Safety Relief Valve for the air control is not included in Air Control Kit Part No. 244719 or 244720. Replace with appropriate Part No. from table below according to pump ratio.

Pump Ratio	Part No.	Description	Pressure Relief
80:1 King	116643	Safety Relief Valve	90 psi
56:1 King	103347	Safety Relief Valve	100 psi
33:1 Bulldog, 41:1 Bulldog, 45:1 King, 68:1 King	113498	Safety Relief Valve	110 psi

Zinc Xtreme Sprayer Parts



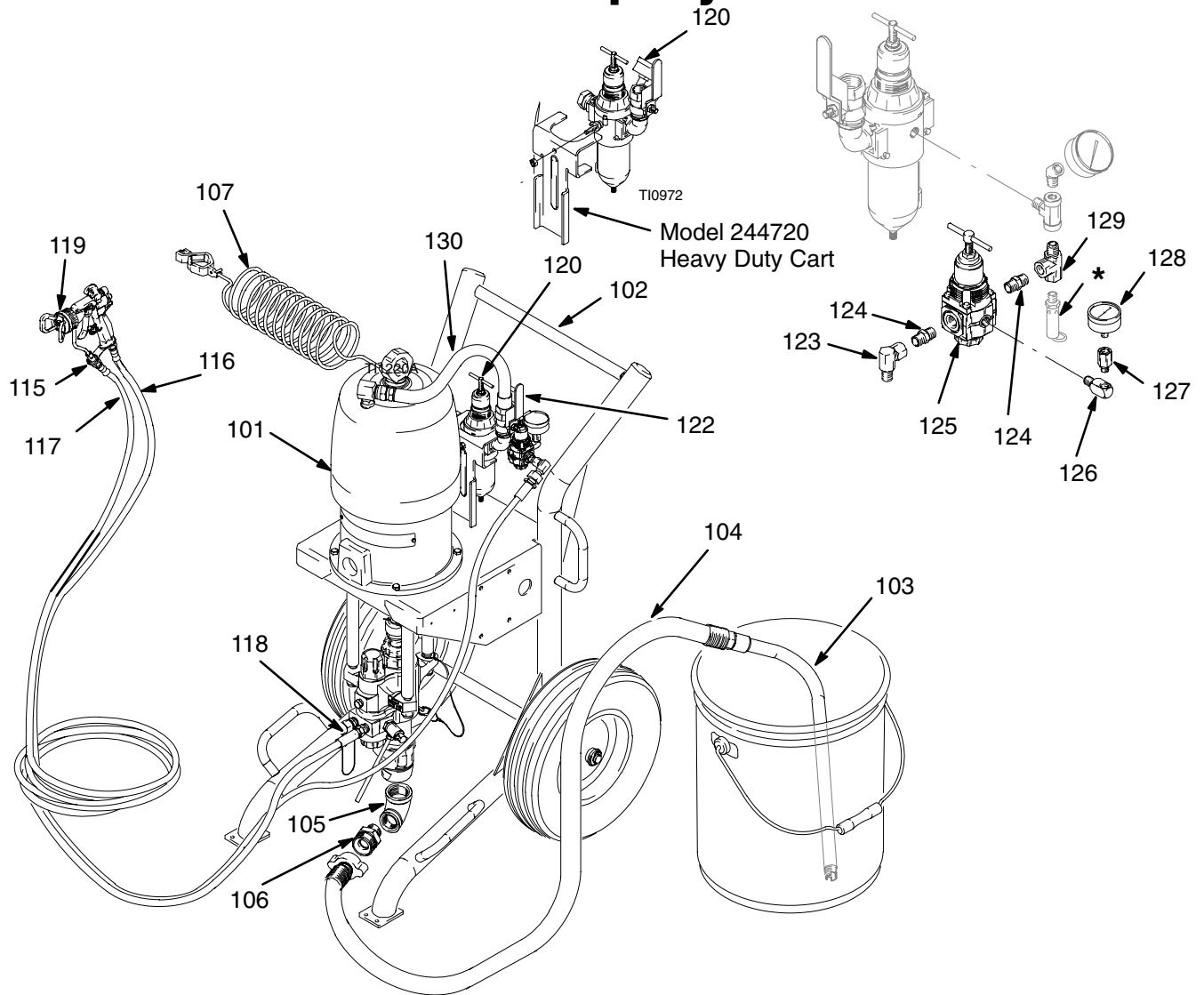
Ref. No.	Part No.	Description	Qty.	Ref. No.	Part No.	Description	Qty.
101		PUMP, displacement see 309362 for parts	1	119	238591	GUN, spray see Instruction Manual for parts	1
102	244530	CART, assembly heavy duty see 309042 for parts	1	120	244719	REGULATOR, air control system	1
103	197682	TUBE, suction	1		244720	REGULATOR, air control system, see 309341 for parts	1
104	244516	HOSE, suction	1	123	238612	VALVE, ball	1
105	116401	ADAPTER, elbow	1	124	100081	BUSHING, pipe	1
106	116402	Adapter, quick connect	1	125	103475	TEE, pipe	1
107	244524	WIRE, ground assembly w/clamp	1	126	100380	BUSHING, pipe	1
115	164856	NIPPLE, reducing; 3/8 x 1/4 npt(m)	1	127	158491	FITTING, nipple	2
116	H53850	HOSE, fluid; nylon; 3/8 in. ID; 3/8 npsm(fbe); 50 ft	1	128	102646	VALVE, ball	1
117	189018	SWIVEL, 5000 psi	1	129	235148	HOSE, coupled, 6 ft.	1
118	H72506	HOSE, fluid; nylon; 1/4 in. ID, 1/4 npsm(fbe); 6 ft	1	130	165767	TUBE, suction	1
				131	100896	FITTING, bushing, pipe	1
				132	238374	HOSE, coupled	1

▲ Replacement Danger and Warning labels, tags and cards are available at no cost.

*Note: the Safety Relief Valve for the air control is not included in Air Control Kit Part No. 244719 or 244720. Replace with appropriate Part No. from table below according to pump ratio.

Pump Ratio	Part No.	Description	Pressure Relief
24:1 Bulldog, 33:1 Bulldog	113498	Safety Relief Valve	110 psi

AA Xtreme Sprayer Parts



Ref. No.	Part No.	Description	Qty.	Ref. No.	Part No.	Description	Qty.
101		PUMP, displacement see 309363 for parts	1	119	249238	GUN, spray see Instruction Manual for parts	1
102	244530	CART, assembly heavy duty see 309042 for parts	1	120	244719 244720	REGULATOR, air control system REGULATOR, air control system, see 309341 for parts	1 1
103	197682	TUBE, suction	1	122	113218	VALVE, ball, vented	1
104	244516	HOSE, suction	1	123	155541	UNION, swivel, 90°	1
105	116401	ADAPTER, elbow	1	124	156971	NIPPLE, short	2
106	116402	Adapter, quick connect	1	125	113549	REGULATOR, air	1
107	244524	WIRE, ground assembly w/clamp	1	126	100139	PLUG, pipe	1
115	189018	SWIVEL, 5800 psi	1	127	159840	ADAPTER	1
116	210868	HOSE, air, coupled	1	128	101689	GAUGE, press, air	1
117	H52550	HOSE, fluid; nylon; 1/4 in. ID; 1/4 npsm(fbe); 50 ft.	1	129	159840	ADAPTER	1
118	159842	ADAPTER, 1/4 in.	1	130	238374	HOSE, coupled	1

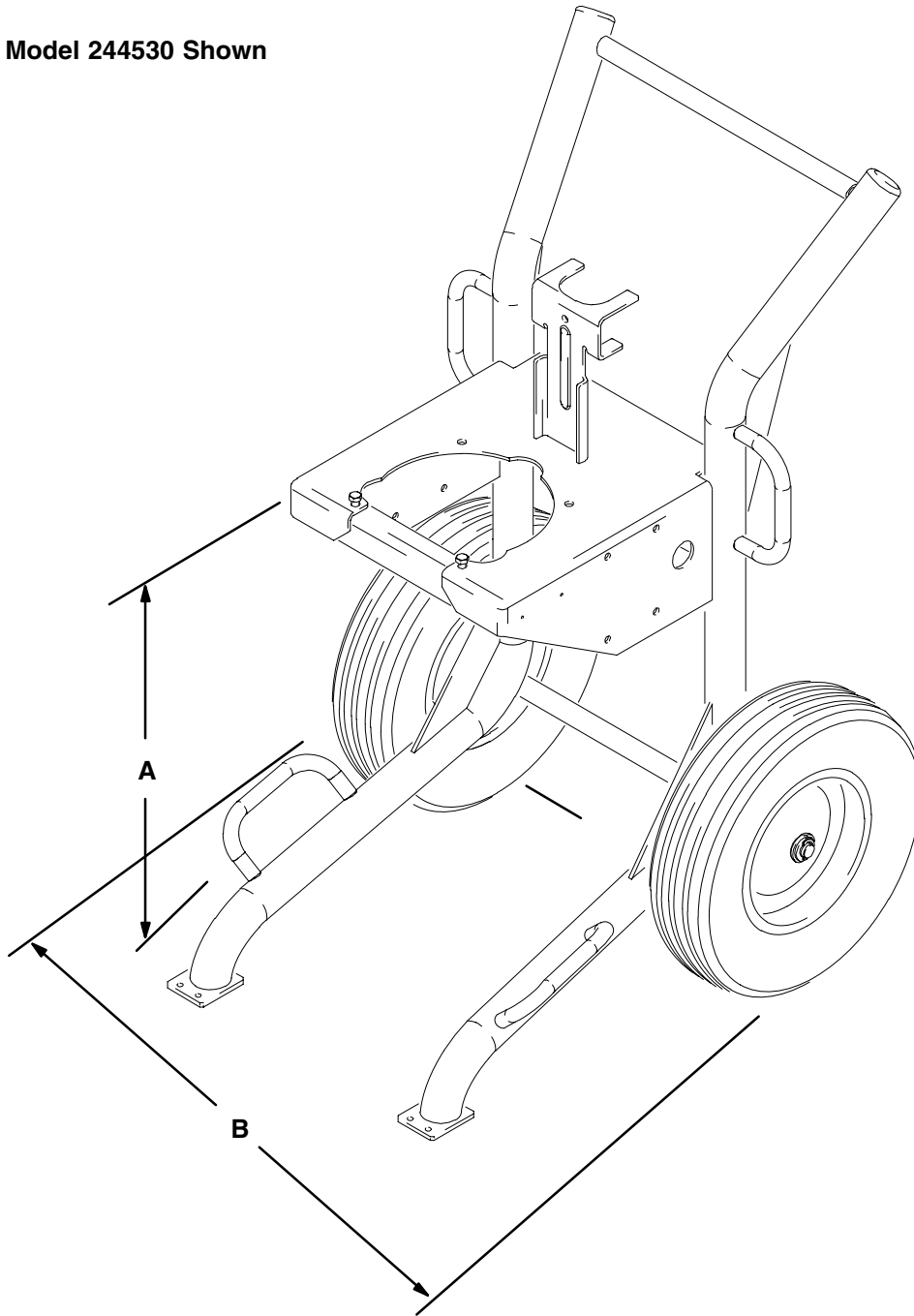
▲ Replacement Danger and Warning labels, tags and cards are available at no cost.

***Note:** The Safety Relief Valve for the air control is not included in Air Control Kit Part No. 244719 or 244720. Replace with appropriate Part No. from table below according to pump ratio.

Pump Ratio	Part No.	Description	Pressure Relief
33:1 Bulldog 41:1 Bulldog	113498	Safety Relief Valve	110 psi

Dimensions

Model 244530 Shown



Cart Model	A (Height of Pump Bracket)	B (Wheelbase)	Weight
244530 Heavy Duty Cart (shown)	714 mm (28.09 in.)	648 mm (25.5 in.)	54.4 kg (120 lb)
244527 Light Weight Cart	687 mm (27.05 in.)	688 mm (27.09 in.)	35.4 kg (78 lb)

Graco Standard Warranty

Graco warrants all equipment manufactured by Graco and bearing its name to be free from defects in material and workmanship on the date of sale to the original purchaser for use. With the exception of any special, extended, or limited warranty published by Graco, Graco will, for a period of twelve months from the date of sale, repair or replace any part of the equipment determined by Graco to be defective. This warranty applies only when the equipment is installed, operated and maintained in accordance with Graco's written recommendations.

This warranty does not cover, and Graco shall not be liable for general wear and tear, or any malfunction, damage or wear caused by faulty installation, misapplication, abrasion, corrosion, inadequate or improper maintenance, negligence, accident, tampering, or substitution of non-Graco component parts. Nor shall Graco be liable for malfunction, damage or wear caused by the incompatibility of Graco equipment with structures, accessories, equipment or materials not supplied by Graco, or the improper design, manufacture, installation, operation or maintenance of structures, accessories, equipment or materials not supplied by Graco.

This warranty is conditioned upon the prepaid return of the equipment claimed to be defective to an authorized Graco distributor for verification of the claimed defect. If the claimed defect is verified, Graco will repair or replace free of charge any defective parts. The equipment will be returned to the original purchaser transportation prepaid. If inspection of the equipment does not disclose any defect in material or workmanship, repairs will be made at a reasonable charge, which charges may include the costs of parts, labor, and transportation.

THIS WARRANTY IS EXCLUSIVE, AND IS IN LIEU OF ANY OTHER WARRANTIES, EXPRESS OR IMPLIED, INCLUDING BUT NOT LIMITED TO WARRANTY OF MERCHANTABILITY OR WARRANTY OF FITNESS FOR A PARTICULAR PURPOSE.

Graco's sole obligation and buyer's sole remedy for any breach of warranty shall be as set forth above. The buyer agrees that no other remedy (including, but not limited to, incidental or consequential damages for lost profits, lost sales, injury to person or property, or any other incidental or consequential loss) shall be available. Any action for breach of warranty must be brought within two (2) years of the date of sale.

Graco makes no warranty, and disclaims all implied warranties of merchantability and fitness for a particular purpose in connection with accessories, equipment, materials or components sold but not manufactured by Graco. These items sold, but not manufactured by Graco (such as electric motors, switches, hose, etc.), are subject to the warranty, if any, of their manufacturer. Graco will provide purchaser with reasonable assistance in making any claim for breach of these warranties.

In no event will Graco be liable for indirect, incidental, special or consequential damages resulting from Graco supplying equipment hereunder, or the furnishing, performance, or use of any products or other goods sold hereto, whether due to a breach of contract, breach of warranty, the negligence of Graco, or otherwise.

FOR GRACO CANADA CUSTOMERS

The parties acknowledge that they have required that the present document, as well as all documents, notices and legal proceedings entered into, given or instituted pursuant hereto or relating directly or indirectly hereto, be drawn up in English. Les parties reconnaissent avoir convenu que la rédaction du présente document sera en Anglais, ainsi que tous documents, avis et procédures judiciaires exécutés, donnés ou intentés à la suite de ou en rapport, directement ou indirectement, avec les procédures concernées.

Graco Information

TO PLACE AN ORDER, contact your Graco distributor, or call this number to identify the distributor closest to you:

1-800-328-0211 Toll Free

612-623-6921 Local

612-378-3505 Fax

*All written and visual data contained in this document reflects the latest product information available at the time of publication.
Graco reserves the right to make changes at any time without notice.*

This manual contains English. MM 309342

Graco Headquarters: Minneapolis

International Offices: Belgium, China, Japan, Korea

GRACO INC. P.O. BOX 1441 MINNEAPOLIS, MN 55440-1441

www.graco.com

06/2001 Revised 01/2008