

Stand Mount Bulk Grease Transfer Packages

309344C

EN

For dispensing non-corrosive and non-abrasive oils and lubricants only. For professional use only.

Not approved for use in explosive atmospheres or hazardous (classified) locations.

Model No. 244651, 3:1 Bulldog[®] Pump

120 psi (0.8 MPa, 8.3 bar) Maximum Air Input Pressure.
360 psi (2.5 MPa, 25 bar) Maximum Fluid Working Pressure.

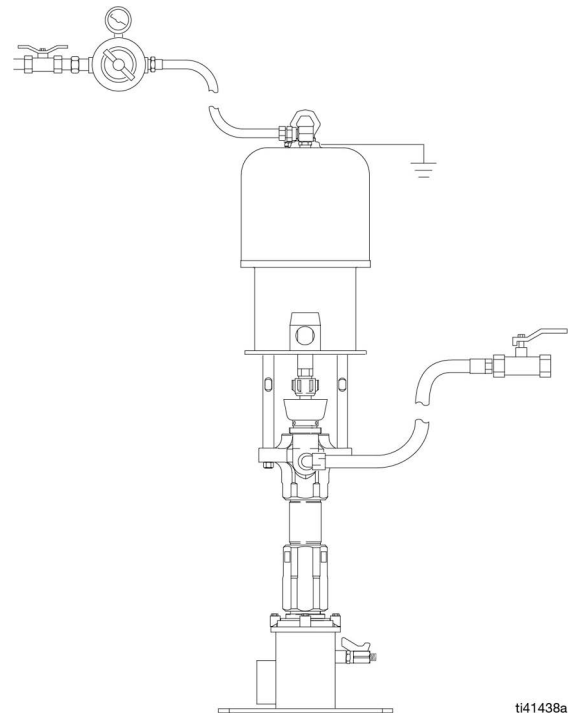
Model No. 244656, Viscount[®] II Pump

1500 psi (10 MPa, 103 bar) Maximum Hydraulic Input Pressure.
2300 psi (15.9 MPa, 159 bar) Maximum Fluid Working Pressure.



Important Safety Instructions

For complete warnings refer to the Operating and/or Repair manual for Bulldog Air Motor, 3:1 Ratio Bulldog Transfer Pump, or Viscount II Hydraulic Motor.

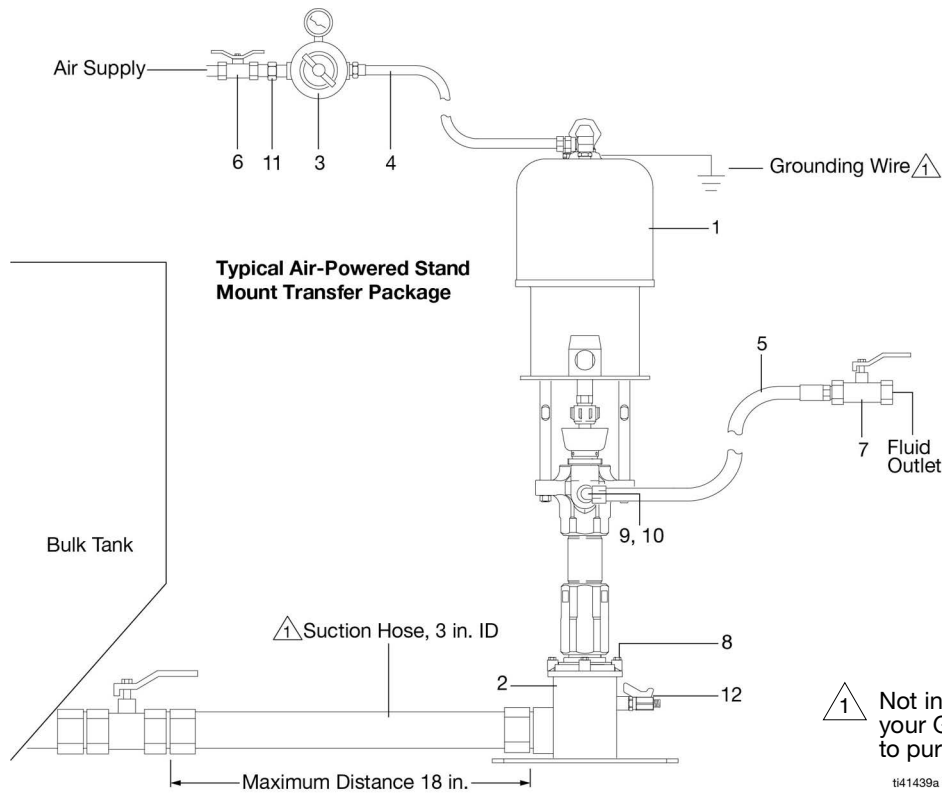


ti41438a

Related Manuals

Manual in English	Description
307049	Bulldog Air Motor
306642	3:1 Ratio Bulldog Transfer Pump
307158	Viscount II Hydraulic Motor

Parts



Part Number/Assembly Name

Ref.	Part	Description	Qty.
1	205148	PUMP, 3:1 Bulldog (Model 244651) See Related Manuals , page 1.	1
	222902	PUMP, Viscount II (Model 244656) See Related Manuals , page 1.	1
2	223952	STAND, floor See Related Manuals , page 1.	1
3	244845	REGULATOR, air, 3/4 npt(fbe) (Includes gauge) See Related Manuals , page 1.	1
4	208610	HOSE, air, 3/4 in. ID, 3/4 npt(mbe) x 6 ft.	1
5	247969	HOSE, fluid, 2 in. ID, 2 npt(mbe) x 6 ft. (Model 244651)	1
	115042	HOSE, fluid, 1 in. ID, 1 npt(mbe) x 6 ft. (Model 244656)	1
6	110226	VALVE, air shutoff, 3/4 npt(fbe)	1
7	512213	VALVE, fluid shutoff, 2 npt(fbe) (Model 244651)	1
	116471	VALVE, fluid shutoff, 1 npt(fbe) (Model 244656)	1

Ref.	Part	Description	Qty.
8	222776	KIT, mounting (Model 244656) See form 405952	1
	224148	KIT, mounting (Model 244651)	1
9	116650	COUPLING, 1-1/2 npt(f) x 1 npt(f) (Model 244656)	1
10	116648	ADAPTER, swivel, straight, 1 npt(m) x 1 npsm(f), (Model 244656)	1
	116470	ADAPTER, swivel, straight, 2 npt(m) x 2 npsm(f) (Model 244651)	1
11	175013	NIPPLE, 3/4 npt(mbe)	1
12	208390	VALVE, ball, 1/4 npt(mbe) (Models 244651 and 244656)	1
13	236865	MANIFOLD, hydraulic fluid control (Model 244656)	1
14	116745	ADAPTER, swivel, straight, 1 npt(m) x 1-1/4 npsm(f) (Model 244656)	1

Recycling and Disposal

End of Product Life

At the end of the product's useful life, dismantle and recycle it in a responsible manner.

- Perform the Pressure Relief Procedure in your pump manual.
- Drain and dispose of fluids according to applicable regulations. Refer to the material manufacturer's Safety Data Sheet.
- Deliver remaining product to a recycling facility.

Technical Specifications

The system maximum air and fluid pressure ratings are on the cover. See the separate Technical Data/Technical Specifications section in the pump and motor instructions manuals that came with your pump/motor.

Wetted parts	
Pump	See separate pump instruction manuals
Output fitting, hose, valve	Steel, brass, rubber

California Proposition 65

CALIFORNIA RESIDENTS

 **WARNING:** Cancer and reproductive harm – www.P65warnings.ca.gov.

Graco Standard Warranty

Graco warrants all equipment referenced in this document which is manufactured by Graco and bearing its name to be free from defects in material and workmanship on the date of sale to the original purchaser for use. With the exception of any special, extended, or limited warranty published by Graco, Graco will, for a period of twelve months from the date of sale, repair or replace any part of the equipment determined by Graco to be defective. This warranty applies only when the equipment is installed, operated and maintained in accordance with Graco's written recommendations.

This warranty does not cover, and Graco shall not be liable for general wear and tear, or any malfunction, damage or wear caused by faulty installation, misapplication, abrasion, corrosion, inadequate or improper maintenance, negligence, accident, tampering, or substitution of non-Graco component parts. Nor shall Graco be liable for malfunction, damage or wear caused by the incompatibility of Graco equipment with structures, accessories, equipment or materials not supplied by Graco, or the improper design, manufacture, installation, operation or maintenance of structures, accessories, equipment or materials not supplied by Graco.

This warranty is conditioned upon the prepaid return of the equipment claimed to be defective to an authorized Graco distributor for verification of the claimed defect. If the claimed defect is verified, Graco will repair or replace free of charge any defective parts. The equipment will be returned to the original purchaser transportation prepaid. If inspection of the equipment does not disclose any defect in material or workmanship, repairs will be made at a reasonable charge, which charges may include the costs of parts, labor, and transportation.

THIS WARRANTY IS EXCLUSIVE, AND IS IN LIEU OF ANY OTHER WARRANTIES, EXPRESS OR IMPLIED, INCLUDING BUT NOT LIMITED TO WARRANTY OF MERCHANTABILITY OR WARRANTY OF FITNESS FOR A PARTICULAR PURPOSE.

Graco's sole obligation and buyer's sole remedy for any breach of warranty shall be as set forth above. The buyer agrees that no other remedy (including, but not limited to, incidental or consequential damages for lost profits, lost sales, injury to person or property, or any other incidental or consequential loss) shall be available. Any action for breach of warranty must be brought within two (2) years of the date of sale.

GRACO MAKES NO WARRANTY, AND DISCLAIMS ALL IMPLIED WARRANTIES OF MERCHANTABILITY AND FITNESS FOR A PARTICULAR PURPOSE, IN CONNECTION WITH ACCESSORIES, EQUIPMENT, MATERIALS OR COMPONENTS SOLD BUT NOT MANUFACTURED BY GRACO. These items sold, but not manufactured by Graco (such as electric motors, switches, hose, etc.), are subject to the warranty, if any, of their manufacturer. Graco will provide purchaser with reasonable assistance in making any claim for breach of these warranties.

In no event will Graco be liable for indirect, incidental, special or consequential damages resulting from Graco supplying equipment hereunder, or the furnishing, performance, or use of any products or other goods sold hereto, whether due to a breach of contract, breach of warranty, the negligence of Graco, or otherwise.

FOR GRACO CANADA CUSTOMERS

The Parties acknowledge that they have required that the present document, as well as all documents, notices and legal proceedings entered into, given or instituted pursuant hereto or relating directly or indirectly hereto, be drawn up in English. Les parties reconnaissent avoir convenu que la rédaction du présente document sera en Anglais, ainsi que tous documents, avis et procédures judiciaires exécutés, donnés ou intentés, à la suite de ou en rapport, directement ou indirectement, avec les procédures concernées.

Graco Information

For the latest information about Graco products, visit www.graco.com.

For patent information, see www.graco.com/patents.

TO PLACE AN ORDER, contact your Graco distributor or call to identify the nearest distributor.

Phone: 612-623-6928 **or Toll Free:** 1-800-533-9655, **Fax:** 612-378-3590

*All written and visual data contained in this document reflects the latest product information available at the time of publication.
Graco reserves the right to make changes at any time without notice.*

Original instructions. This manual contains English. MM 309344

Graco Headquarters: Minneapolis

International Offices: Belgium, China, Japan, Korea

GRACO INC. AND SUBSIDIARIES • P.O. BOX 1441 • MINNEAPOLIS MN 55440-1441 • USA
Copyright 2001, Graco Inc. All Graco manufacturing locations are registered to ISO 9001.

www.graco.com
Revision C, June 2022