

# PARTS



# 309385

Rev. C

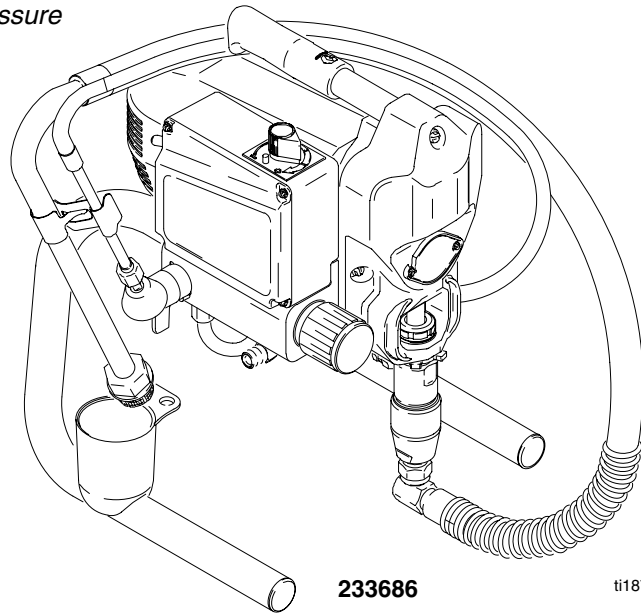
## 295ST™

Model 233686, A, B, C (Stand)

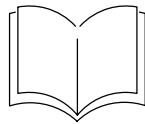
Model 233823, A, B (Hi-boy)

## Airless Paint Sprayers

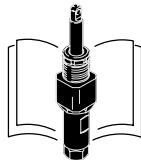
3000 psi (207 bar, 20.7 MPa) Maximum Working Pressure



Related manuals



..... 309387



..... 309053



..... 309054



..... 309055



..... 309386

GRACO INC. P.O. BOX 1441 MINNEAPOLIS, MN 55440-1441

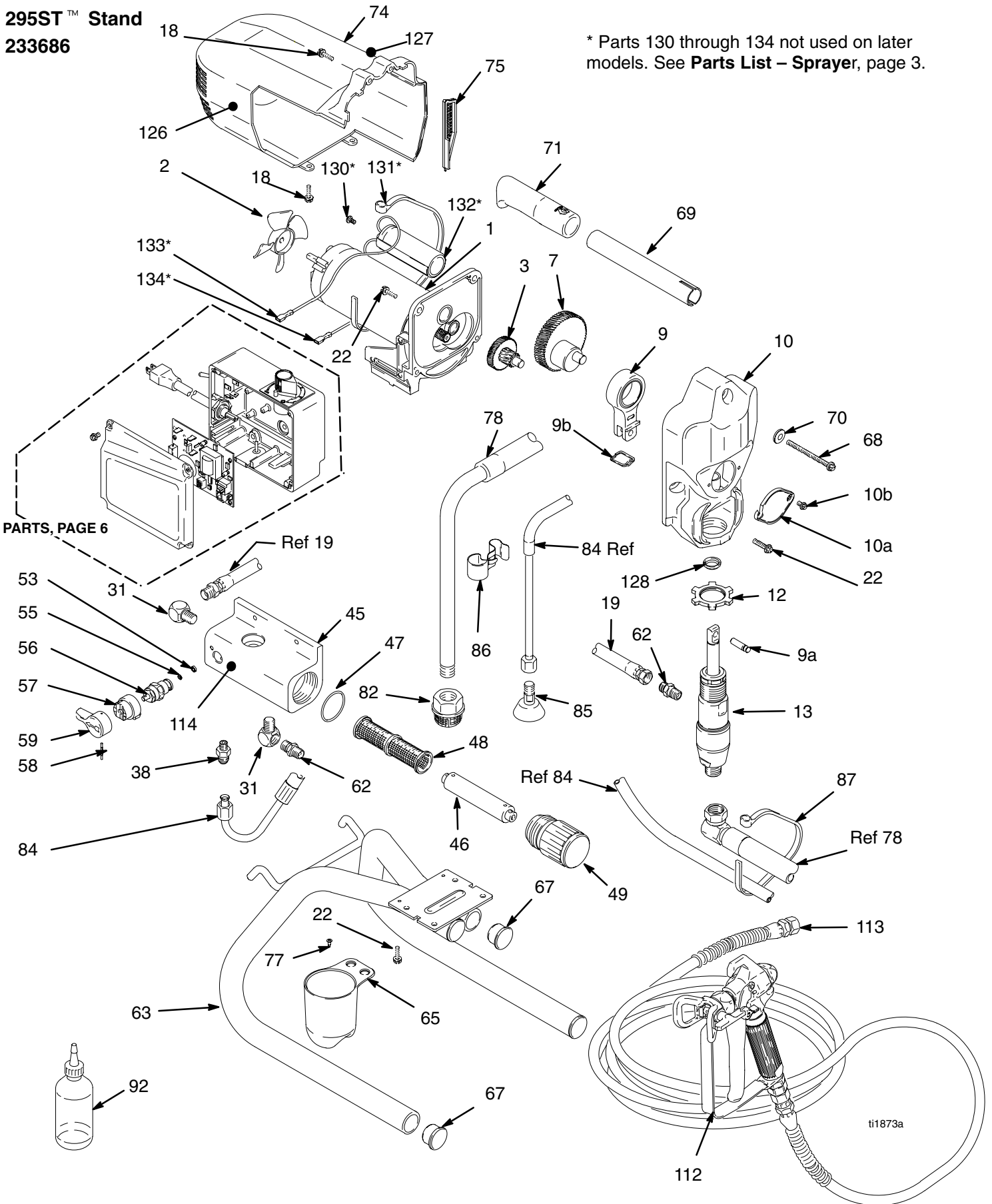
©COPYRIGHT 2001, GRACO INC.

Graco Inc. is registered to I.S. EN ISO 9001

# \*Parts Drawing – Sprayer

295ST™ Stand  
233686

\* Parts 130 through 134 not used on later models. See **Parts List – Sprayer**, page 3.



# Parts List – Sprayer

## 295ST™ Stand 233686

| REF NO. | PART NO. | DESCRIPTION                     | QTY | REF NO. | PART NO. | DESCRIPTION                           | QTY |
|---------|----------|---------------------------------|-----|---------|----------|---------------------------------------|-----|
| 1       |          | <b>MOTOR, 120 Vac</b>           |     | 65      | 195177   | HOLDER, suction tube                  | 1   |
|         | 242009†  | <b>233686, A, B</b>             | 1   | 67      | 107310   | PLUG, tubing                          | 4   |
|         | 245893‡  | <b>233686, C</b>                | 1   | 68      | 115506   | SCREW, slot hd, hex, washer hd        | 1   |
| 2       | 115525   | BLADE, fan motor                | 1   | 69      | 195425   | HANDLE, sprayer                       | 1   |
| 3       | 243219   | <b>GEAR, combination</b>        | 1   | 70      | 100016   | WASHER, lock                          | 1   |
| 7       | 243218   | <b>CRANK SHAFT</b>              | 1   | 71      | 116139   | GRIP, handle                          | 1   |
| 9       | 243221   | <b>CONNECTING ROD</b>           | 1   | 74      | 243217   | SHROUD, motor                         | 1   |
|         |          | includes 9a and 9b              |     |         |          | includes 18, 126, 127                 |     |
| 9a      | 195175   | PIN, pump                       | 1   | 75      | 195503   | VENT, side                            | 1   |
| 9b      | 195512   | RETAINER, pin                   | 1   | 77      | 115509   | SCREW, mach, pnhd, self-drill         | 1   |
| 10      | 243220   | <b>DRIVE HOUSING</b>            | 1   | 78      | 244353   | HOSE, suction, flexible               | 1   |
|         |          | includes 10a and 10b            |     | 82      | 235004   | STRAINER                              | 1   |
| 10a     | 195099   | COVER                           | 1   | 84      | 244040   | HOSE, drain, includes 85, 86          | 1   |
| 10b     | 115492   | SCREW                           | 2   | 85      | 241920   | DEFLECTOR, threaded                   | 1   |
| 12      | 195150   | NUT, jam, pump                  | 1   | 86      | 195186   | CLIP, spring                          | 1   |
| 13      | 243183   | <b>PUMP</b>                     | 1   | 87      | 114958   | STRAP, tie                            | 1   |
|         |          | Manual 309053                   |     | 92      | 206994   | FLUID, TSL, 8 oz                      | 1   |
| 18      | 115492   | SCREW, mach slot hex, washer hd | 4   | 112     | 243285   | GUN, Contractor FTx (515 RAC 5 tip)   | 1   |
| 19      | 241926   | HOSE, coupled, high pressure    | 1   |         |          | Manual 309054                         |     |
| 22      | 115495   | SCREW, slot hd, hex, washer hd  | 8   | 113     | 240794   | HOSE, coupled, 1/4 in. x 50 ft (15 m) | 1   |
| 31      | 195847   | ADAPTER, pipe, hex              | 2   | 114     | 195811   | LABEL, instruction                    | 1   |
| 38      | 116150   | FITTING, adapter                | 1   | 126     | 195833▲  | LABEL, WARNING                        | 1   |
| 45      | 195157   | HOUSING, filter                 | 1   | 127     | 195838▲  | LABEL, DANGER                         | 1   |
| 46      | 196773   | INSERT, filter                  | 1   | 128     | 115491   | WIPER, rod                            | 1   |
| 47      | 104361   | O-RING                          | 1   | 130     | 115762*  | SCREW                                 | 2   |
| 48      | 243080   | FILTER, fluid, 60 mesh          | 1   | 131     | 103546*  | WRAP, tie                             | 1   |
| 49      | 195139   | CAP, filter                     | 1   | 132     | 243415*  | CAPACITOR                             | 1   |
| 53      | 111699   | GASKET, seat, valve             | 1   | 133     | 195936*  | WIRE, jumper, red                     | 1   |
| 55      | 187615   | VALVE, seat                     | 1   | 134     | 195937*  | WIRE, jumper, black                   | 1   |
| 56      | 235014   | ASSY, drain valve               | 1   |         |          |                                       |     |
|         |          | includes 53 and 55              |     |         |          |                                       |     |
| 57      | 224807   | ASSY, cam, drain valve          | 1   |         |          |                                       |     |
| 58      | 111600   | PIN, grooved                    | 1   |         |          |                                       |     |
| 59      | 187625   | HANDLE, valve, drain            | 1   |         |          |                                       |     |
| 62      | 162453   | NIPPLE, 1/4 npt(m) x 1/4 npsm   | 2   |         |          |                                       |     |
| 63      | 245221   | FRAME, stand mount              | 1   |         |          |                                       |     |

▲Extra Danger and Warning tags and labels available free.

† Motor Brush Kit 243215 is available

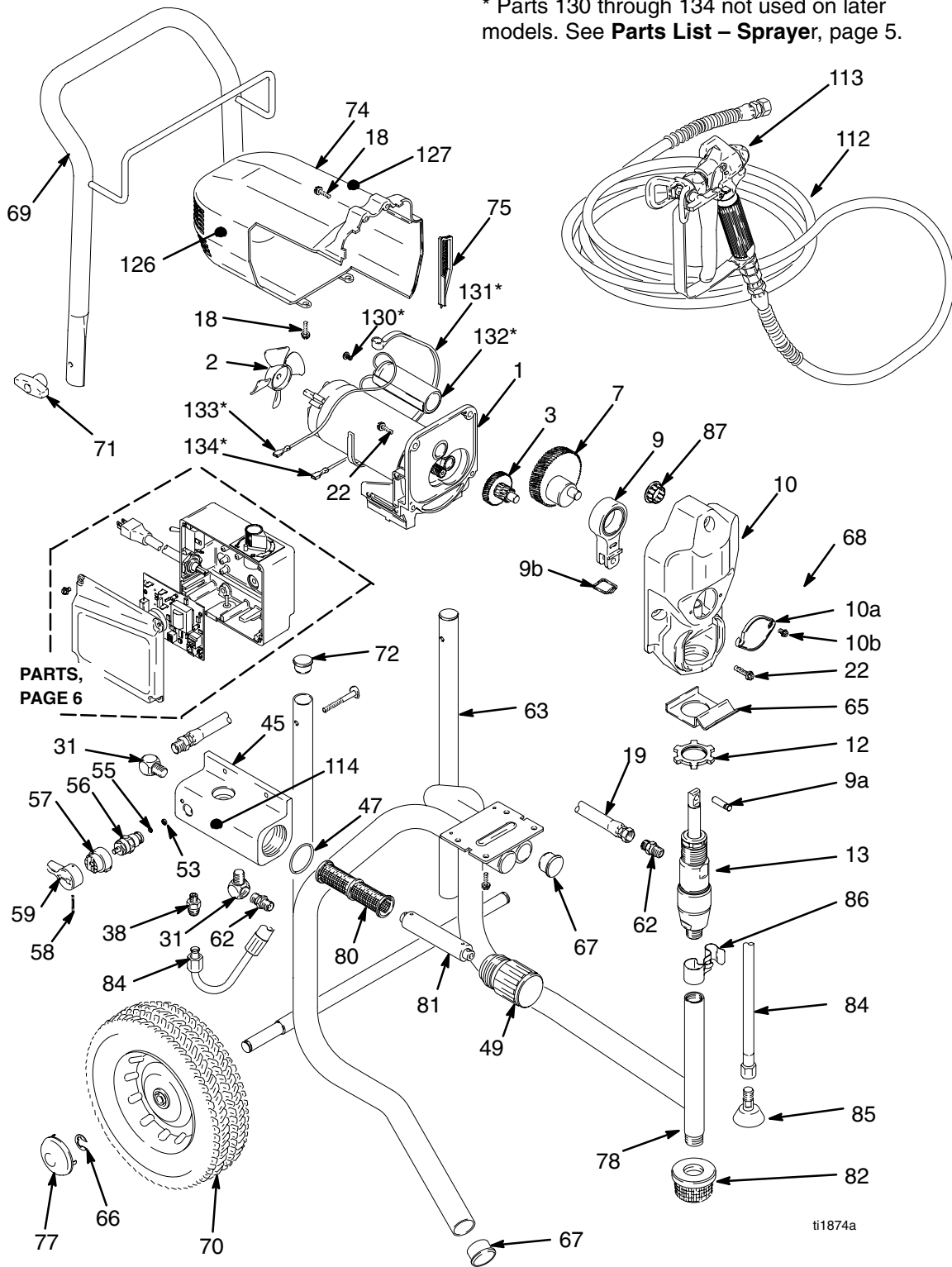
‡ Motor Brush Kit 245894 is available

\* Used on 233686, A, B only

# Parts Drawing – Sprayer

295ST™ Hi-boy  
233823

\* Parts 130 through 134 not used on later models. See **Parts List – Sprayer**, page 5.



ti1874a

# Parts List – Sprayer

## 295ST™ Hi-boy 233823

| REF NO. | PART NO. | DESCRIPTION                     | QTY | REF NO. | PART NO. | DESCRIPTION                         | QTY |
|---------|----------|---------------------------------|-----|---------|----------|-------------------------------------|-----|
| 1       |          | <b>MOTOR, 120 Vac</b>           | 1   | 67      | 107310   | PLUG, tubing                        | 4   |
|         | 242009†  | <b>233823, A</b>                | 1   | 68      | 115097   | SCREW, curved head                  | 2   |
|         | 245893‡  | <b>233823, B</b>                | 1   | 69      | 241938   | HANDLE, cart                        | 1   |
| 2       | 115525   | BLADE, fan motor                | 1   | 70      | 106062   | WHEEL, semi-pneumatic               | 2   |
| 3       | 243219   | <b>GEAR, combination</b>        | 1   | 71      | 115480   | KNOB, t-handle                      | 2   |
| 7       | 243218   | <b>CRANK SHAFT</b>              | 1   | 72      | 105521   | PLUG, tubing                        | 4   |
| 9       | 243221   | <b>CONNECTING ROD</b>           | 1   | 74      | 243217   | SHROUD, motor,kit                   | 1   |
|         |          | includes 9a and 9b              |     |         |          | includes 18, 75, 126, 127           |     |
| 9a      | 195175   | PIN, pump                       | 1   | 75      | 195503   | VENT, side                          | 1   |
| 9b      | 195512   | RETAINER, pin                   | 1   | 77      | 104811   | CAP, hub                            | 2   |
| 10      | 243220   | <b>DRIVE HOUSING</b>            | 1   | 78      | 198973   | TUBE, suction                       | 1   |
|         |          | includes 10a and 10b            |     | 80      | 243080   | FILTER, fluid                       | 1   |
| 10a     | 195099   | COVER                           | 1   | 81      | 196773   | FILTER, insert                      | 1   |
| 10b     | 115492   | SCREW                           | 2   | 82      | 183770   | STRAINER, kit                       | 1   |
| 12      | 195150   | NUT, jam, pump                  | 1   | 84      | 244042   | HOSE, drain,                        | 1   |
| 13      | 243183   | <b>PUMP</b>                     | 1   | 85      | 241920   | DEFLECTOR, threaded                 | 1   |
|         |          | Manual 309060                   |     | 86      | 195696   | CLIP, spring                        | 1   |
| 18      | 115492   | SCREW, mach slot hex, washer hd | 4   | 87      | 115979   | PLUG                                | 1   |
| 19      | 241926   | HOSE, coupled, high pressure    | 1   | 112     | 243285   | GUN, Contractor FTx (515 RAC 5 Tip) | 1   |
| 22      | 115495   | SCREW, slot hd, hex, washer hd  | 8   |         |          | Manual 309054                       |     |
| 31      | 195847   | ADAPTER, pipe, hex              | 2   | 113     | 240794   | HOSE, 1/4 in. x 50 ft (15 m)        | 1   |
| 38      | 116150   | FITTING, adapter                | 1   | 114     | 195811   | LABEL, instruction                  | 1   |
| 45      | 195157   | HOUSING, filter                 | 1   | 126     | 195833▲  | LABEL, WARNING                      | 1   |
| 47      | 104361   | O-RING                          | 1   | 127     | 195838▲  | LABEL, DANGER                       | 1   |
| 49      | 195139   | CAP, filter                     | 1   | 130     | 115762*  | SCREW                               | 2   |
| 53      | 111699   | GASKET, seat, valve             | 1   | 131     | 103546*  | WRAP, tie                           | 1   |
| 55      | 187615   | VALVE, seat                     | 1   | 132     | 243415*  | CAPACITOR                           | 1   |
| 56      | 235014   | ASSY, drain valve               | 1   | 133     | 195936*  | WIRE, jumper, red                   | 1   |
|         |          | includes 53 and 55              |     | 134     | 195937*  | WIRE, jumper, black                 | 1   |
| 57      | 224807   | ASSY, cam, drain valve          | 1   |         |          |                                     |     |
| 58      | 111600   | PIN, grooved                    | 1   |         |          |                                     |     |
| 59      | 187625   | HANDLE, valve, drain            | 1   |         |          |                                     |     |
| 62      | 162453   | NIPPLE, 1/4 npt(m) x 1/4 npsm   | 2   |         |          |                                     |     |
| 63      | 241934   | FRAME, cart                     | 1   |         |          |                                     |     |
| 65      | 195497   | HOOK, pail                      | 1   |         |          |                                     |     |
| 66      | 101242   | RING, retaining, external       | 2   |         |          |                                     |     |

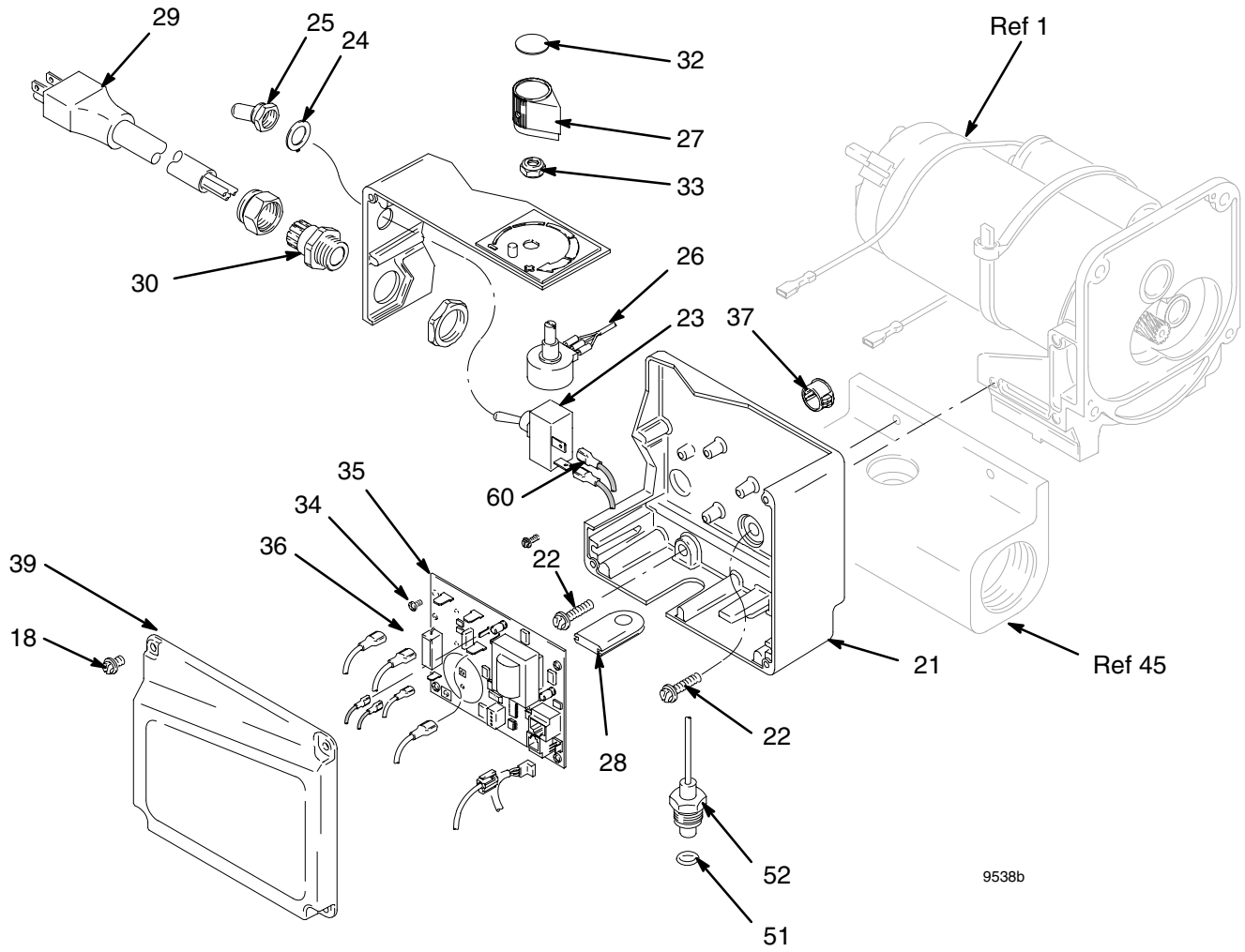
▲ Extra Danger and Warning tags and labels available free.

† Motor Brush Kit 243215 is available

‡ Motor Brush Kit 245894 is available

\* Used on 233823, A only

# Parts Drawing – Sprayer



# Parts List – Sprayer

295ST™

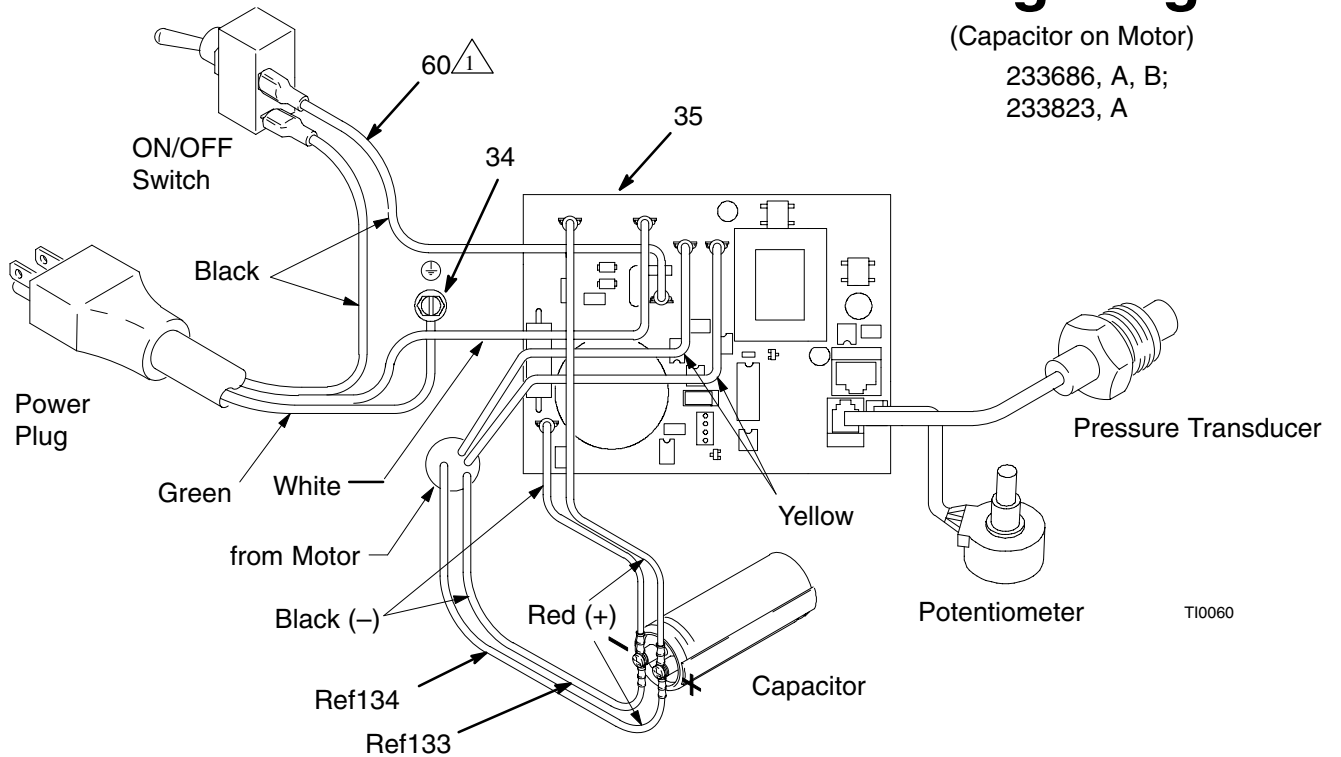
233686, 233823

| REF NO. | PART NO. | DESCRIPTION                     | QTY | REF NO. | PART NO. | DESCRIPTION                    | QTY |
|---------|----------|---------------------------------|-----|---------|----------|--------------------------------|-----|
| 18      | 115492   | SCREW, slot hd, hex, washer hd  | 4   | 33      | 112382   | NUT, shaft, sealing            | 1   |
| 21      | 276539   | HOUSING, control                | 1   | 34      | 115498   | SCREW, slot hd, hex, washer hd | 1   |
| 22      | 115495   | SCREW, slot hd, hex, washer hd  | 5   | 35      |          | BOARD, control                 |     |
| 23      | 195429   | SWITCH, toggle                  | 1   |         | 241989   | 233686, A, B; 233823, A        | 1   |
| 24      | 105658   | RING, locking                   | 1   |         | 245892   | 233686, C; 233823, B           | 1   |
| 25      | 195428   | BOOT, toggle                    | 1   | 36      | 115494   | SCREW, 6-32 X 1/2, TAPTITE     | 5   |
| 26      | 236352   | POTENTIOMETER, adjust, pressure | 1   | 37      | 115756   | BUSHING, strain relief         | 1   |
| 27      | 116167   | KNOB, potentiometer             | 1   | 39      | 195147   | COVER, control                 | 1   |
| 28      | 195423   | GROMMET, transducer             | 1   | 51      | 111457   | O-RING                         | 1   |
| 29      | 241729   | CORD SET, power                 | 1   | 52      | 243222   | TRANSDUCER, pressure control   | 1   |
| 30      | 114421   | BUSHING, strain relief          | 1   |         |          | includes 51                    |     |
| 32      | 193072   | LABEL, control                  | 1   | 60      | 195866   | WIRE, jumper                   | 1   |

## Wiring Diagram

(Capacitor on Motor)

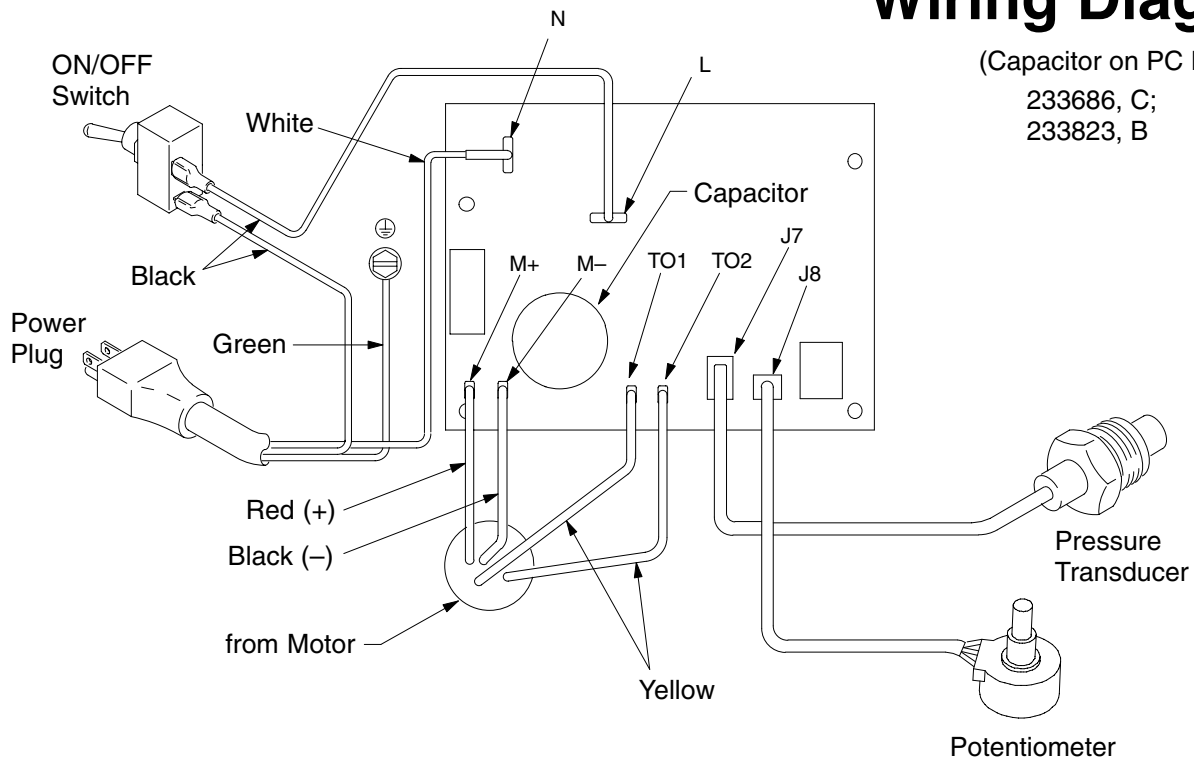
233686, A, B;  
233823, A



△ 1 Used on 233686, A, B; 233823, A only

Fig. 1

# Wiring Diagram



ti2159a

Fig. 2

**TO PLACE AN ORDER OR FOR SERVICE,**  
contact your Graco distributor, or call 1-800-690-2894 to identify the nearest distributor.

*All written and visual data contained in this document reflects the latest product information available at the time of publication.  
Graco reserves the right to make changes at any time without notice.*

**Sales Offices:** Minneapolis, Detroit  
**International Offices:** Belgium, Korea, Hong Kong, Japan

**GRACO INC. P.O. BOX 1441 MINNEAPOLIS, MN 55440-1441**

**www.graco.com**

PRINTED IN USA 309385 6/2001, Revised 4/2002