

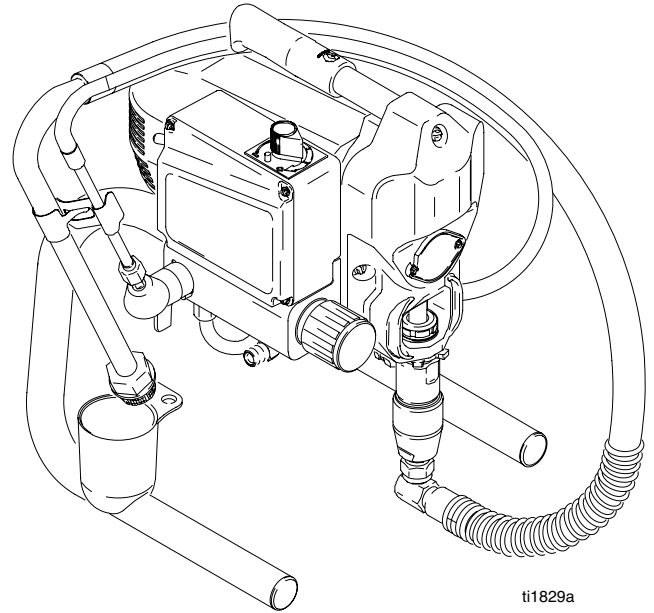
SPX™

Model 826009, A, B, C (Stand)

Model 826011, A, B (Hi-boy)

Airless Paint Sprayers

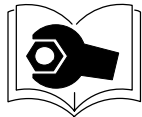
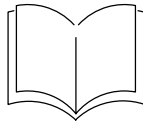
3000 psi (207 bar, 20.7 MPa) Maximum Working Pressure



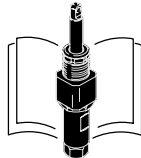
ti1829a

826009

Related manuals



..... 309393



..... 309053



..... 309054



..... 309055



..... 309392

Parts List – Sprayer

SPX™ Stand 826009

REF NO.	PART NO.	DESCRIPTION	QTY	REF NO.	PART NO.	DESCRIPTION	QTY
1		MOTOR, 120 Vac		65	195177	HOLDER, suction tube	1
	242009†	826009, A, B	1	67	107310	PLUG, tubing	4
	245893‡	826009, C	1	68	115506	SCREW, slot hd, hex, washer hd	1
2	115525	BLADE, fan motor	1	69	195425	HANDLE, sprayer	1
3	243219	GEAR, combination	1	70	100016	WASHER, lock	1
7	243218	CRANK SHAFT	1	71	116139	GRIP, handle	1
9	243221	CONNECTING ROD	1	74	243217	SHROUD, motor	1
		includes 9a and 9b				includes 18, 126, 127	
9a	195175	PIN, pump	1	75	195503	VENT, side	1
9b	195512	RETAINER, pin	1	77	115509	SCREW, mach, pnhd, self-drill	1
10	243220	DRIVE HOUSING	1	78	244353	HOSE, suction, flexible	1
		includes 10a and 10b		82	235004	STRAINER	1
10a	195099	COVER	1	84	244040	HOSE, drain, includes 85, 86	1
10b	115492	SCREW	2	85	241920	DEFLECTOR, threaded	1
12	195150	NUT, jam, pump	1	86	195186	CLIP, spring	1
13	243183	PUMP	1	87	114958	STRAP, tie	1
		Manual 309053		92	206994	FLUID, TSL, 8 oz	1
18	115492	SCREW, mach slot hex, washer hd	4	112	243285	GUN, Contractor FTx (515 RAC 5 tip)	1
19	241926	HOSE, coupled, high pressure	1			Manual 309054	
22	115495	SCREW, slot hd, hex, washer hd	8	113	240794	HOSE, coupled, 1/4 in. x 50 ft (15 m)	1
31	195847	ADAPTER, pipe, hex	2	114	195811	LABEL, instruction	1
38	116150	FITTING, adapter	1	126	195833▲	LABEL, WARNING	1
45	195157	HOUSING, filter	1	127	195838▲	LABEL, DANGER	1
46	196773	INSERT, filter	1	128	115491	WIPER, rod	1
47	104361	O-RING	1	130	115762*	SCREW	2
48	243080	FILTER, fluid, 60 mesh	1	131	103546*	WRAP, tie	1
49	195139	CAP, filter	1	132	243415*	CAPACITOR	1
53	111699	GASKET, seat, valve	1	133	195936*	WIRE, jumper, red	1
55	187615	VALVE, seat	1	134	195937*	WIRE, jumper, black	1
56	235014	ASSY, drain valve	1				
		includes 53 and 55					
57	224807	ASSY, cam, drain valve	1				
58	111600	PIN, grooved	1				
59	187625	HANDLE, valve, drain	1				
62	162453	NIPPLE, 1/4 npt(m) x 1/4 npsm	2				
63	245221	FRAME, stand mount	1				

▲Extra Danger and Warning tags and labels available free.

† Motor Brush Kit 243215 is available

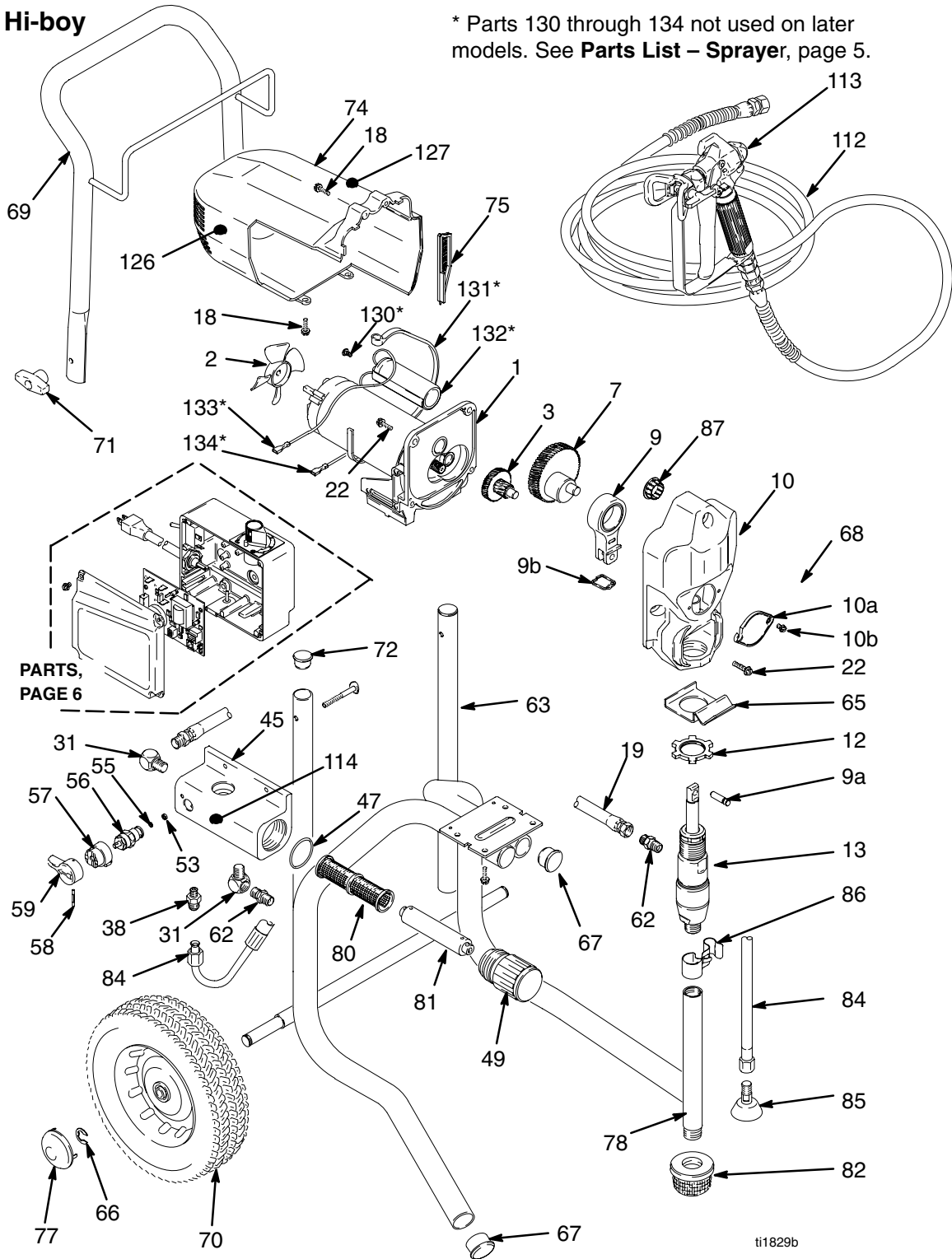
‡ Motor Brush Kit 245894 is available

* Used on 826009, A, B only

Parts Drawing – Sprayer

SPX™ Hi-boy
826011

* Parts 130 through 134 not used on later models. See **Parts List – Sprayer**, page 5.



ti1829b

Parts List – Sprayer

SPX™ Hi-boy 826011

REF NO.	PART NO.	DESCRIPTION	QTY	REF NO.	PART NO.	DESCRIPTION	QTY
1		MOTOR, 120 Vac		67	107310	PLUG, tubing	4
	242009†	826011, A	1	68	115097	SCREW, curved head	2
	245893‡	826011, B	1	69	241938	HANDLE, cart	1
2	115525	BLADE, fan motor	1	70	106062	WHEEL, semi-pneumatic	2
3	243219	GEAR, combination	1	71	115480	KNOB, t-handle	2
7	243218	CRANK SHAFT	1	72	105521	PLUG, tubing	4
9	243221	CONNECTING ROD	1	74	243217	SHROUD, motor,kit	1
		includes 9a and 9b				includes 18, 75, 126, 127	
9a	195175	PIN, pump	1	75	195503	VENT, side	1
9b	195512	RETAINER, pin	1	77	104811	CAP, hub	2
10	243220	DRIVE HOUSING	1	78	198973	TUBE, suction	1
		includes 10a and 10b		80	243080	FILTER, fluid	1
10a	195099	COVER	1	81	196773	FILTER, insert	1
10b	115492	SCREW	2	82	183770	STRAINER, kit	1
12	195150	NUT, jam, pump	1	84	244042	HOSE, drain,	1
13	243183	PUMP	1	85	241920	DEFLECTOR, threaded	1
		Manual 309060		86	195696	CLIP, spring	1
18	115492	SCREW, mach slot hex, washer hd	4	87	115979	PLUG	1
19	241926	HOSE, coupled, high pressure	1	112	243285	GUN, Contractor FTx (515 RAC 5 Tip)	1
22	115495	SCREW, slot hd, hex, washer hd	8			Manual 309054	
31	195847	ADAPTER, pipe, hex	2	113	240794	HOSE, 1/4 in. x 50 ft (15 m)	1
38	116150	FITTING, adapter	1	114	195811	LABEL, instruction	1
45	195157	HOUSING, filter	1	126	195833▲	LABEL, WARNING	1
47	104361	O-RING	1	127	195838▲	LABEL, DANGER	1
49	195139	CAP, filter	1	130	115762*	SCREW	2
53	111699	GASKET, seat, valve	1	131	103546*	WRAP, tie	1
55	187615	VALVE, seat	1	132	243415*	CAPACITOR	1
56	235014	ASSY, drain valve	1	133	195936*	WIRE, jumper, red	1
		includes 53 and 55		134	195937*	WIRE, jumper, black	1
57	224807	ASSY, cam, drain valve	1				
58	111600	PIN, grooved	1				
59	187625	HANDLE, valve, drain	1				
62	162453	NIPPLE, 1/4 npt(m) x 1/4 npsm	2				
63	241934	FRAME, cart	1				
65	195497	HOOK, pail	1				
66	101242	RING, retaining, external	2				

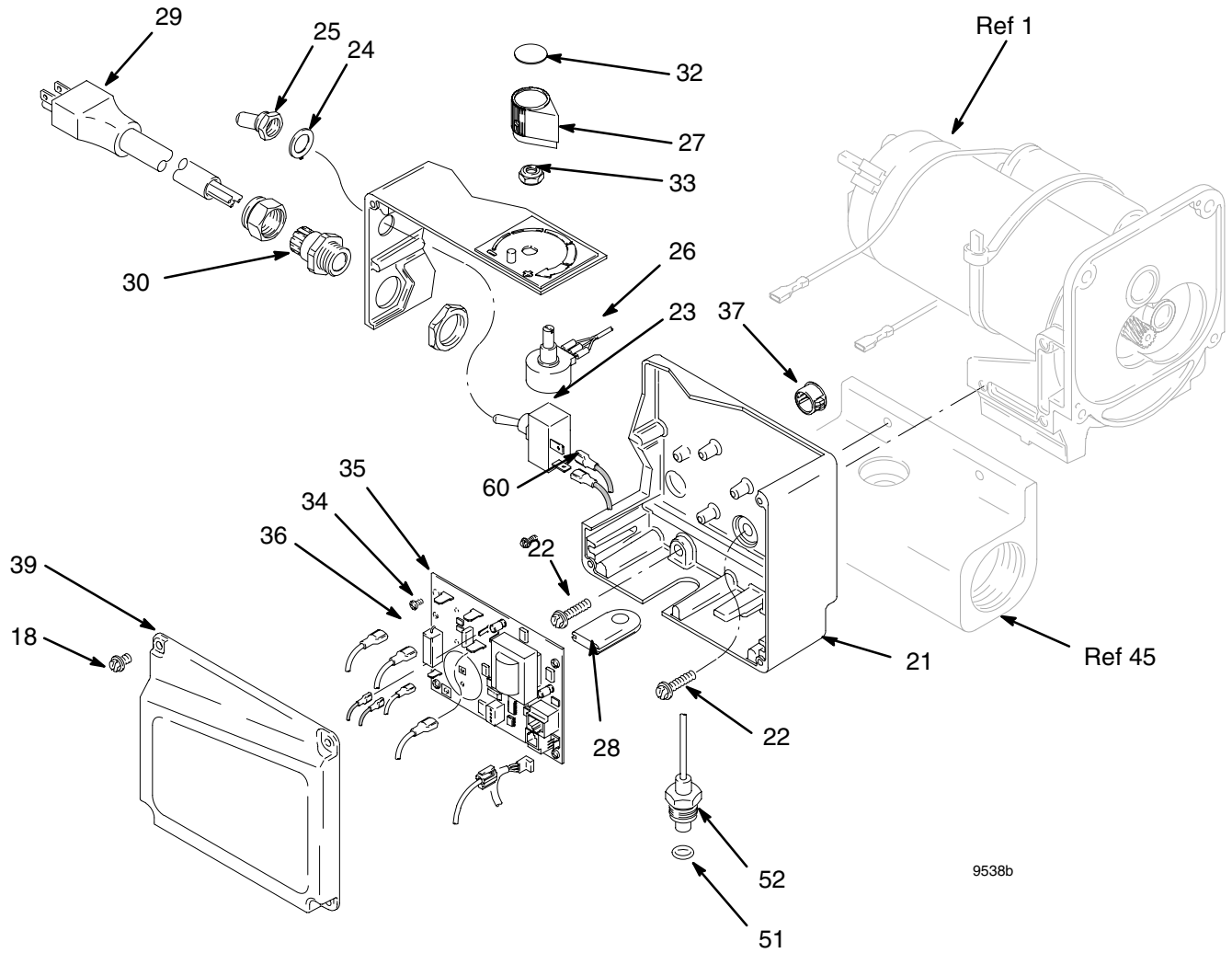
▲ Extra Danger and Warning tags and labels available free.

† Motor Brush Kit 243215 is available

‡ Motor Brush Kit 245894 is available

* Used on 826011, A only

Parts Drawing – Sprayer

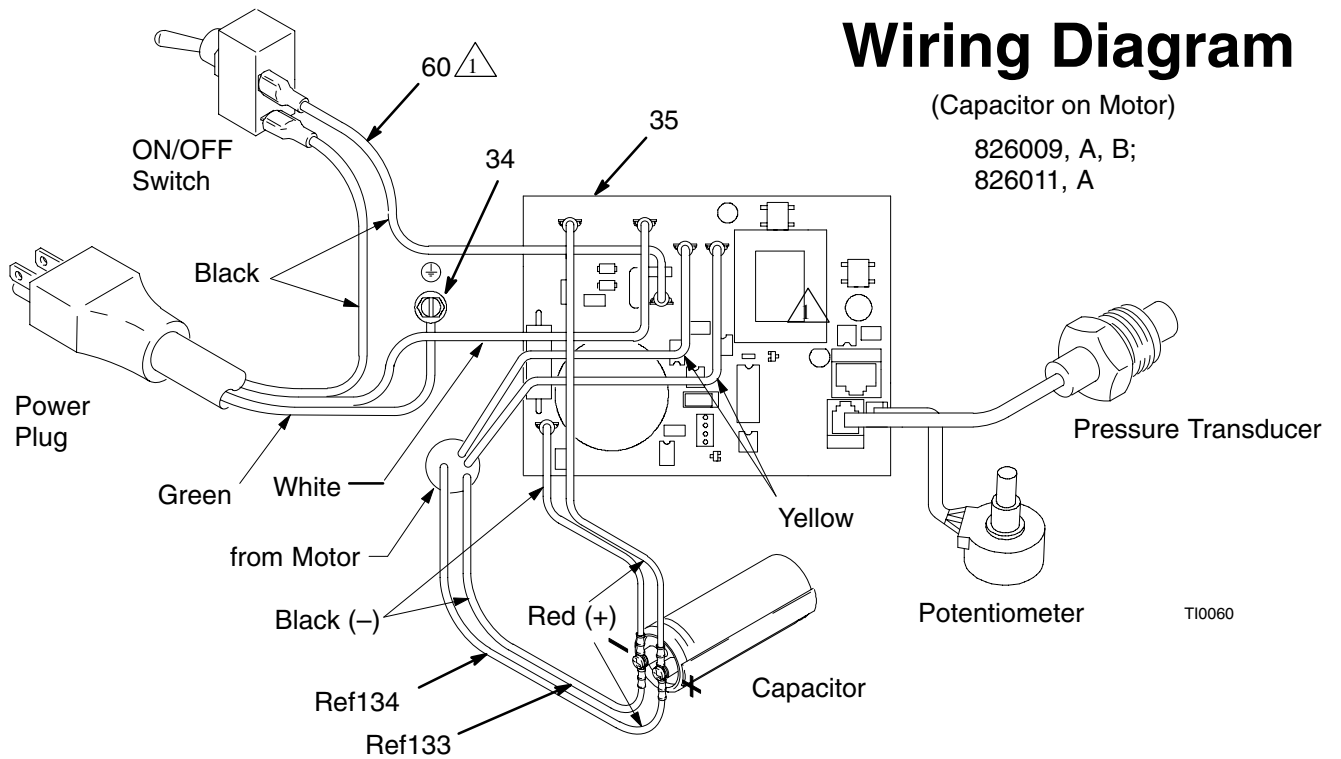


Parts List – Sprayer

SPX™

826009, 826011

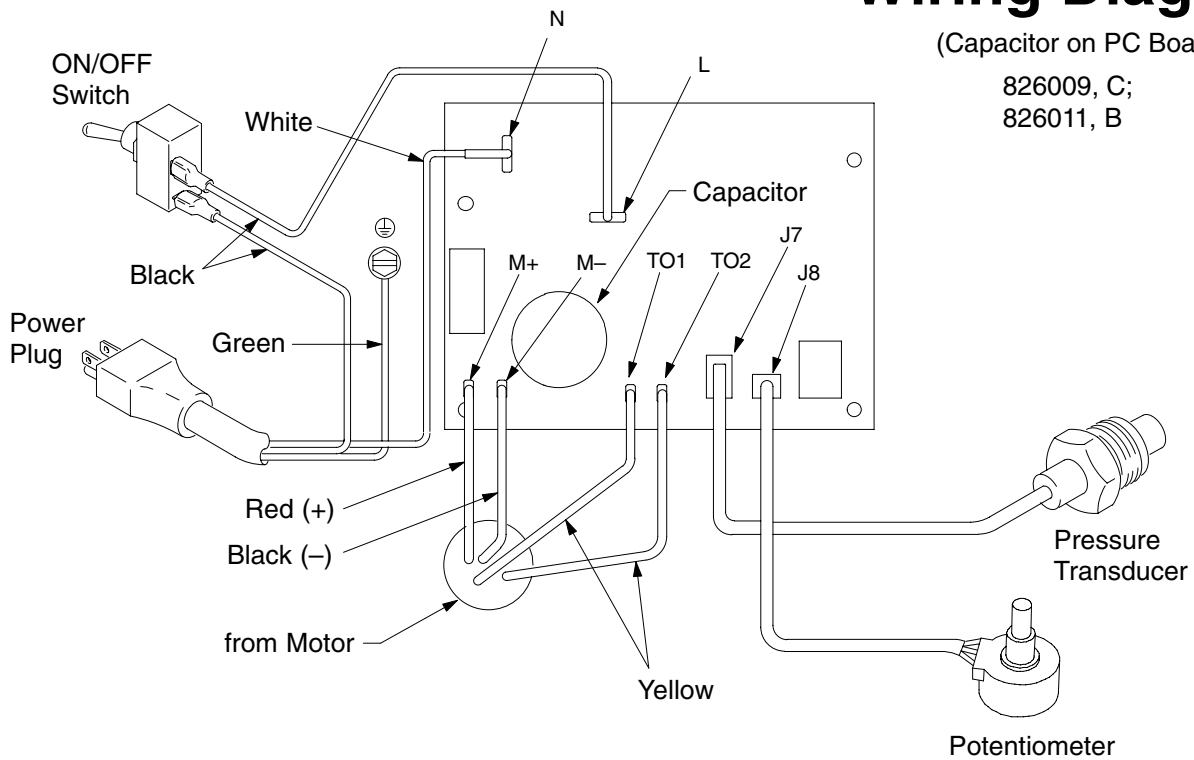
REF NO.	PART NO.	DESCRIPTION	QTY	REF NO.	PART NO.	DESCRIPTION	QTY
18	115492	SCREW, slot hd, hex, washer hd	4	33	112382	NUT, shaft, sealing	1
21	276539	HOUSING, control	1	34	115498	SCREW, slot hd, hex, washer hd	1
22	115495	SCREW, slot hd, hex, washer hd	5	35		BOARD, control	
23	195429	SWITCH, toggle	1		241989	826009, A, B; 826011, A	1
24	105658	RING, locking	1		245892	826009, C; 826011, B	1
25	195428	BOOT, toggle	1	36	115494	SCREW, 6-32 X 1/2, TAPTITE	5
26	236352	POTENTIOMETER, adjust, pressure	1	37	115756	BUSHING, strain relief	1
27	116167	KNOB, potentiometer	1	39	195147	COVER, control	1
28	195423	GROMMET, transducer	1	51	111457	O-RING	1
29	241729	CORD SET, power	1	52	243222	TRANSDUCER, pressure control includes 51	1
30	114421	BUSHING, strain relief	1	60	195866	WIRE, jumper	1
32	193072	LABEL, control	1				



Used on 826009, A, B; 826011, A only

Fig. 1

Wiring Diagram



ti2159a

Phone Number

TO PLACE AN ORDER, contact your Graco distributor, or call this number to identify the distributor closest to you:
1-800-690-2894 Toll Free

*All written and visual data contained in this document reflect the latest product information available at the time of publication.
Graco reserves the right to make changes at any time without notice.*

mm 309391

This manual contains English

Graco Headquarters: Minneapolis

International Offices: Belgium, Korea, China, Japan

GRACO INC. P.O. BOX 1441 MINNEAPOLIS, MN 55440-1441

www.graco.com

PRINTED IN U.S.A. 6/2001, Rev 11/2005