



Read and keep for reference. For detailed instructions and warnings, see manual 309300.

GRACO
First choice when quality counts™

High Viscosity Dispense Valve Kit 244983

For dispensing high viscosity fluid with ProBatch™ system.
Dispense valve must be ordered separately.



Recommend using 1/4" dispense valve with kit.

Kit includes following parts. See **FIG. 2**.

Ref. #	Part No.	Description	Qty.
1	512905	Fitting, bulkhead, 1/2 npt	1
2	207296	Hose, coupled, 3/8 npt, 2500 psi (17 MPa, 172 bar)	1
3	162803	Fitting, union, 1/4 npt x 3/8 npsm	1
4	166421	Nipple, pipe, 1/4-18 npt	1
5	598095	Nylon Tube, 5/32 OD, 25 ft.	1
6	114263	Fitting, tube, 1/8 npt x 5/32 tube	1
7	113073	Air Regulator, compensating	1
8	1000081	Bushing, pipe	1

Installing Dispense Valve Kit



To reduce the risk of injury from pressurized fluid or electric shock, before servicing equipment:

- Relieve pressure as instructed in manual 309300.
- Turn off ProBatch power switch and disconnect electrical power supply.

1. Purge ProBatch system and relieve pressure as instructed in manual 309300.
2. Turn off ProBatch power switch and disconnect electrical power supply.
3. Loosen the four screws and remove front manifold cover.



If bulkhead fitting (1) is installed in either of the two top ports, remove the control box as instructed in manual 309300.

4. Slide out dispense valve tray (K). Tip it down and hook the notch on the pin to hold tray in place.

5. Disconnect tubing (C and F) from dispense valve (A). See **FIG. 1**.
6. Remove nut (J) with a 7/8" 6-point socket wrench and remove dispense valve (A). Remove fluid inlet tube fitting (B).
7. Remove two hex nuts (D), fluid regulator (E), and tubing (F).

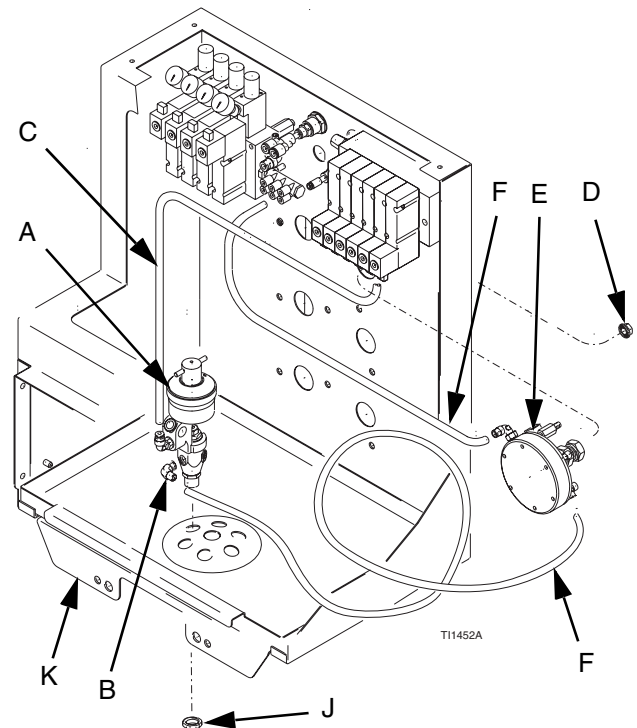


FIG. 1

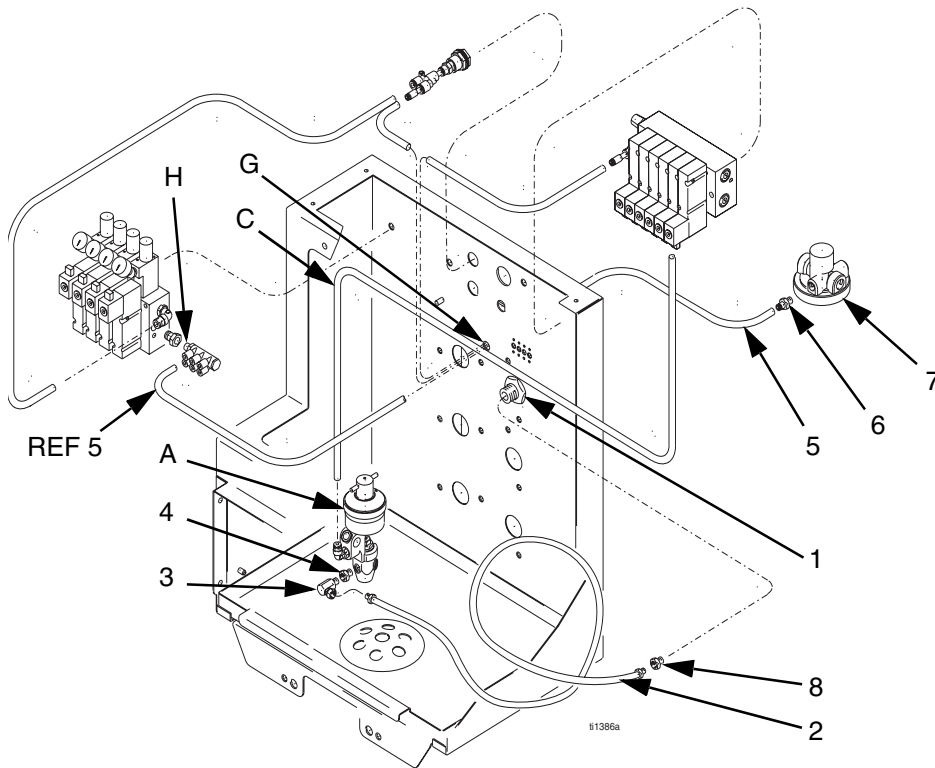



FIG. 2

8. Feed new tubing (5) through hole (G) and connect to the solenoid/regulator bank manifold (H). See **FIG. 2**.
9. Mount air regulator (7) to air supply on pump. Regulator port is 3/8 npt(f).
10. Install tube fitting (6) into air regulator (7), and connect tubing (5) to fitting.
11. Install nipple (4) and 90° fitting (3) in dispense valve fluid inlet.
12. Install 1/4" dispense valve (A) in desired port in the tray and secure it with the nut (J). See **FIG. 3**. Be sure that PTFE-coated side of nut (J) faces the valve.
13. Assemble bulkhead (1) into empty regulator port. See **FIG. 2**.
14. Install bushing (8) on end of fluid hose (2). Connect hose between bulkhead (1) and dispense valve fitting (3).

 Place a loop in the fluid hose (2) as shown in **FIG. 2** and **FIG. 3** to avoid crimping it.

15. Reconnect the pneumatic tubing (C) to the dispense valve air inlet.

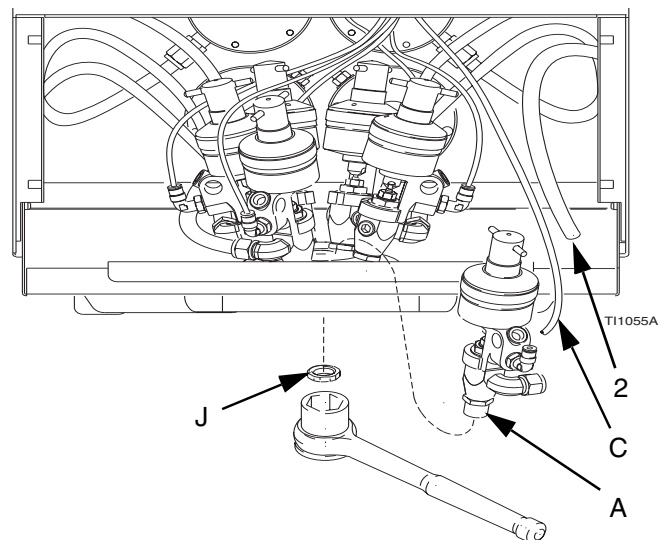


FIG. 3