

Trailer Hitch Conversion Kit 245321

309405K

EN

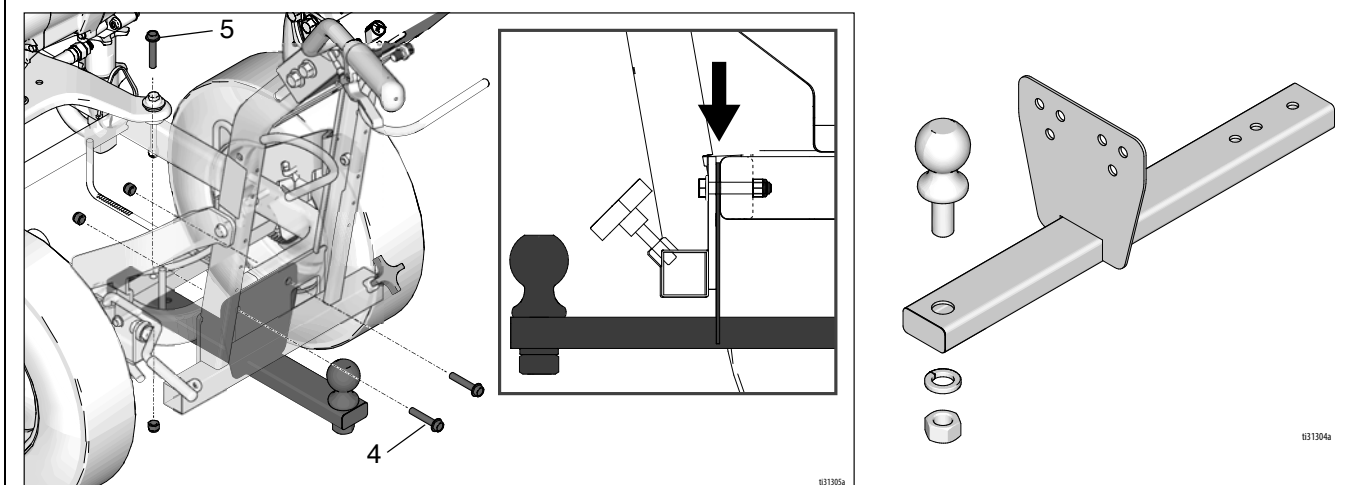


Important Safety Instructions

Read all warnings and instructions in this manual.
Save these instructions.

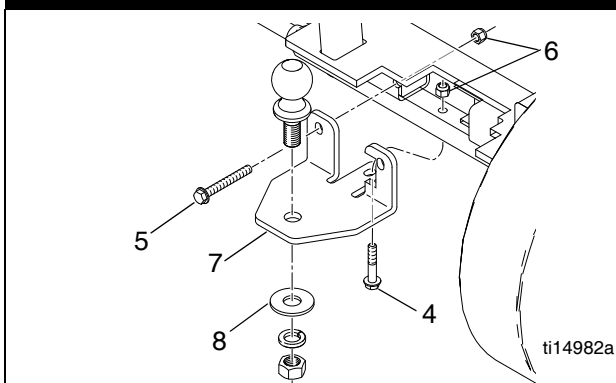
10 mph (16 kph) Maximum Operating Speed

Graco LineLazer 3900, 5900, and 200HS



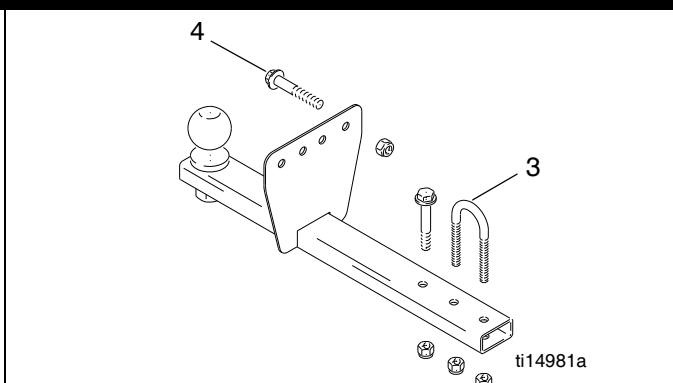
Remove two bolts (4) in frame of LineLazer.

GrindLazer 270 and 390



1. Remove ball from standard hitch assembly.
2. Align bracket (7) and assemble two locknuts (6) and bolts (5).
3. Assemble bolt (4) and locknut (6).
4. Assemble ball onto bracket (7) with washer (8) and locknut.

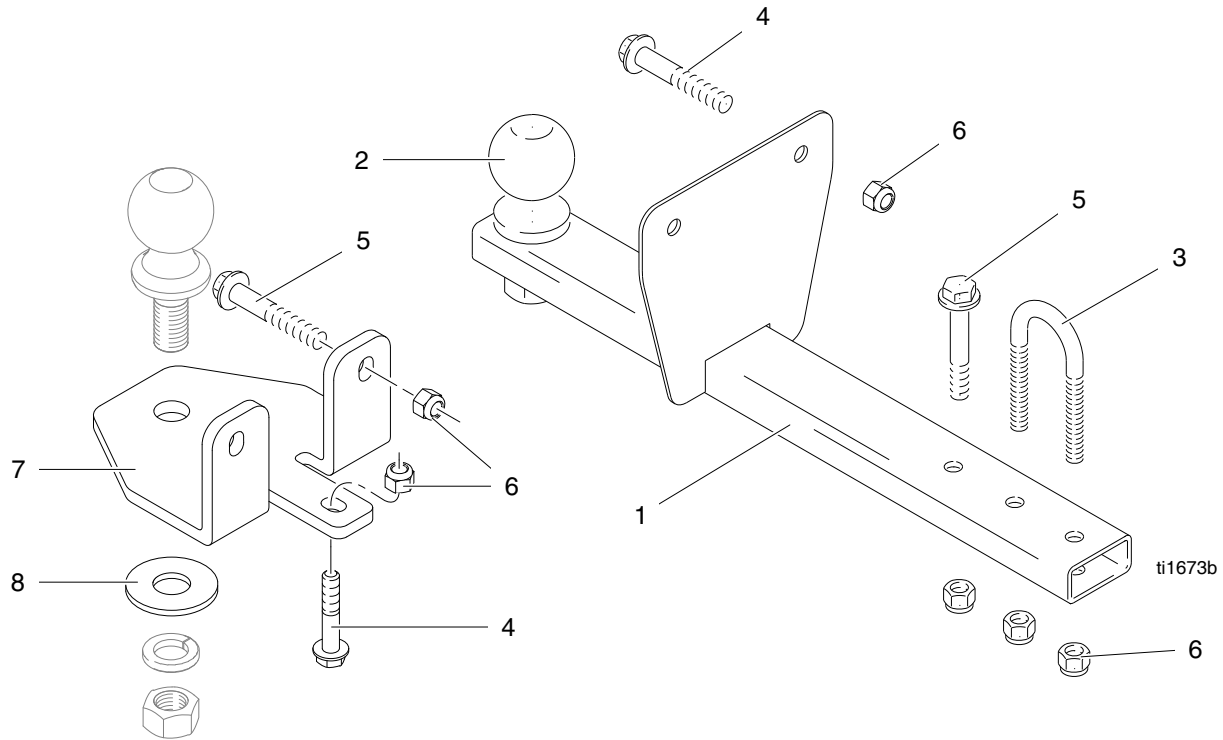
Other Stripers



1. Install hitch receiver similar to LineLazer installation instructions shown.
2. Drill 3/8 in. holes as necessary for installation of bolts (4).
3. Use U-bolt (3) on round axles.
4. Mount hitch level.

NOTE: Other modifications may be necessary, depending on sprayer.

Parts Drawing



Ref.	Part	Description	Qty
1	287681	HITCH, LineDriver	1
2	116913	BALL, trailer	1
3	116997	U-BOLT, 3/8-16 (used on line stripers with round axles)	1
4	111194	SCREW, cap, flange hd	3
5	116935	SCREW, cap, flange hd	3
6	101566	NUT, lock	8
7	16C486	BRACKET, hitch mount, painted	1
8	110947	WASHER, plain	2

All written and visual data contained in this document reflects the latest product information available at the time of publication. Graco reserves the right to make changes at any time without notice.

For patent information, see www.graco.com/patents

Original instructions. This manual contains English. MM 309405

Graco Headquarters: Minneapolis

International Offices: Belgium, China, Japan, Korea

GRACO INC. AND SUBSIDIARIES • P.O. BOX 1441 • MINNEAPOLIS MN 55440-1441 • USA
Copyright 2009, Graco Inc. All Graco manufacturing locations are registered to ISO 9001.

www.graco.com
 Revised K, April 2017