

# PARTS



# 309715

Rev. B

## ST™

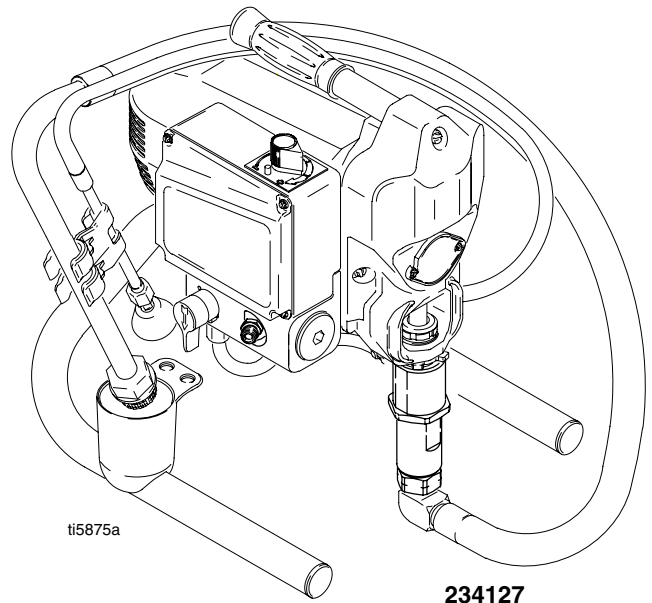
234127, A, B

## STX™

234126, A, B

# Airless Paint Sprayers

3000 psi (207 bar, 20.7 MPa) Maximum Working Pressure



Related manuals

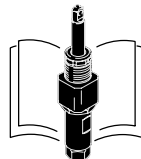


ti5875a

234127



..... 309710



..... 309060; ST  
..... 309053; STX



..... 309045; ST  
..... 309639; STX



..... 309055; ST  
..... 309640; STX



..... 309665

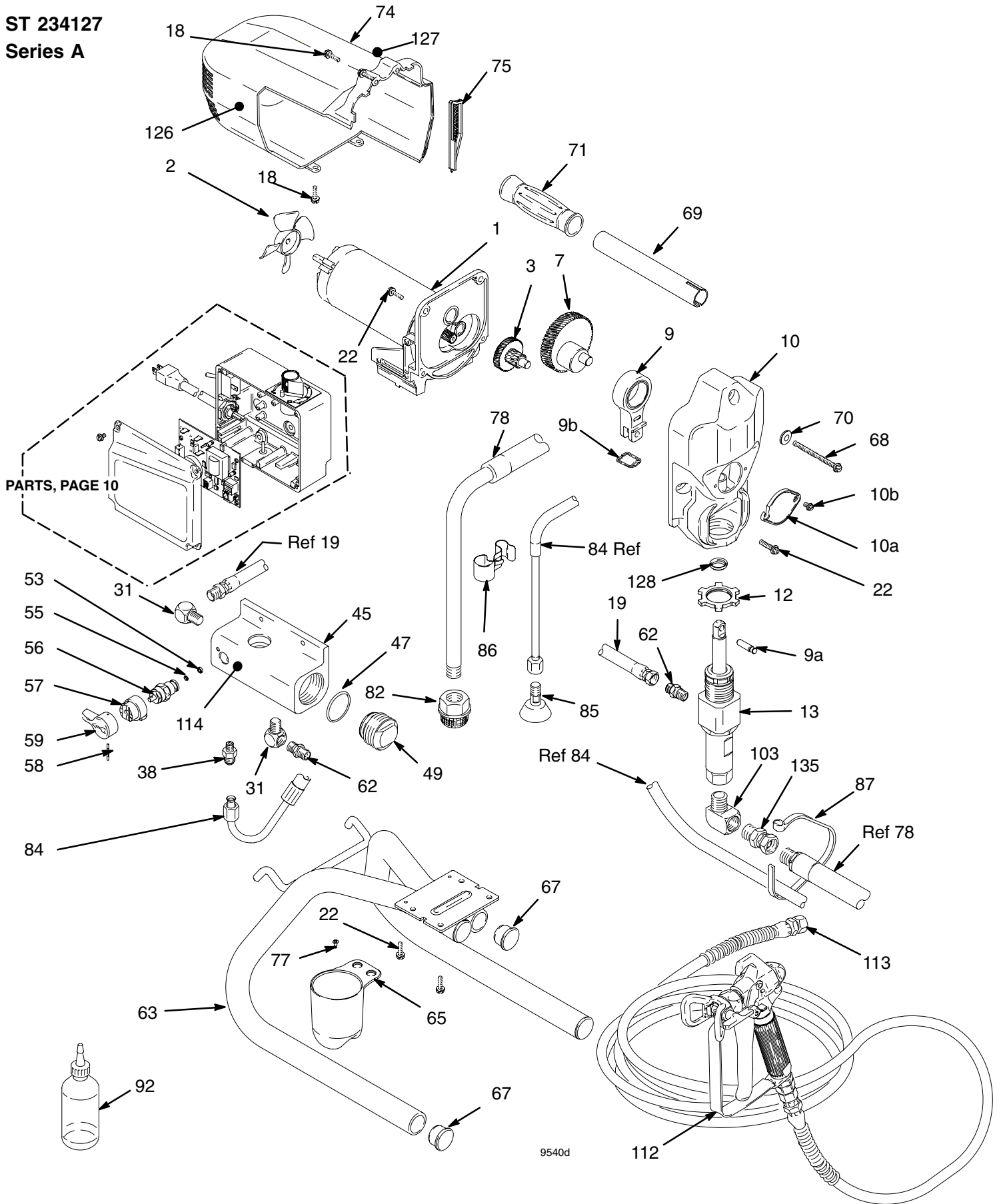
GRACO INC. P.O. BOX 1441 MINNEAPOLIS, MN 55440-1441

©COPYRIGHT 2002, GRACO INC.

Graco Inc. is registered to I.S. EN ISO 9001

# \*Parts Drawing – Sprayer

ST 234127  
Series A



# Parts List – Sprayer

ST 234127

Series A

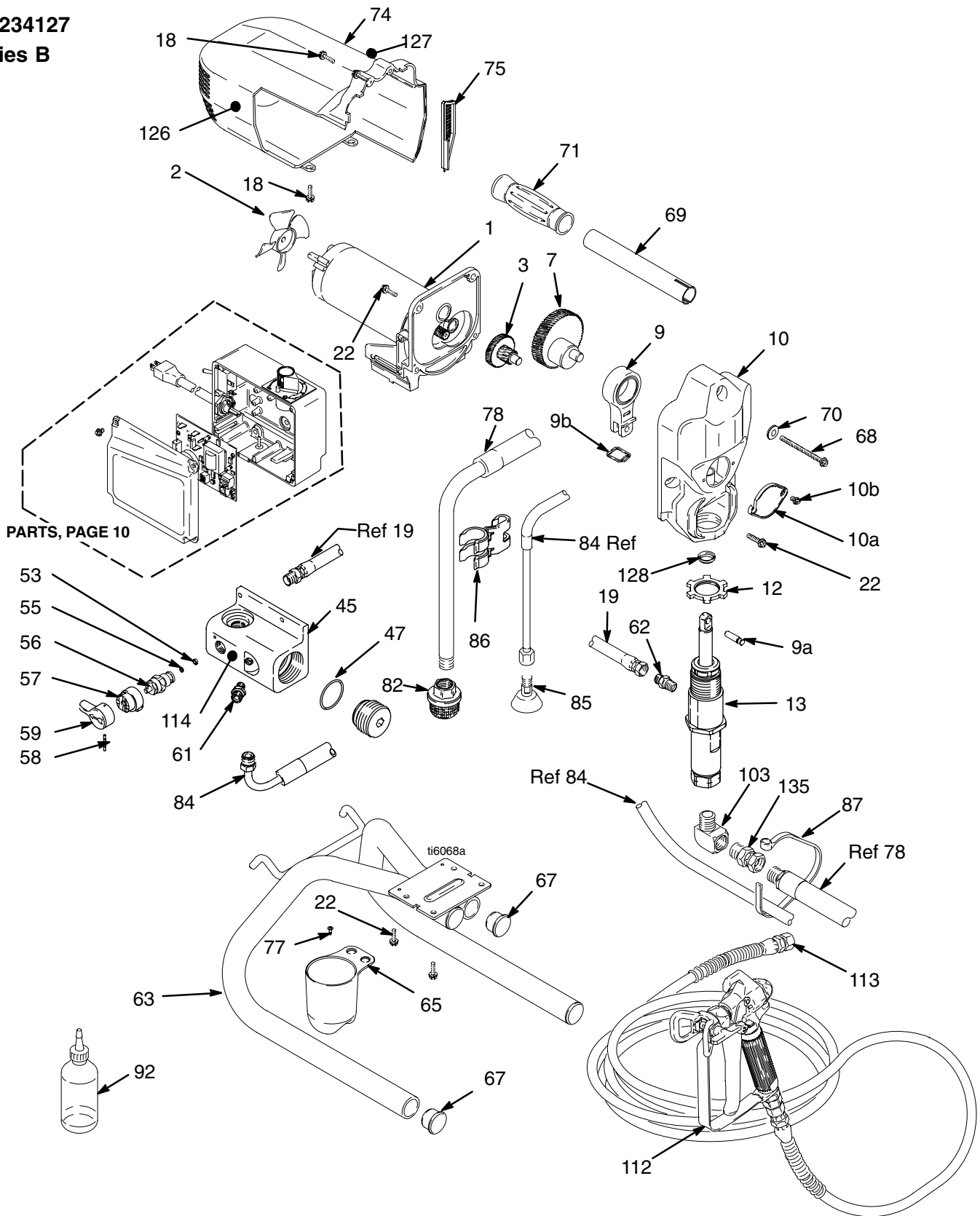
REF NO.	PART NO.	DESCRIPTION	QTY	REF NO.	PART NO.	DESCRIPTION	QTY
1	245893‡	<b>MOTOR, 120 vac</b>	1	63	241858	FRAME, stand mount	1
2	115525	BLADE, fan motor	1	65	195177	HOLDER, suction tube	1
3	243219	<b>GEAR, combination</b>	1	67	107310	PLUG, tubing	4
7	243218	<b>CRANK SHAFT</b>	1	68	115506	SCREW, slot hd, hex, washer hd	1
9	243221	<b>CONNECTING ROD</b>	1	69	195425	HANDLE, sprayer	1
		includes 9a and 9b		70	100016	WASHER, lock	1
9a	195175	PIN, pump	1	71	108063	GRIP, handle	1
9b	195512	RETAINER, pin	1	74	243217	SHROUD, motor	1
10	243220	<b>DRIVE HOUSING</b>	1			includes 18, 126, 127	
		includes 10a and 10b		75	195503	VENT, side	1
10a	195099	COVER	1	77	115509	SCREW, mach, pnhd, self-drill	1
10b	115492	SCREW	2	78	244354	HOSE, suction, flexible	1
12	195150	NUT, jam, pump	1	82	235004	STRAINER	1
13	243187	<b>PUMP</b>	1	84	244040	HOSE, drain, includes 85, 86	1
		Manual 309060		85	241920	DEFLECTOR, threaded	1
18	115492	SCREW, mach slot hex, washer hd	4	86	195186	CLIP, spring	1
19	241926	HOSE, coupled, high pressure	1	87	114958	STRAP, tie	1
22	115495	SCREW, slot hd, hex, washer hd	8	92	206994	FLUID, TSL, 8 oz	1
31	195847	ADAPTER, pipe, hex	2	103	115764	FITTING, elbow, 90°	1
38	116150	FITTING, adapter	1	112	246506	GUN, SG3, 515 RAC® 5 tip	1
45	195157	HOUSING, filter	1			Manual 309045	
47	104361	O-RING	1	113	241923	HOSE, coupled, 1/4 in. x 50 ft (15 m)	1
49	195372	CAP, filter	1	114	195811	LABEL, instruction	1
53	111699	GASKET, seat, valve	1	126	195833▲	LABEL, WARNING	1
55	187615	VALVE, seat	1	127	195838▲	LABEL, DANGER	1
56	235014	ASSY, drain valve	1	128	115491	WIPER, rod	1
		includes 53 and 55		135	156684	UNION, adapter	1
57	224807	ASSY, cam, drain valve	1				
58	111600	PIN, grooved	1				
59	187625	HANDLE, valve, drain	1				
62	162453	NIPPLE, 1/4 npt(m) x 1/4 npsm	2				

▲Extra Danger and Warning tags and labels available free.

‡ Motor Brush Kit 245894 is available

# \*Parts Drawing – Sprayer

ST 234127  
Series B



# Parts List – Sprayer

ST 234127

Series B

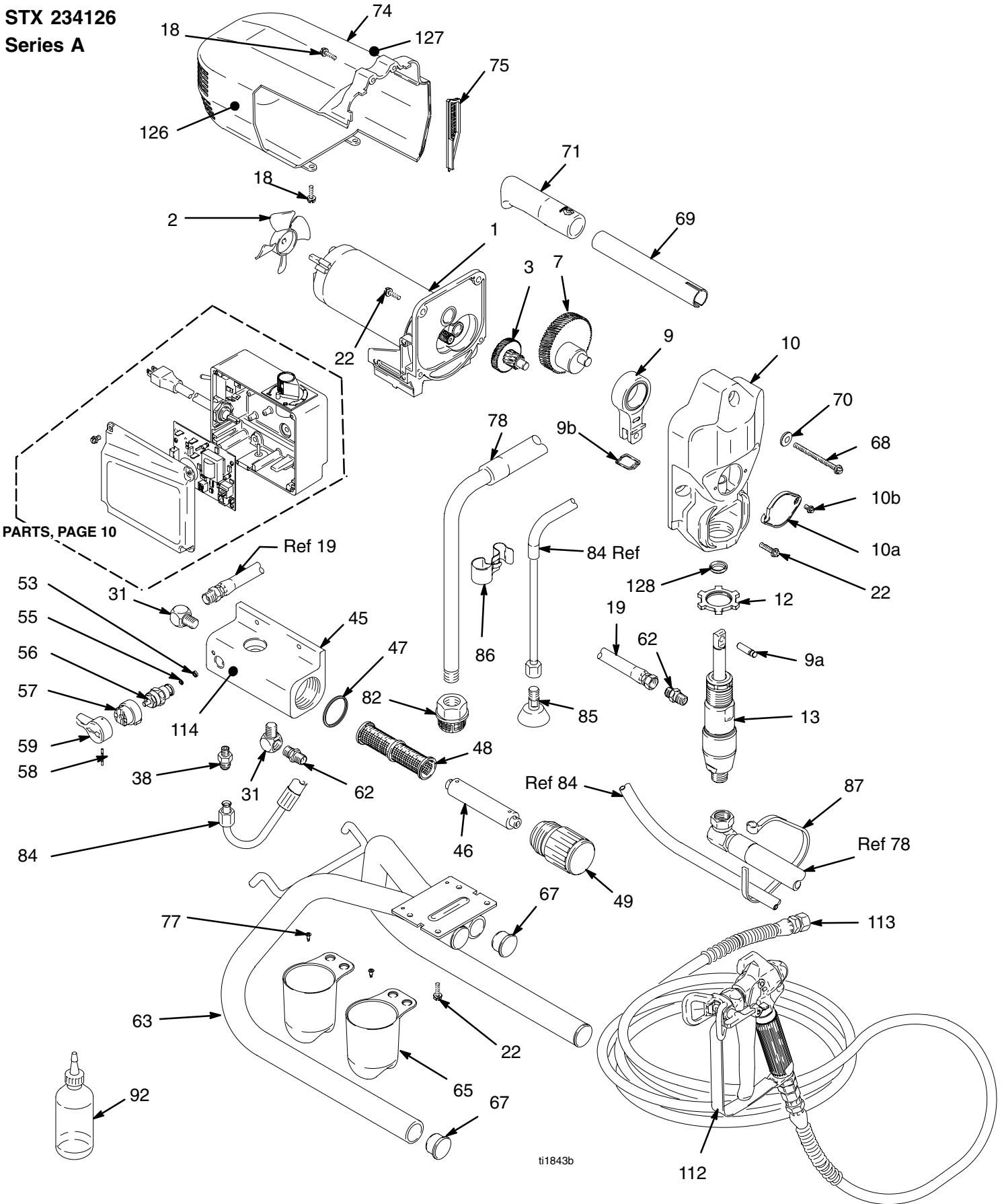
REF NO.	PART NO.	DESCRIPTION	QTY	REF NO.	PART NO.	DESCRIPTION	QTY
1	245893‡	<b>MOTOR, 120 vac</b>	1	63	241858	FRAME, stand mount	1
2	115525	BLADE, fan motor	1	65	195177	HOLDER, suction tube	1
3	243219	<b>GEAR, combination</b>	1	67	107310	PLUG, tubing	4
7	243218	<b>CRANK SHAFT</b>	1	68	115506	SCREW, slot hd, hex, washer hd	1
9	243221	<b>CONNECTING ROD</b>	1	69	195425	HANDLE, sprayer	1
		includes 9a and 9b		70	100016	WASHER, lock	1
9a	195175	PIN, pump	1	71	108063	GRIP, handle	1
9b	195512	RETAINER, pin	1	74	243217	SHROUD, motor	1
10	243220	<b>DRIVE HOUSING</b>	1			includes 18, 126, 127	
		includes 10a and 10b		75	195503	VENT, side	1
10a	195099	COVER	1	77	115509	SCREW, mach, pnhd, self-drill	1
10b	115492	SCREW	2	78	244354	HOSE, suction, flexible	1
12	195150	NUT, jam, pump	1	82	235004	STRAINER	1
13	243187	<b>PUMP</b>	1	84	244240	HOSE, drain, includes 85, 86	1
		Manual 309060		85	241920	DEFLECTOR, threaded	1
18	115492	SCREW, mach slot hex, washer hd	4	86	276888	CLIP, spring	1
19	241926	HOSE, coupled, high pressure	1	87	114958	STRAP, tie	1
22	115495	SCREW, slot hd, hex, washer hd	8	92	206994	FLUID, TSL, 8 oz	1
45	15E180	HOUSING, filter	1	103	115764	FITTING, elbow, 90°	1
47	104361	O-RING	1	112	246506	GUN, SG3, 515 RAC® 5 tip	1
49	195372	CAP, filter	1			Manual 309045	
53	111699	GASKET, seat, valve	1	113	241923	HOSE, coupled, 1/4 in. x 50 ft (15 m)	1
55	187615	VALVE, seat	1	114	195811	LABEL, instruction	1
56	235014	ASSY, drain valve	1	126	195833▲	LABEL, WARNING	1
		includes 53 and 55		127	195838▲	LABEL, DANGER	1
57	224807	ASSY, cam, drain valve	1	128	115491	WIPER, rod	1
58	111600	PIN, grooved	1	135	156684	UNION, adapter	1
59	187625	HANDLE, valve, drain	1				
61	15E539	NIPPLE, 1/4 nps(m) x 1/8 npsm	1				
62	162453	NIPPLE, 1/4 npt(m) x 1/4 npsm	1				

▲Extra Danger and Warning tags and labels available free.

‡ Motor Brush Kit 245894 is available

# \*Parts Drawing – Sprayer

STX 234126  
Series A



ti1843b

# Parts List – Sprayer

STX 234126

Series A

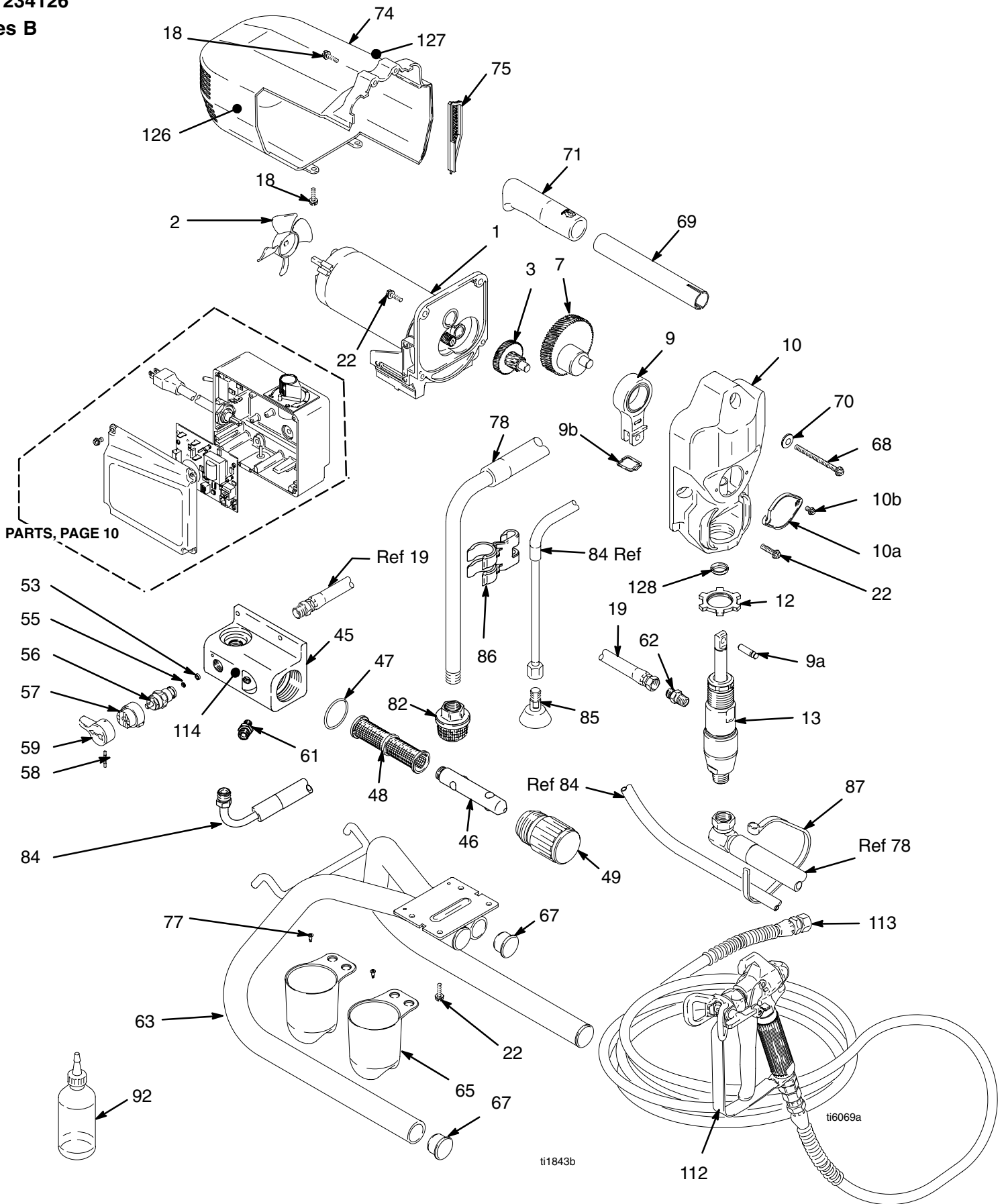
REF NO.	PART NO.	DESCRIPTION	QTY	REF NO.	PART NO.	DESCRIPTION	QTY
1	245893‡	<b>MOTOR, 120 Vac</b>	1	59	187625	HANDLE, valve, drain	1
2	115525	BLADE, fan motor	1	62	162453	NIPPLE, 1/4 npt(m) x 1/4 npsm	2
3	243219	<b>GEAR, combination</b>	1	63	245221	FRAME, stand mount	1
7	243218	<b>CRANK SHAFT</b>	1	65	195177	HOLDER, suction tube	2
9	243221	<b>CONNECTING ROD</b>	1	67	107310	PLUG, tubing	4
		includes 9a and 9b		68	115506	SCREW, slot hd, hex, washer hd	1
9a	195175	PIN, pump	1	69	195425	HANDLE, sprayer	1
9b	195512	RETAINER, pin	1	70	100016	WASHER, lock	1
10	243220	<b>DRIVE HOUSING</b>	1	71	116139	GRIP, handle	1
		includes 10a and 10b		74	243217	SHROUD, motor	1
10a	195099	COVER	1			includes 18, 126, 127	
10b	115492	SCREW	2	75	195503	VENT, side	1
12	195150	NUT, jam, pump	1	77	115509	SCREW, mach, pnhd, self-drill	2
13	246426	<b>PUMP</b>	1	78	244353	HOSE, suction, flexible	1
		Manual 309053		82	235004	STRAINER	1
18	115492	SCREW, mach slot hex, washer hd	4	84	244040	HOSE, drain, includes 85, 86	1
19	241926	HOSE, coupled, high pressure	1	85	241920	DEFLECTOR, threaded	1
22	115495	SCREW, slot hd, hex, washer hd	8	86	195186	CLIP, spring	1
31	195847	ADAPTER, pipe, hex	2	87	114958	STRAP, tie	1
38	116150	FITTING, adapter	1	92	206994	FLUID, TSL, 8 oz	1
45	195157	HOUSING, filter	1	112	246230	GUN, Contractor FTx II, 515 RAC® X tip	1
46	196773	INSERT, filter	1			Manual 309639	
47	104361	O-RING	1	113	240794	HOSE, coupled, 1/4 in. x 50 ft (15 m)	1
48	243080	FILTER, fluid, 60 mesh	1	114	195811	LABEL, instruction	1
49	195139	CAP, filter	1	126	195833▲	LABEL, WARNING	1
53	111699	GASKET, seat, valve	1	127	195838▲	LABEL, DANGER	1
55	187615	VALVE, seat	1	128	115491	WIPER, rod	1
56	235014	ASSY, drain valve	1				
		includes 53 and 55					
57	224807	ASSY, cam, drain valve	1				
58	111600	PIN, grooved	1				

▲Extra Danger and Warning tags and labels available free.

‡ Motor Brush Kit 245894 is available

# \*Parts Drawing – Sprayer

STX 234126  
Series B





# Parts List – Sprayer

STX 234126

Series B

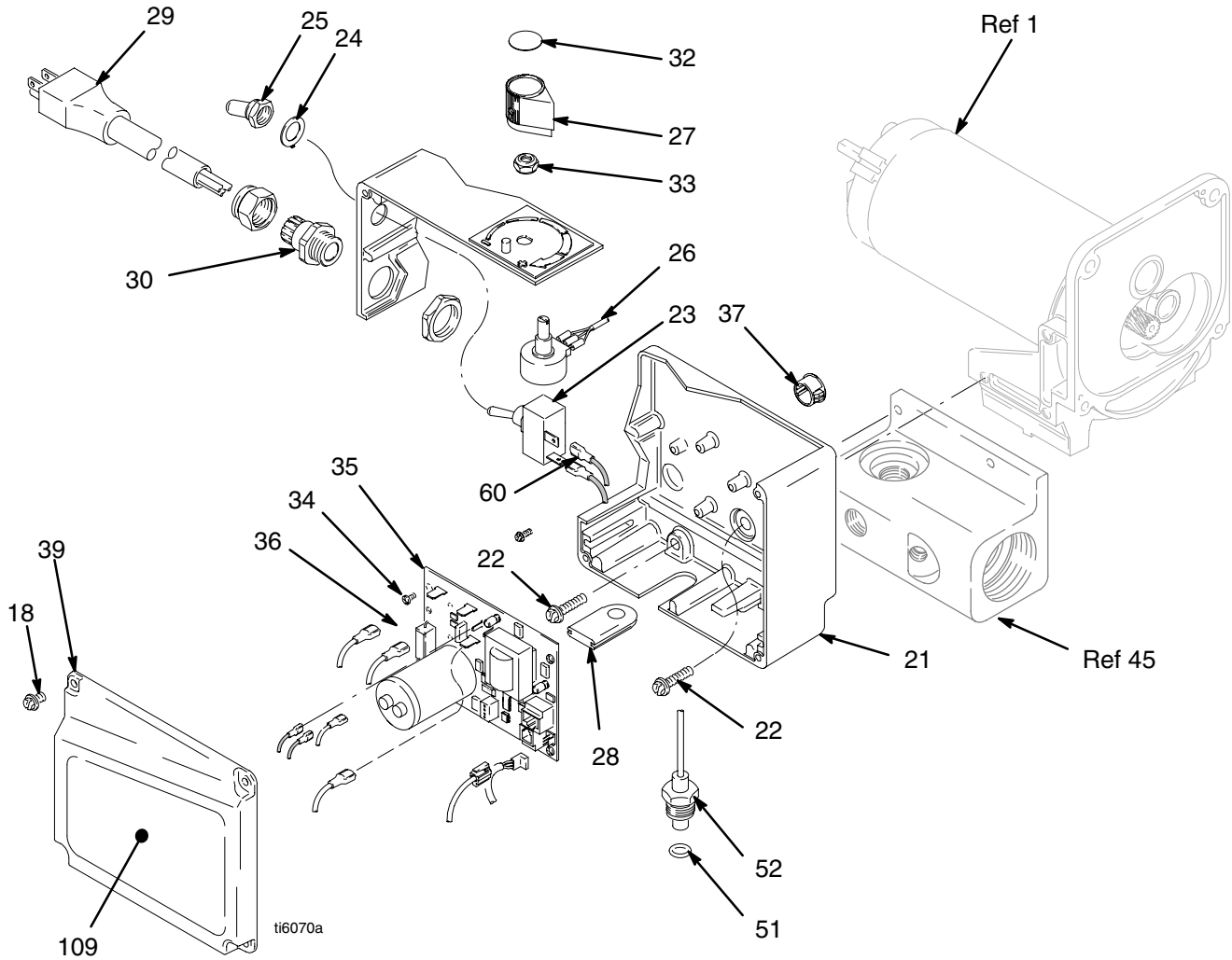
REF NO.	PART NO.	DESCRIPTION	QTY	REF NO.	PART NO.	DESCRIPTION	QTY
1	245893‡	<b>MOTOR, 120 Vac</b>	1	62	162453	NIPPLE, 1/4 npt(m) x 1/4 npsm	1
2	115525	BLADE, fan motor	1	63	245221	FRAME, stand mount	1
3	243219	<b>GEAR, combination</b>	1	65	195177	HOLDER, suction tube	2
7	243218	<b>CRANK SHAFT</b>	1	67	107310	PLUG, tubing	4
9	243221	<b>CONNECTING ROD</b>	1	68	115506	SCREW, slot hd, hex, washer hd	1
		includes 9a and 9b		69	195425	HANDLE, sprayer	1
9a	195175	PIN, pump	1	70	100016	WASHER, lock	1
9b	195512	RETAINER, pin	1	71	116139	GRIP, handle	1
10	243220	<b>DRIVE HOUSING</b>	1	74	243217	SHROUD, motor	1
		includes 10a and 10b				includes 18, 126, 127	
10a	195099	COVER	1	75	195503	VENT, side	1
10b	115492	SCREW	2	77	115509	SCREW, mach, pnhd, self-drill	2
12	195150	NUT, jam, pump	1	78	244353	HOSE, suction, flexible	1
13	246426	<b>PUMP</b>	1	82	235004	STRAINER	1
		Manual 309053		84	244240	HOSE, drain, includes 85, 86	1
18	115492	SCREW, mach slot hex, washer hd	4	85	241920	DEFLECTOR, threaded	1
19	241926	HOSE, coupled, high pressure	1	86	276888	CLIP, spring	1
22	115495	SCREW, slot hd, hex, washer hd	8	87	114958	STRAP, tie	1
45	15E180	HOUSING, filter	1	92	206994	FLUID, TSL, 8 oz	1
46	15E288	INSERT, filter	1	112	246230	GUN, Contractor FTx II, 515 RAC® X tip	1
47	104361	O-RING	1			Manual 309639	
48	243080	FILTER, fluid, 60 mesh	1	113	240794	HOSE, coupled, 1/4 in. x 50 ft (15 m)	1
49	15E289	CAP, filter	1	114	195811	LABEL, instruction	1
53	111699	GASKET, seat, valve	1	126	195833▲	LABEL, WARNING	1
55	187615	VALVE, seat	1	127	195838▲	LABEL, DANGER	1
56	235014	ASSY, drain valve	1	128	115491	WIPER, rod	1
		includes 53 and 55					
57	224807	ASSY, cam, drain valve	1				
58	111600	PIN, grooved	1				
59	187625	HANDLE, valve, drain	1				
61	15E539	NIPPLE, 1/4 nps(m) x 1/8 npt	1				

▲Extra Danger and Warning tags and labels available free.

‡ Motor Brush Kit 245894 is available

# Parts Drawing – Sprayer

ST 234127, Series A & B  
STX 234126, Series A & B

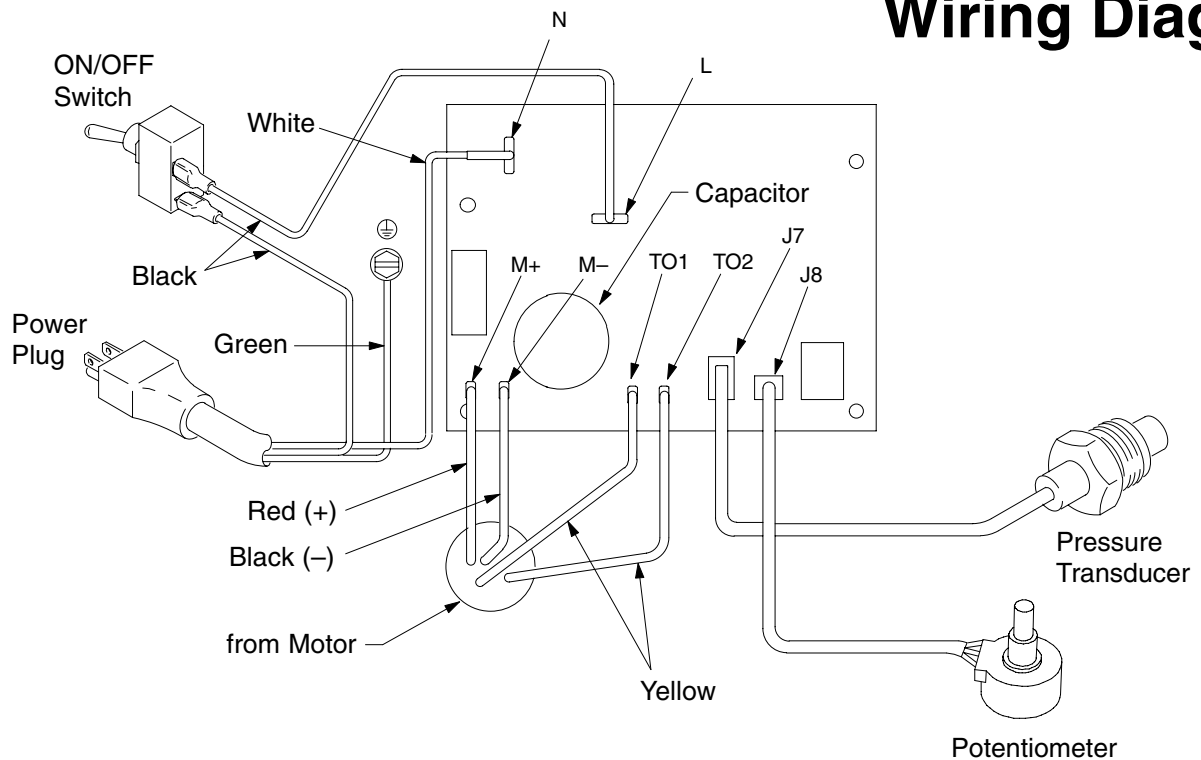


# Parts List – Sprayer

ST 234127  
STX 234126

REF NO.	PART NO.	DESCRIPTION	QTY	REF NO.	PART NO.	DESCRIPTION	QTY
18	115492	SCREW, slot hd, hex, washer hd	4	34	115498	SCREW, slot hd, hex, washer hd	1
21	276539	HOUSING, control	1	35	245892	BOARD, control	1
22	115495	SCREW, slot hd, hex, washer hd	5	36	115494	SCREW, 6-32 X 1/2, TAPTITE	5
23	195429	SWITCH, toggle	1	37	115756	BUSHING, strain relief	1
24	105658	RING, locking	1	39		COVER, control	
25	195428	BOOT, toggle	1		195147	STX	1
26	236352	POTENTIOMETER, adjust, pressure	1		15B790	ST	1
27	116167	KNOB, potentiometer	1	51	111457	O-RING	1
28	195423	GROMMET, transducer	1	52	243222	TRANSUDCER, pressure control includes 51	1
29	241729	CORD SET, power	1	60	195866	WIRE, jumper	1
30	114421	BUSHING, strain relief	1	109	15B792	LABEL, cover, STX (no label for ST)	1
32	193072	LABEL, control	1				
33	112382	NUT, shaft, sealing	1				

## Wiring Diagram



ti2159a

Fig. 1

**TO PLACE AN ORDER OR FOR SERVICE,**  
contact your Graco distributor, or call 1-800-690-2894 to identify the nearest distributor.

*All written and visual data contained in this document reflects the latest product information available at the time of publication.  
Graco reserves the right to make changes at any time without notice.*

**Sales Office:** Minneapolis  
**International Offices:** Belgium, Korea, Hong Kong, Japan

**GRACO INC. P.O. BOX 1441 MINNEAPOLIS, MN 55440-1441**

**[www.graco.com](http://www.graco.com)**

PRINTED IN USA 309715 12/2002, Revised 11/2004