

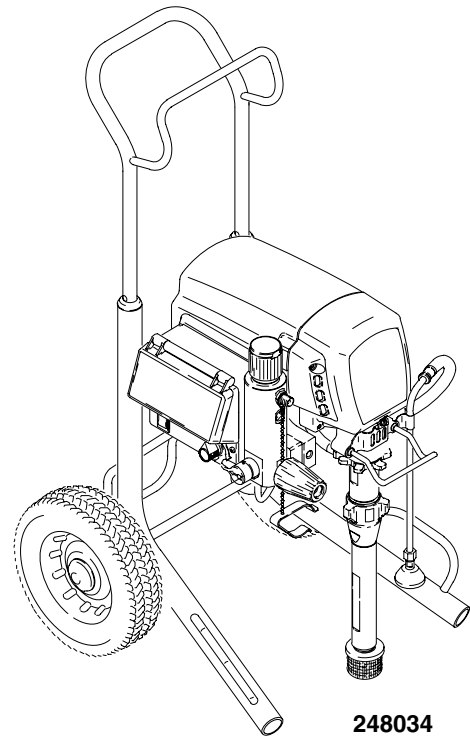
Ultra Max II 1095/1595™

309944B

3300 psi (228 bar, 22.8 MPa) Maximum Working Pressure

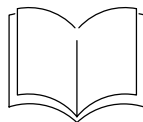
120 VAC

Ultra Max II	Series	Hi-boy
1095 Standard	A	248039
1095 Premium	A	248034
1595 Standard	A	248040
1595 Premium	A	248035



248034

Related manuals



..... 309935



..... 309639



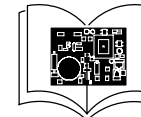
..... 309941



..... 310643



..... 309640

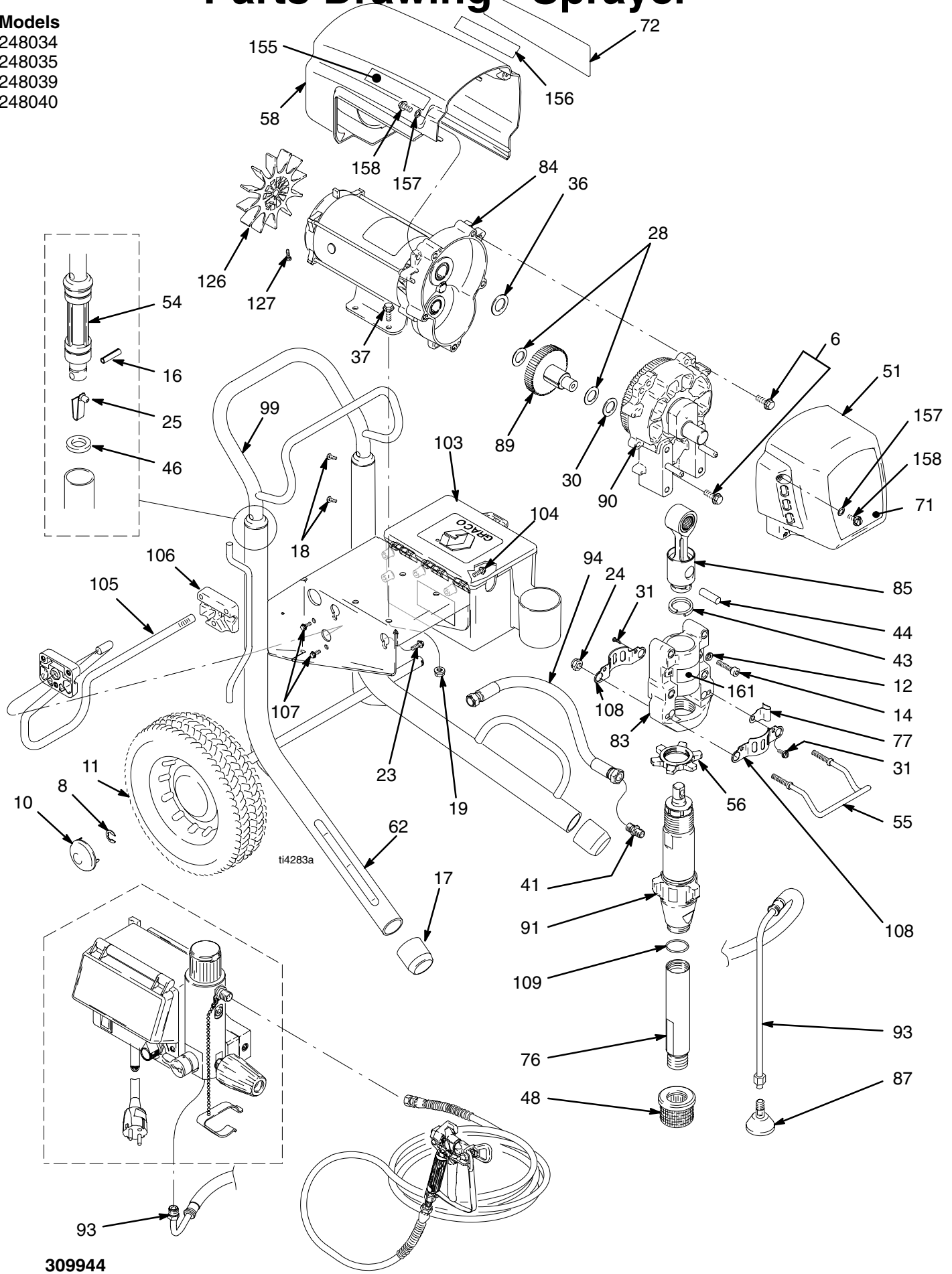


..... 309709

PROVEN QUALITY. LEADING TECHNOLOGY.

Parts Drawing - Sprayer

Models
248034
248035
248039
248040



Parts List - Sprayer

Ultra Max 1095: 248034, A; 248039, A

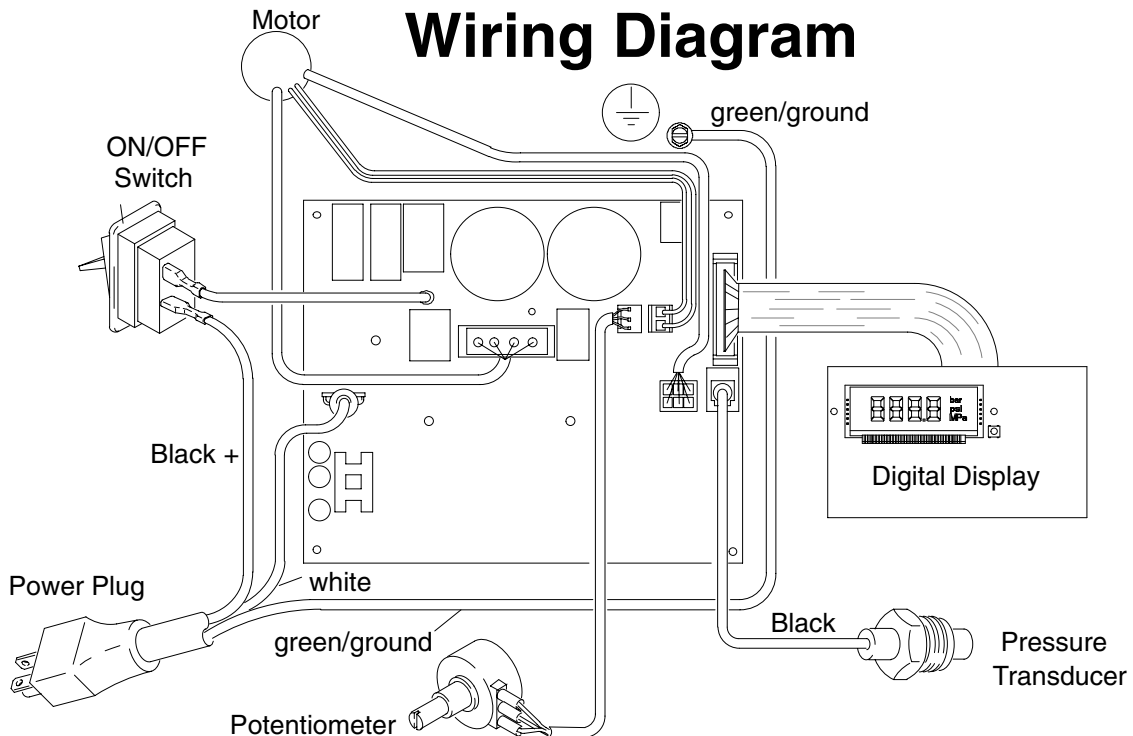
Ultra Max 1595: 248035, A; 248040, A

Ref .	Part No.	Description	Qty	Ref	Part No.	Description	Qty
6	15C753	SCREW, mach, torx, hex wash hd	5	83	241015	HOUSING, bearing; includes 24, 55	1
8	101242	RING, retaining, ext.	2	84		MOTOR, electric; includes 126, 127	
10	104811	CAP, hub	2		287199	1095	1
11	179811	WHEEL, semi pneumatic	2		287200	1595	1
12	106115	WASHER, lock spring (hi-collar)	4	85	241279	ROD, connecting; includes 43	1
14	114666	SCREW, cap, socket hd	4	87	241920	DEFLECTOR, threaded	1
16	108068	PIN, spring straight	2	89	287290	GEAR, combination; includes 28, 30	1
17	276974	CAP, leg	2	90		HOUSING, drive; includes 6, 36	
18	108795	SCREW, mach, pnh	4		287294	1095	1
19	110996	NUT, hex, flanged	4		287295	1595	1
23	110963	SCREW, cap, flng hd	2	91	248205	PUMP, displacement	1
24	112746	NUT, hex	2			Manual 310643	
25	112827	BUTTON, snap	2	93	248217	HOSE, coupled; includes 87	1
28	114672	WASHER, thrust	2	94	15D360	HOSE	1
30	114699	WASHER, thrust	1	99	245245	HANDLE, cart	1
31	118444	SCREW, mach hex washer head	4	103†	287253	TOOL BOX; includes 104	1
36	116192	WASHER, thrust	1	104†	118852	SCREW, hex washer hd	3
37	100057	SCREW, hex hd	4	105	15C858	HANGER, stand, cart	1
41	162485	NIPPLE, (3/8 npsm x 3/8 npt)	1	106	15C982	CAM, cart	2
43	183169	SPRING, retaining	1	107	110997	SCREW, flange, hex	4
44	183210	PIN, str, hdls	1	108	15C762	SHIELD, pump rod	2
46	183350	WASHER	2	109	118494	O-RING	1
48	189920	STRAINER, (1-11 1/2 npsm)	1	126	15D088	FAN, motor	1
51	287292	COVER, drive, painted	1	127	115477	SCREW, mach, torx pan hd	1
		includes 157, 158		128▲	222385	TAG, WARNING (not shown)	1
54	191084	SLEEVE, cart	2	129†	240794	HOSE, cpld, 1/4 in. x 50 ft	1
55	192719	HANGER, paiL	1	130†	246220	GUN, Contractor	1
56	193031	NUT, retaining	1			Manual 309640	
58	287282	SHIELD, motor, painted;	1	155		LABEL, model, left	
		includes 157, 158			15D722	Premium	1
62	287207	FRAME, cart	1		15D724	Standard	1
71		LABEL, front		156		LABEL, model, right	
	15D071	1095	1		15D721	Premium	1
	15D074	1595	1		15D723	Standard	1
72		LABEL, side		157	276980	GROMMET	6
	15D072	1095	1	158	119250	SCREW, shoulder	6
	15D075	1595	1	161	187437	LABEL, torque	1
76	248215	TUBE, intake; includes 109	1	▲	<i>Extra Danger and Warning tags and labels available free.</i>		
77	197124	CLIP, spring	1	†	<i>Premium sprayers</i>		
79	206994	FLUID, TSL, 8 oz (not shown)	1				

Parts List - Sprayer

Ultra Max II 1095/1595

REF NO.	PART NO.	DESCRIPTION	QTY	REF NO.	PART NO.	DESCRIPTION	QTY
7	100721	PLUG, pipe	1	67	15C838	BASE, filter	1
9	117285	O-RING	1	68	15C947	PANEL, control	1
13	C19817	SCREW, cap, socket hd	3	69	15C840	PLATE, power bar	1
15	107505	O-RING	2	70	15D036	GASKET, control box	1
20	111457	O-RING	1	73	248314	PLUG, AutoClean (Standard) includes 125	1
21	15C972	PIN, grooved	1	74	15C766	TUBE, diffusion	1
22	111699	GASKET, seat, valve	1	75	15D029	CORD, power	1
23	110963	SCREW, cap, flg hd	2	80	235014	VALVE, drain; includes 22, 49	1
26	114391	SCREW, grounding	1	81	224807	BASE, valve	1
27	113045	SCREW, sems, mach, phil truss	5	82	236352	POTENTIOMETR, adj, pressure	1
29	15D087	GROMMET	1	86	243222	TRANSDUCER, press ctrl; includes 20 FILTER, fluid	1
33	15C979	SWITCH, rocker	1	92			
34	116167	KNOB, potentiometer	1		244071	30 mesh	1
35	105510	WASHER, lock, spring (hi-collar)	3		244067	60 mesh	1
38	116252	SCREW, #8 taptite phil	4		244068	100 mesh	1
39	112381	SCREW, mach, pan hd	4		244069	200 mesh	1
40	15D033	GROMMET, transducer	1	95		CONTROL, bd, 120V; includes 27, 102 1095	1
42	164672	ADAPTER	2		287246	1595	1
45	181740	CAP	1		287247		1
47	186620	LABEL, symbol, ground	1	96		COVER, control Standard	1
49	187615	SEAT, valve	1		197293	Premium; includes 38, 63, 64, 65	1
50	15C780	HANDLE, valve, drain	1		287286	VALVE, AutoClean; includes 97a	1
52	190110	SPRING, retaining	1	97	287293	GASKET	1
57	192896	STEM, plug, packless	1	97a	115524	KIT, repair, clamp, trigger	1
59▲	15D523	LABEL, DANGER	1	101	15D160	STUD, board	5
60▲	195833	LABEL, WARNING	1	102	114420	SCREW, mach, pnh, sems	3
61	15C854	BOX, control	1	113	15C839	SPACER, filter, base	1
63	198648	LABEL, LCD (Premium)	1	115	15C973	GASKET	1
64	15D063	LABEL, instructions (Premium)	1	118	118896	FITTING, elbow, hydraulic	1
65		LABEL, cover, control box	1	125	15D541	GASKET (Standard)	1
	196670	Premium	1	154	115478	SCREW, Torx, pan hd	1
	15D609	Standard	1				
66	287285	CAP, filter; includes 9, 74	1				



TO PLACE AN ORDER OR FOR SERVICE, contact your Graco distributor, or call this number to identify the distributor near you: **1-800-690-2894 Toll Free**

All written and visual data contained in this document reflects the latest product information available at the time of publication. Graco reserves the right to make changes at any time without notice.

Sales Offices: Minneapolis, Detroit

International Offices: Belgium, Korea, Hong Kong, Japan

GRACO INC. P.O. BOX 1441 MINNEAPOLIS, MN 55440-1441

<http://www.graco.com>

PRINTED IN USA 309944 3/2004, Revised 3/2004