

RTX 1500 Auxiliary Air Kit

310694D

EN

Model 287328

- Allows use of external air supply for greater air atomization at spray gun
- Bypasses RTX internal air supply
- Requires air supply minimum of 10 cfm @ 100 psi

Patent Pending

125 psi (0.7 MPa, 6.9 bar) Maximum Working Pressure

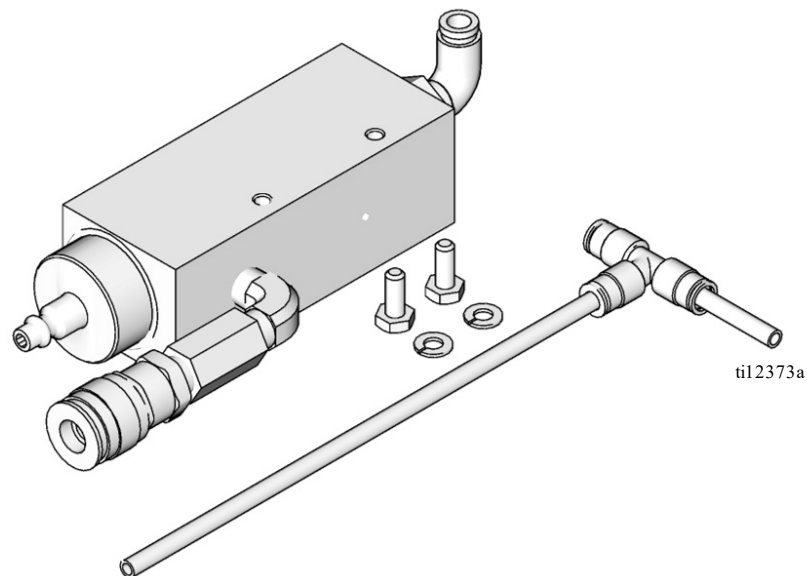


Important Safety Instructions

Read all warnings and instructions in the RTX Sprayer operation manual. Save these instructions.

CAUTION

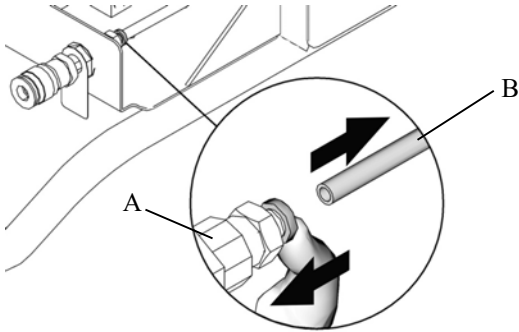
- Connecting external air supply in any manner other than following these instructions can damage sprayer.
- Use clean, regulated external air supply.



Installation and Operation

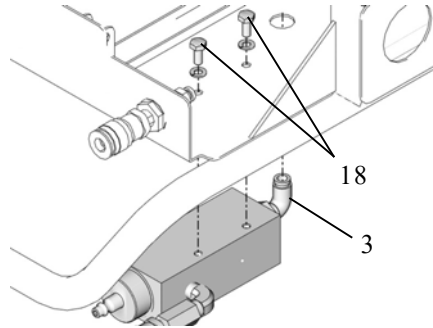
Installation

1. Remove hopper and front shroud (see manual 310645).
2. Install valve.
3. Push fitting ring (A) and disconnect air line (B).

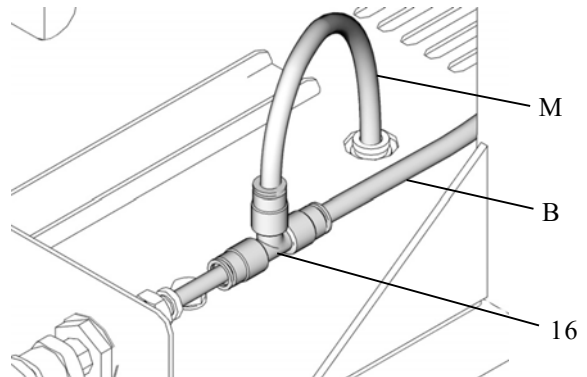


4. Cut off 2 in. of air line (B) to avoid contact with moving parts.

5. Align elbow fitting (3) with hole on sprayer frame and mount auxiliary air kit underneath sprayer frame. Tighten two screws (18) to secure in place.



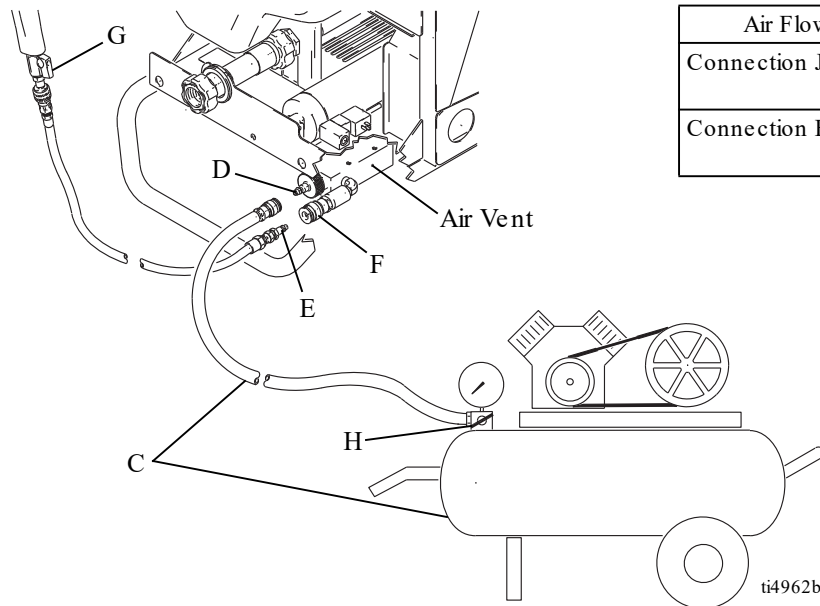
6. Connect air line (B) to TEE connector (16) and air compressor. Connect line (M) to elbow fitting (K) and TEE connector (16).



7. Install front shroud and hopper.

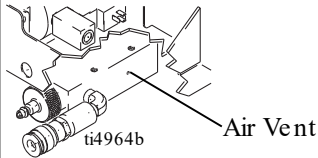
Operation

1. Connect external air supply (C) to male air fitting valve (D).
2. Connect spray gun air line (E) to valve (F).
3. Open spray gun air valve (G) all the way.
4. Pull spray gun trigger and adjust air flow with air pressure regulator (H) (not supplied by Graco) on external air supply.
5. Use spray gun air valve (G) for fine adjustment.



Air Flow (cfm) Operating Range at gun	
Connection J	1 - 6 cfm (no additional air required)
Connection F	5 - 20 cfm (requirement external air supply)

Troubleshooting

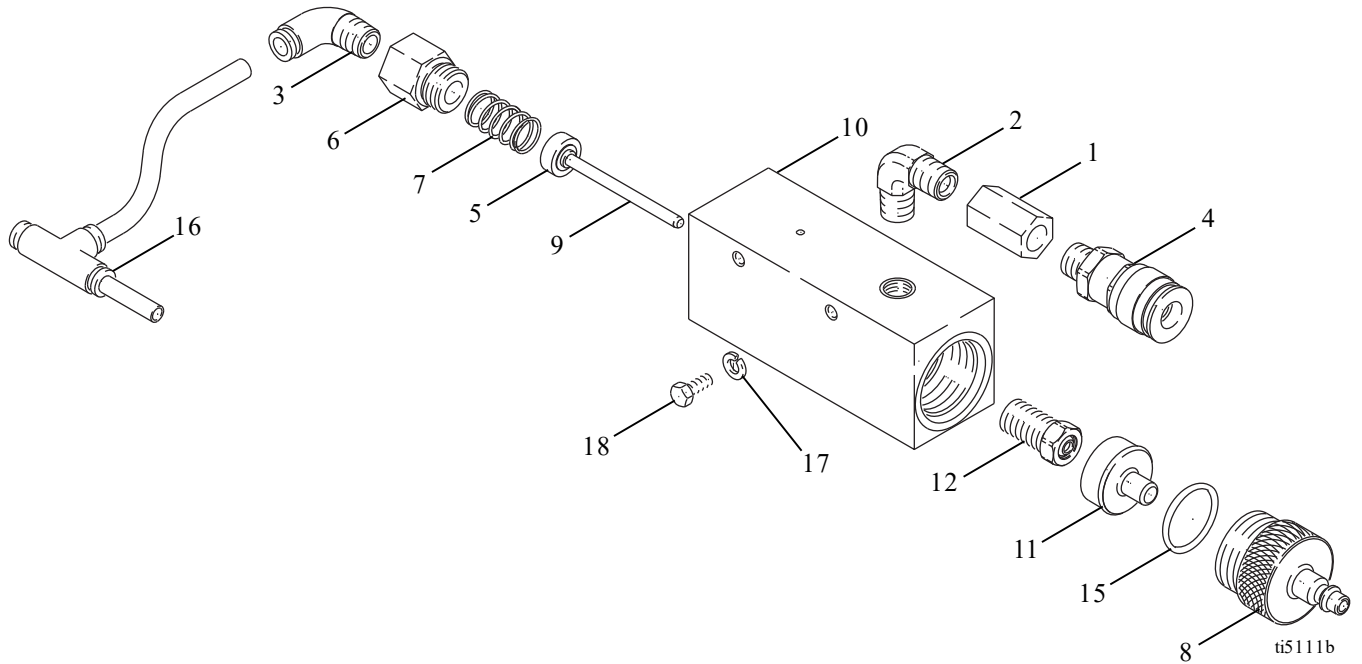
PROBLEM	CAUSE	SOLUTION
Sprayer will not pump material	Gun air valve (G) not open completely	1. Open gun air valve (G). 2. Regulate air flow with air regulator.
	Dirty external air supply	See Maintenance.
	See Manual 310645 for further troubleshooting	Determine cause.
Sprayer will not stop pumping material	Spray gun or air line leaking air when gun trigger is closed	Repair leak.
	 <p>Air is venting when spray gun is shut off</p>	See Maintenance.
Not enough atomization air at spray gun	Compressor not large enough for intended use	1. Open gun air valve (G). 2. Regulate air flow with air regulator (H).
	Plugged gun, air line or valve	Repair or clean as needed.
	Material not appropriate for system	Review material specifications.
	Air lines not properly connected	Connect air lines as shown on page 2.

Maintenance:

Clean valve inlet every 100 hours:

1. Remove fitting (8) and piston valve (11).
2. Rinse out valve (10) with warm water.
3. Install piston valve (11) and fitting (8); hand tighten.

Parts



Ref. Part	Description	Qty.
1	100175 COUPLING, pipe	1
2	110249 ADAPTER, male elbow, 90 degree	1
3	113321 FITTING, elbow tube	1
4	116720 COUPLER, quick-disconnect	1
5	115524 GASKET	1
6	119362 FITTING, bushing	1
7	119373 SPRING, compression	1
8	15E090 FITTING, quick-disconnect, male	1
9	15E127 NEEDLE, valve	1
10	15E128 VALVE	1
11	15E129 PISTON, valve	1
12	17U290 NUT, seal	1
15	110782 o-ring	1
16	15E510 TEE, with air lines	1
17	100016 WASHER, lock	2
18	100270 SCREW, cap, hex hd	2

*All written and visual data contained in this document reflects the latest product information available at the time of publication.
Graco reserves the right to make changes at any time without notice.*

This manual contains English. MM 310694

Graco Headquarters: Minneapolis

International Offices: Belgium, China, Japan, Korea

GRACO INC. P.O. BOX 1441 MINNEAPOLIS, MN 55440-1441

Copyright 2008, Graco Inc. is registered to I.S. EN ISO 9001

www.graco.com

Revision D, 11/2018