



Filter

Models: 249056

311012B


 **WARNING**


 **ELECTRIC SHOCK HAZARD**

Improper grounding, setup, or usage of the system can cause electric shock.

- Turn off and disconnect power cord before servicing equipment.
- Use only grounded electrical outlets.
- Use only 3-wire extension cords.
- Ensure ground prongs are intact on sprayer and extension cords.

Pressure Relief Procedure

 **WARNING**

Follow this **Pressure Relief Procedure** whenever you are instructed to relieve pressure, stop spraying, check or service equipment or install or clean spray tip. Read **Injection Hazard Warning**.

1. Turn OFF power and turn pressure control to lowest pressure setting.
2. Hold gun against side of grounded metal flushing pail. Trigger gun to relieve pressure.
3. Turn prime valve down.

If you suspect the spray tip or hose is clogged or that pressure has not been fully relieved after following the steps above, VERY SLOWLY loosen tip guard retaining nut or hose end coupling to relieve pressure gradually, then loosen completely. Clear hose or tip obstruction.

4. Engage trigger safety lock on gun if unit is being shut down or left unattended.

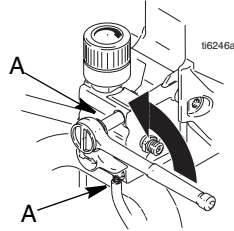


Additional Warnings and Instructions are provided in manual 310824.

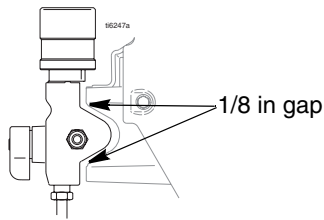
PROVEN QUALITY. LEADING TECHNOLOGY.

Installation

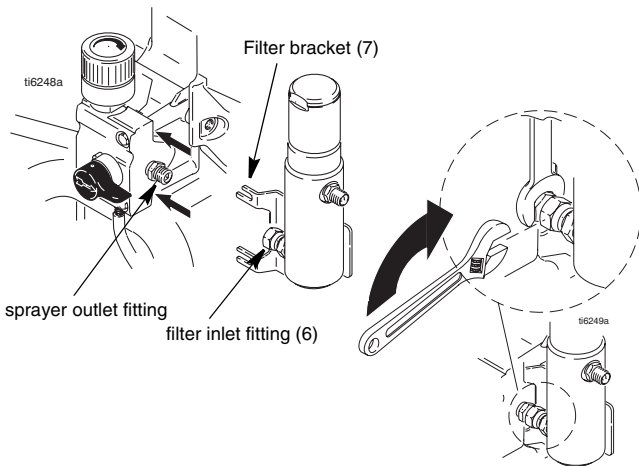
1. **Relieve pressure**, page 1. Disconnect power cord from outlet.
2. Loosen (approximately 3-4 turns), **BUT DO NOT REMOVE**, 2 bolts (A) on manifold.



3. Gently pull the manifold housing away from the sprayer body, to create a gap approximately 1/8 in. (.32 cm) wide.

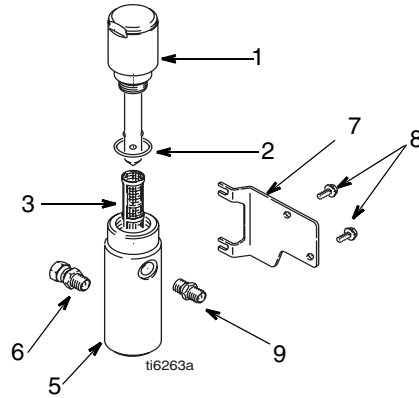


4. Insert bracket (7) into 1/8 in. (.32 cm) gap opening between manifold and sprayer. Connect outlet fitting on sprayer to inlet fitting (6) on filter. Tighten fitting between sprayer and filter first, using a wrench to hold the sprayer fitting securely and a second wrench to tighten filter fitting.



5. Then, tighten 2 bolts (A) on manifold. Torque to 150 in-lbs (17 N.m).

Parts



Item	Description	Qty
1	287167 CAP, manifold	1
2	117828 PACKING, o-ring	1
3	246384 FILTER, fluid, 60 mesh (standard)	1
	246382 FILTER, fluid, 100 mesh (optional)	1
	246383 FILTER, fluid, 200 mesh (optional)	1
	246425 FILTER, fluid, 30 mesh (optional)	1
5	15F058 MANIFOLD, filter	1
6	156823 UNION, swivel	1
7	15F059 BRACKET, manifold, filter	1
8	110997 SCREW, machine	2
9	162453 FITTING, 1/4 npsm, 1/4 npt	1

All written and visual data contained in this document reflects the latest product information available at the time of publication. Graco reserves the right to make changes at any time without notice.

Graco Headquarters: Minneapolis

International Offices: Belgium, China, Japan, Korea

GRACO INC. P.O. BOX 1441 MINNEAPOLIS, MN 55440-1441

www.graco.com

Printed in USA 311012

1/2005, Revised 1/2005