

Installation



Line Guide Kits

LineLazer™

3500, 5000, 3900, 5900 & 200HS

311067C

– For application of line striping materials –

3300 psi (228 bar, 22.8 MPa) Maximum Working Pressure



Important Safety Instructions

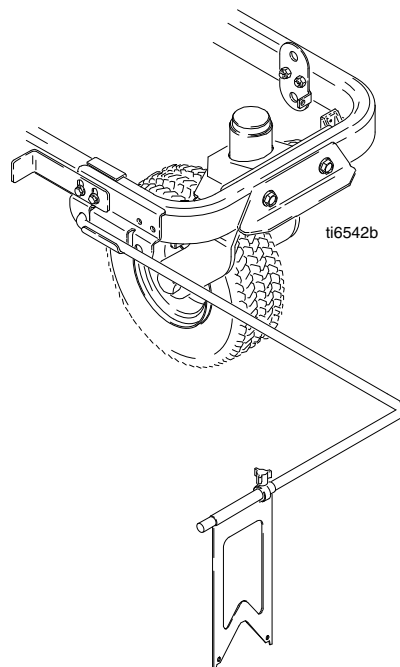
Read all warnings and instructions in this manual. Save these instructions.

Model 277062, Series A

Short, for parking lot striping and road striping

Model 277063, Series A

Long, for road striping only



PROVEN QUALITY. LEADING TECHNOLOGY.

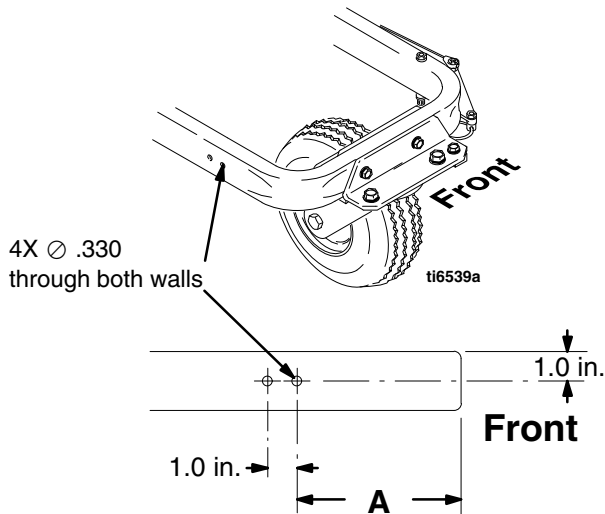
GRACO INC. P.O. BOX 1441 MINNEAPOLIS, MN 55440-1441
Copyright 2005, Graco Inc. is registered to I.S. EN ISO 9001



Installation

NOTE: Step 1 applies to LineLazer 3500 & 5000 only.

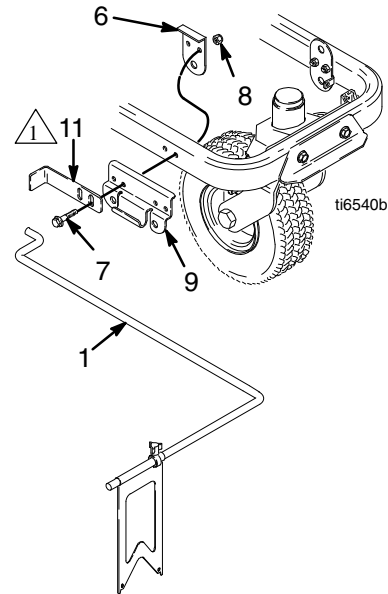
1. Drill two holes in side of frame to which pointer will be attached, as shown in Fig. 1.



A = 6.55 in. — LineLazer 3500 & 5000 (must be drilled)
 A = 5.55 in. — LineLazer 3900, 5900, 200HS (already drilled)

Fig. 1

2. Fig. 2. Slide outside bracket (9) onto rod (1). Slide inside bracket (6) onto rod.



 Used on LineLazer IV 200HS without Bread Dispenser

Fig. 2

NOTE: Steps 3 and 4 apply to all LineLazers.

3. Locate brackets on frame so bracket holes align with frame holes and bracket flanges rest on top of frame and rod sits below.
4. Fasten brackets with two flange screws (7) and two lock nuts (8).

Operation

For new stripes:

The dual-point guide allows for line placement on the same side of the layout string or chalk, traveling in either direction. Center the pointer on the center of the paint guns when painting. Alternate between points for each direction you travel.

- Put the line guide in the down position for painting, as shown below.
- When not painting, swing the line guide up to the storage position.
- Attach tie straps through small holes of indicator (2) for a drag-type indicator.

Parts Drawing / List

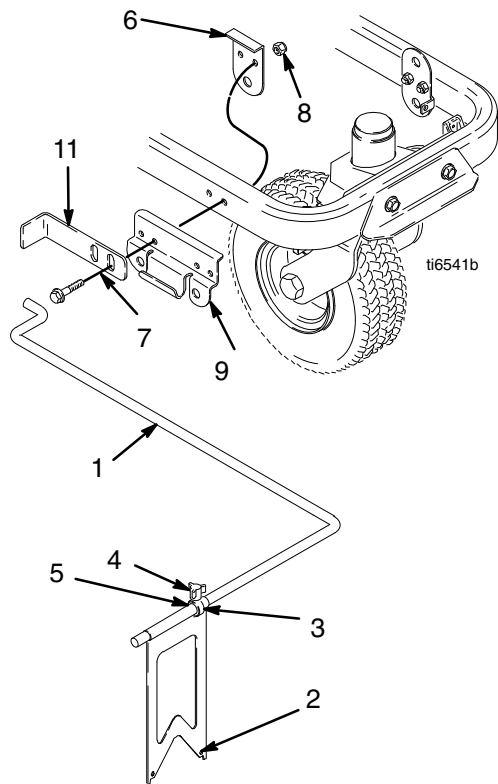
Line Guide Model 277062, Series A

Short, for parking lot striping and road striping

Line Guide Model 277063, Series A

Long, for road striping only

Ref No.	Part No.	Description	Qty
1	15F348	. ROD (used on 277062)	1
	15F350	. ROD (used on 277063)	1
2	15F352	. INDICATOR	1
3	114685	. COLLAR, setscrew	1
4	114966	. KNOB, pronged	1
5	114965	. WASHER, spring, wave	1
6	193666	. BRACKET	1
7	110837	. SCREW, flange, hex	2
8	111040	. NUT, lock, nylock	2
9	15F912	. BRACKET, pointer	1
11	15G524	. BRACKET, stop, pointer	1



*All written and visual data contained in this document reflects the latest product information available at the time of publication.
Graco reserves the right to make changes at any time without notice.*

Graco Headquarters: Minneapolis
International Offices: Belgium, Korea, China, Japan

GRACO INC. P.O. BOX 1441 MINNEAPOLIS, MN 55440-1441

www.graco.com

PRINTED IN USA 8/2005, Rev 1/2008