

2-Quart (1.9 Liter) Pressure Pot

311359H
EN



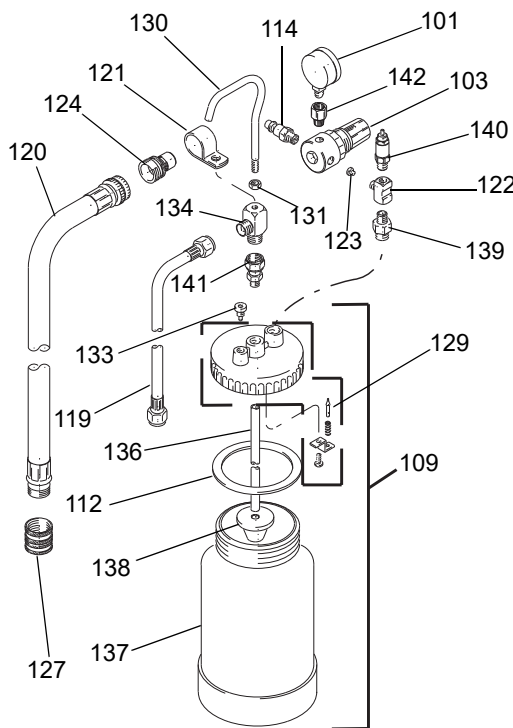
Important Safety Instructions

Read all warnings and instructions in this manual.
Save these instructions.

50 psi (345 kPa, 3.5 bar) Maximum Inlet Air Pressure

2-quart (1.9 liter) capacity, aluminum cup. Includes air pressure regulator, gauge, pressure relief valve, and rigid hook handle.

Part 287819



Ref	Part	Description	Qty
101	104655	PRESSURE GAUGE	1
103	104815	PRESSURE REGULATOR	1
109	287818	POT, with lid, 2 quart (1.9 liter), aluminum	1
112	120132	GASKET, polyethylene	1
	287821	GASKET KIT 5-pack	1
114	169969	FITTING	1
119	240474	HOSE, fluid; 60 in. long; 1/4 in. ID	1
120	240482	HOSE, air; 54 in. (1.37 m) long	1
121	M70854	HOSE CLAMP	1
122	110440	FITTING TEE	1
123	189557	RESTRICTOR	1
124	M70399	QUICK DISCONNECT, male	1
127	M70402	QUICK DISCONNECT	1
129	287820	VALVE KIT, check repair	1
130	120130	HANDLE	1
131	120129	NUT, handle	1
133	120127	VALVE, pressure release	1
134	120128	FITTING, outlet	1
136	120125	TUBE, fluid	1
137	120126	CUP, 2-quart	1
138	193218	STRAINER	1
139	120131	FITTING, inlet	1
140	120133	VALVE, pressure relief	1
141	120122	FITTING, post, center	1
142	15X483	FITTING, pressure	1



WARNING!

Do not use 1,1,1-trichloroethane, methylene chloride, other halogenated hydrocarbon solvents, or fluids containing such solvents in the turbine spray system, which contains aluminum and/or galvanized-coated parts. Such use could result in a serious chemical reaction, with the possibility of explosion, which could cause death, serious injury, and/or substantial property damage.

Graco Phone Number

TO PLACE AN ORDER, call **1-800-690-2894** to identify the nearest Graco distributor.

All written and visual data contained in this document reflects the latest product information available at the time of publication. Graco reserves the right to make changes at any time without notice.

Original instructions. This manual contains English. MM 311359

Graco Headquarters: Minneapolis
International Offices: Belgium, China, Korea, Japan

GRACO INC. P.O. BOX 1441 MINNEAPOLIS, MN 55440-1441
Copyright 2010, Graco Inc. is registered to ISO 9001
<http://www.graco.com>
11/2005, Revised 11/2018