

# GH833 Gauge Kit

311487B

## - Use with GH833 Sprayers-




4000 psi (27.6 MPa, 275.8 bar) Maximum Working Pressure



**Important Safety Instructions.** Read all warnings and instructions in this manual. Save these instructions.

**Model: 288097**

## Pressure Relief Procedure

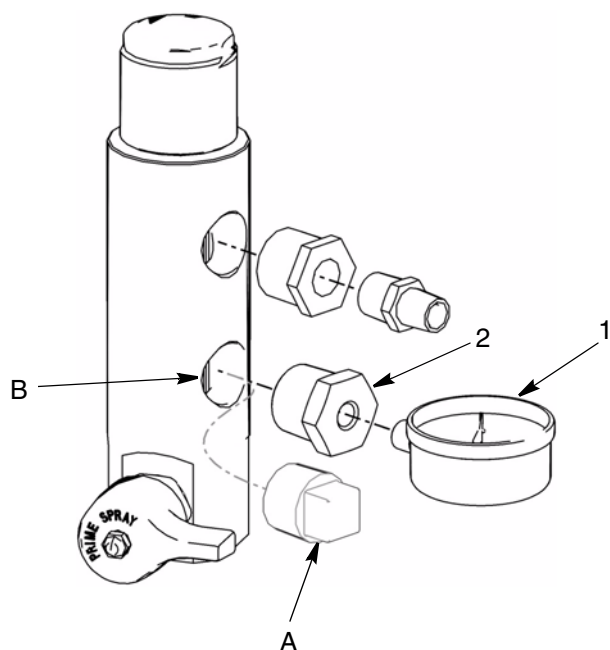
						
<p>System pressure must be manually relieved to prevent it from starting or spraying accidentally. Fluid under high pressure can be injected into the skin and cause serious injury. To reduce risk of injury from injection, follow this procedure whenever you are instructed to relieve pressure, stop spraying, service equipment or install or clean spray tip. Read warnings, in operation manual.</p>						

- 1 Set pump valve OFF. Turn engine OFF.
- 2 Turn pressure to lowest setting. Trigger gun into pail to relieve pressure.
- 3 Open prime valve (vertical).

*If you suspect that the spray tip or hose is completely clogged, or that pressure has not been fully relieved after following the steps above, VERY SLOWLY, loosen tip guard retaining nut or hose end coupling to relieve pressure gradually, then loosen completely. Then clean tip and hose.*

PROVEN QUALITY. LEADING TECHNOLOGY.

# Parts Drawing



Ref No.	Part No.	Description	Qty
1	102814	GAUGE, fluid pressure	1
2	119969	BUSHING, pipe	1
3	119400	SEALANT (not shown)	1

## Installation

1. Follow **Pressure Relief** on page 1.
2. Remove pipe plug (A).
3. Apply pipe sealant (3) to bushing (2) and screw into fluid filter (B).
4. Apply pipe sealant (3) to threaded end of gauge (1) and screw into bushing (2).

## Maintenance

Gauge cannot be repaired, replace if damaged.

*All written and visual data contained in this document reflects the latest product information available at the time of publication. Graco reserves the right to make changes at any time without notice.*

MM 311487

**Graco Headquarters:** Minneapolis

**International Offices:** Belgium, China, Japan, Korea

**GRACO INC. P.O. BOX 1441 MINNEAPOLIS, MN 55440-1441**

www.graco.com

Printed in USA 311487

Rev. 9/2007