

Ram Uni-Drum Lock-Out Safety

311507C

EN

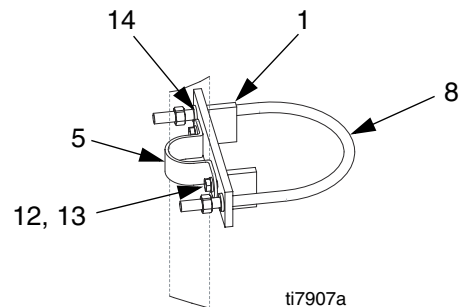
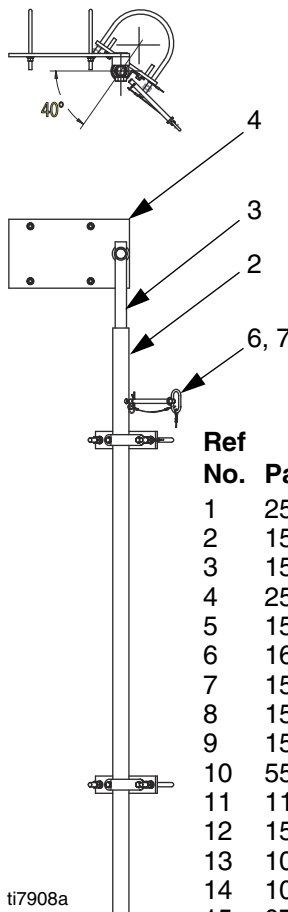
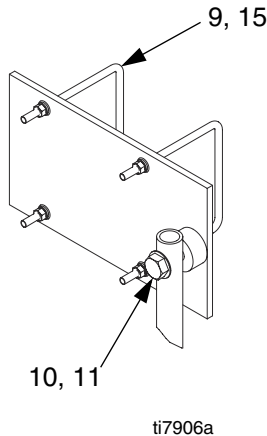
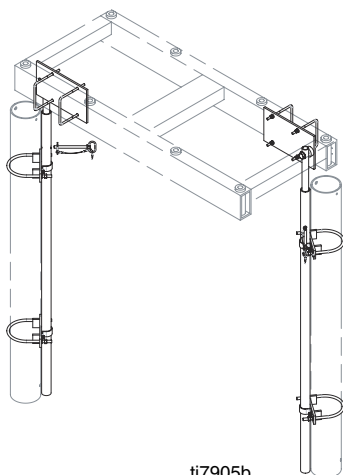
Prevents ram from lowering due to loss of air pressure when in the fully raised position.

Part No. 120163



Important Safety Instructions

Read all warnings and instructions in manual 310523. Save these instructions.

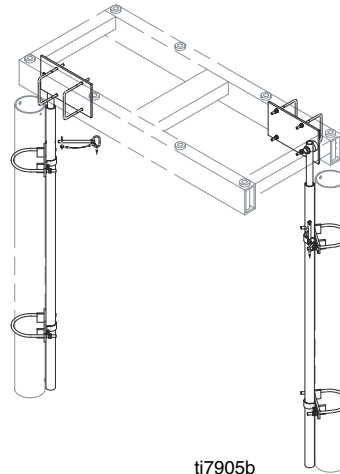


Ref

| Ref No. | Part No. | Description | Qty. |
|---------|----------|--|------|
| 1 | 253399 | BRACKET, cylinder support, assy | 4 |
| 2 | 15G940 | BAR, outer support, pipe | 2 |
| 3 | 15G941 | BAR, inner support, pipe | 2 |
| 4 | 253416 | BAR, tie bar, assy | 2 |
| 5 | 15G944 | STRAP, pipe, 2 hole, 1.5 in. pipe | 4 |
| 6 | 16Y456 | PIN, hitch, modified | 2 |
| 7 | 15G945 | CABLE, lanyard, 24 in. | 2 |
| 8 | 15G946 | BOLT, U, 1/2 x 8.375 | 4 |
| 9 | 15G947 | BOLT, U, square bend, 3/8 x 7.0 | 4 |
| 10 | 551365 | SCREW, 3/4 in. - 10 x 2 in. hex hd sst | 2 |
| 11 | 115080 | WASHER | 2 |
| 12 | 15D008 | BOLT, 3/8 - 16, 316 sst | 8 |
| 13 | 100133 | WASHER, lock | 8 |
| 14 | 100018 | WASHER, lock, spring | 8 |
| 15 | 070269 | SEALANT, anaerobic | 1 |

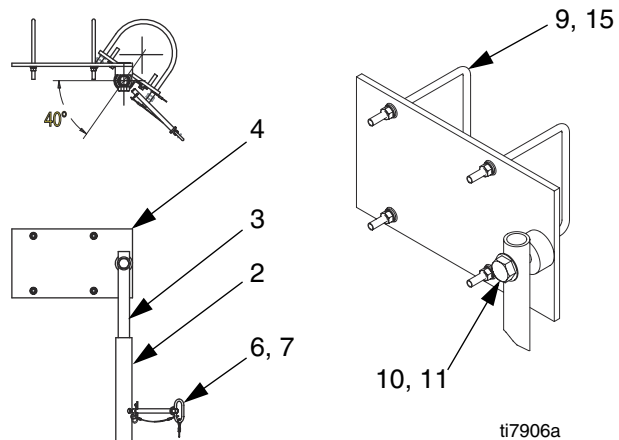
Build Instructions

1. Attach outer pipe support (2) to cylinder support brackets (1) using supplied pipe straps (5) and (12, 13). The pin guide hole in the outer support pipe should be positioned parallel to the cylinder support brackets.
2. Slide inner support bar (3) into outer pipe support (2) and install assembly on to back unidrum cylinders using (1, 8, 14)--assemble to rest on unidrum base plate. Orient outer support pipe approximately 40° from back unidrum cylinder centerline. Note that the pin/lanyard (6, 7) is to be located at top u-bolt. Do not fully tighten hardware--keep loose for adjustment.

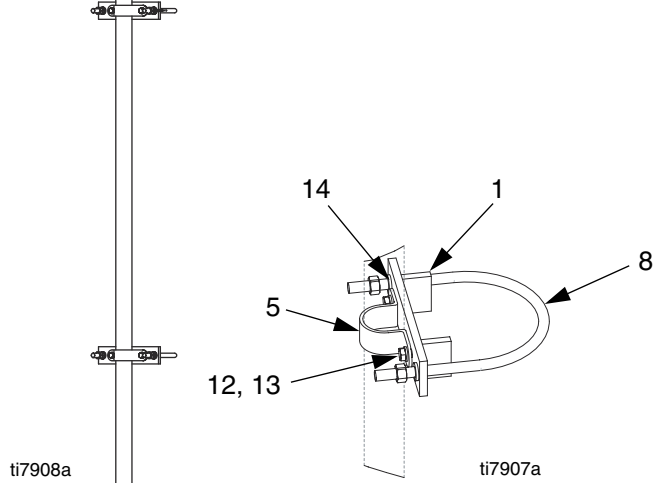


3. With ram in the down position, install right and left tie bar brackets (4) in respective inner back corners of the bar assembly using supplied u-bolts (9). Position the tie bar brackets so that the large bolt in the tie bar bracket is directly over the inner support bar and the outer support pipe (mounted on cylinder). Lift inner support bar up to meet tie bar bracket. Apply sealant (15) to bolt and install bolt (10) and washer (11) until bolt is installed fully into the tie bar bracket.

Note: Inner support bar must be centered into the outer support for proper operation. To assist in the centering or alignment of inner support bar into the outer support pipe, slide the tie bar bracket on the tie bar while rotating the outer support pipe (on unidrum cylinder) until perfect alignment or centering has been achieved. Operate ram up and down to check alignment. Inner support bar should slide freely within the outer support pipe. Fully tighten all hardware to secure assembly.



4. To lock ram in the up position (in full up/hold position) insert pins (6) into outer support pipe and install pin lock clip. Remove pins to place ram back into operation.



All written and visual data contained in this document reflects the latest product information available at the time of publication. Graco reserves the right to make changes at any time without notice.

For patent information, see www.graco.com/patents.

Original instructions. This manual contains English. MM 311507

Graco Headquarters: Minneapolis

International Offices: Belgium, China, Japan, Korea

GRACO INC. AND SUBSIDIARIES • P.O. BOX 1441 • MINNEAPOLIS MN 55440-1441 • USA

Copyright 2004, Graco Inc. All Graco manufacturing locations are registered to ISO 9001

www.graco.com

Revised December 2013