

Pump Mounting Kits

311619D

EN

Mounting kits for pumps powered by NXT[®] Air Motors, XL Air Motors, and Viscount[®] Hydraulic Motors. For professional use only.



Important Safety Instructions

Read all warnings and instructions in this manual and in your separate pump manual before using the equipment. Save these instructions.

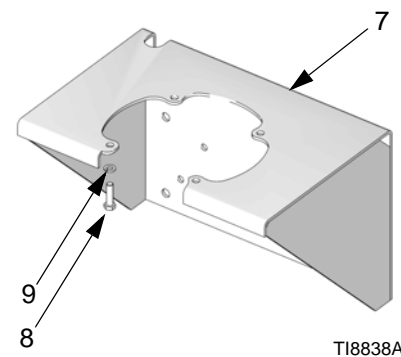
255143 Wall Mounting Kit

Ref. No.	Part No.	Description	Qty.
7		BRACKET, mounting	1
8	100101	SCREW, cap, hex hd	4
9	100133	WASHER, lock	4

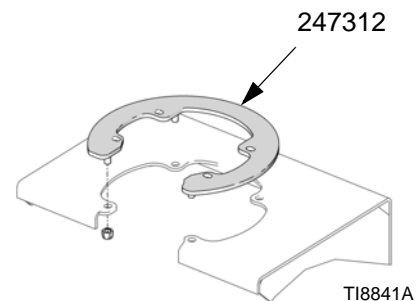
1. Select a solid position on a wall for the mounting bracket (7). Be sure the wall is capable of supporting the pump and accessories that will be attached to the bracket, any additional weight of fluid used in the pump, and any stress or strain that may be applied during pump operation.

NOTE: Approximate weights of the pump and accessories are 82-180 lb (37-82 kg). Consult your pump manual for actual pump weights.

2. Ensure that the mounting location has sufficient clearance for easy operator access.
3. Position the wall bracket at a convenient height, ensuring that there is sufficient clearance for the fluid connections and for servicing the lower. Consult your pump manual for pump dimensions.



NOTE: Adapter plate 247312 is required to mount an NXT 2200 air motor to the bracket. Order separately.

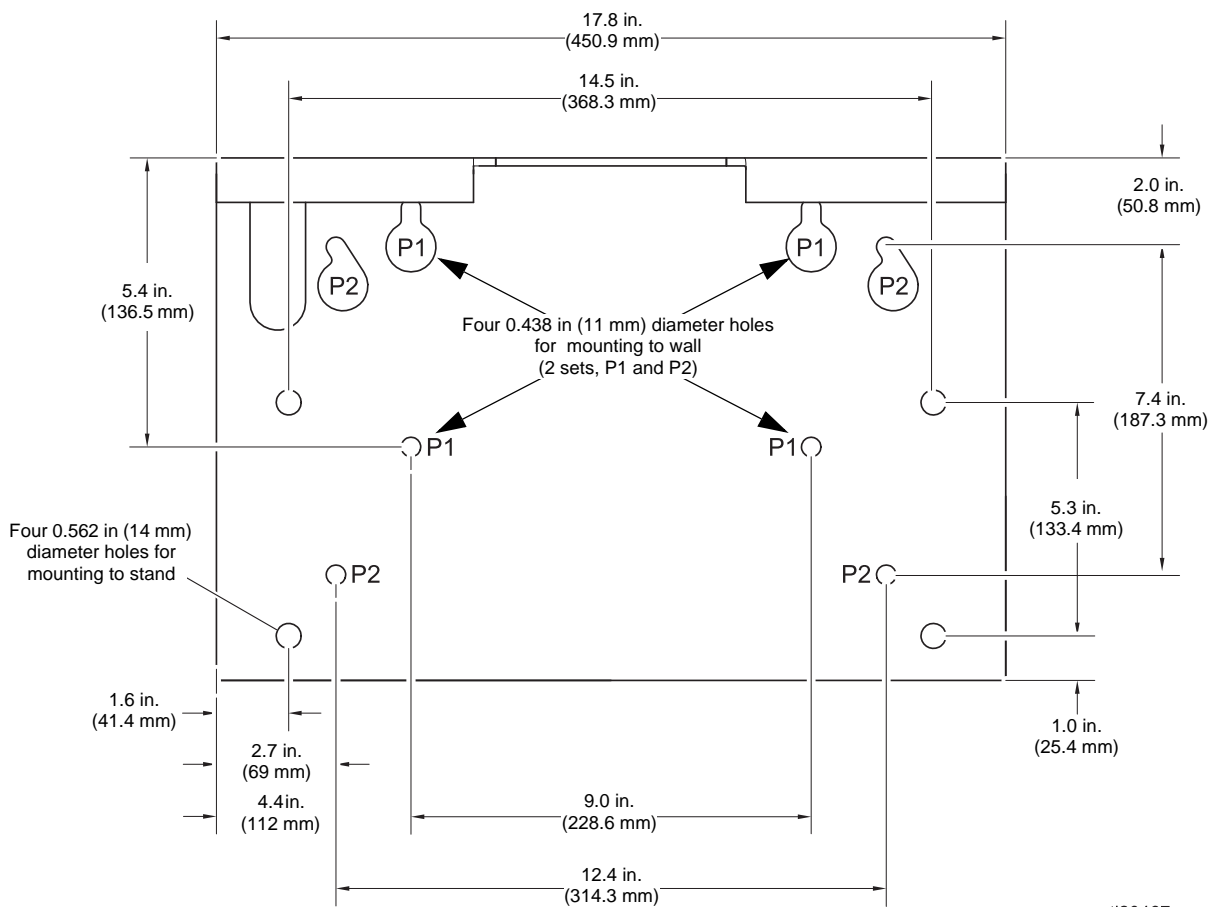


4. Drill four 7/16 in. (11 mm) holes using the bracket as a template. Use hole groups P1 or P2. (See **Wall Bracket Mounting Hole Diagram**, page 2.)
5. Bolt the bracket securely to the wall using bolts and washers designed to hold in the wall's construction.
6. Place the pump and accessories over the bracket's mounting holes and secure with screws (8) and washers (9) supplied.

Wall Bracket Mounting Hole Diagram

NOTE: The wall mount bracket has three sets of four holes.

- The inner set of holes (P1) matches an existing hole pattern used for a President wall bracket.
- The middle set matches existing Graco wall mounts.
- The outer set is for mounting the bracket to the floor stand.



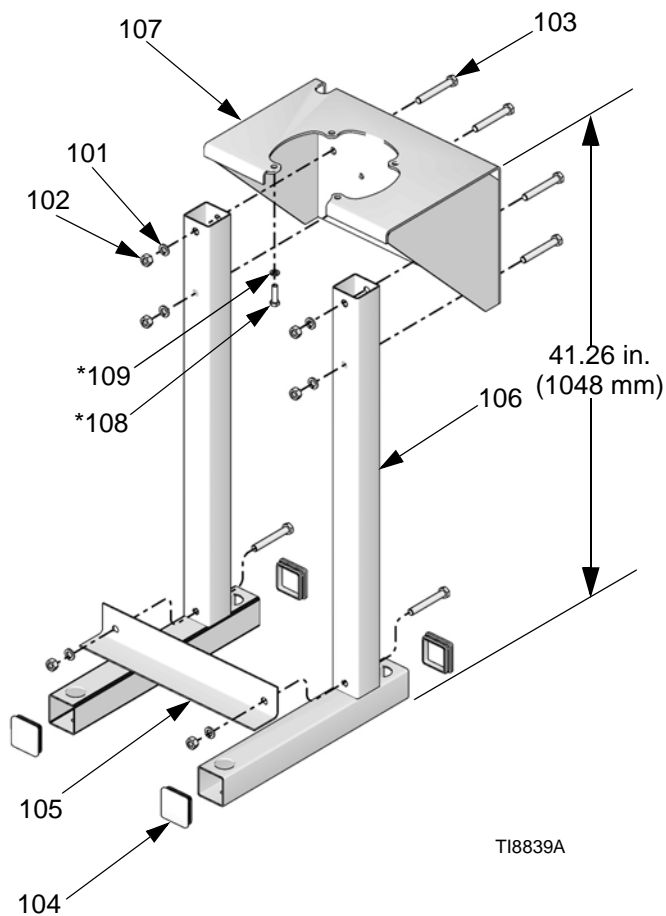
ti20467a

253692 Floor Stand Kit (includes items 1-9)

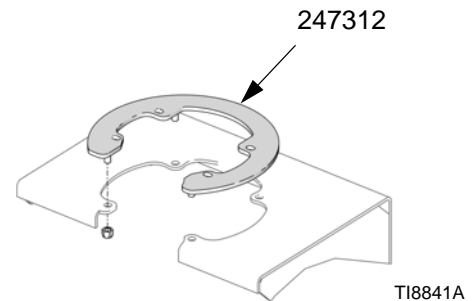
256193 Floor Stand Kit (includes items 1-6)

NOTE: Adapter plate 247312 is required to mount an NXT 2200 air motor to the floor stand.

1. Assemble the stand as shown in the parts drawing.
2. See **Floor Stand Mounting Hole Diagram**, page 4. Secure the stand to the floor with M19 (5/8 in.) bolts which engage at least 152 mm (6 in.) into the concrete floor to prevent the pump from tipping.
3. Use a hoist or elevator to lower the pump into the stand. Secure the pump to the stand.



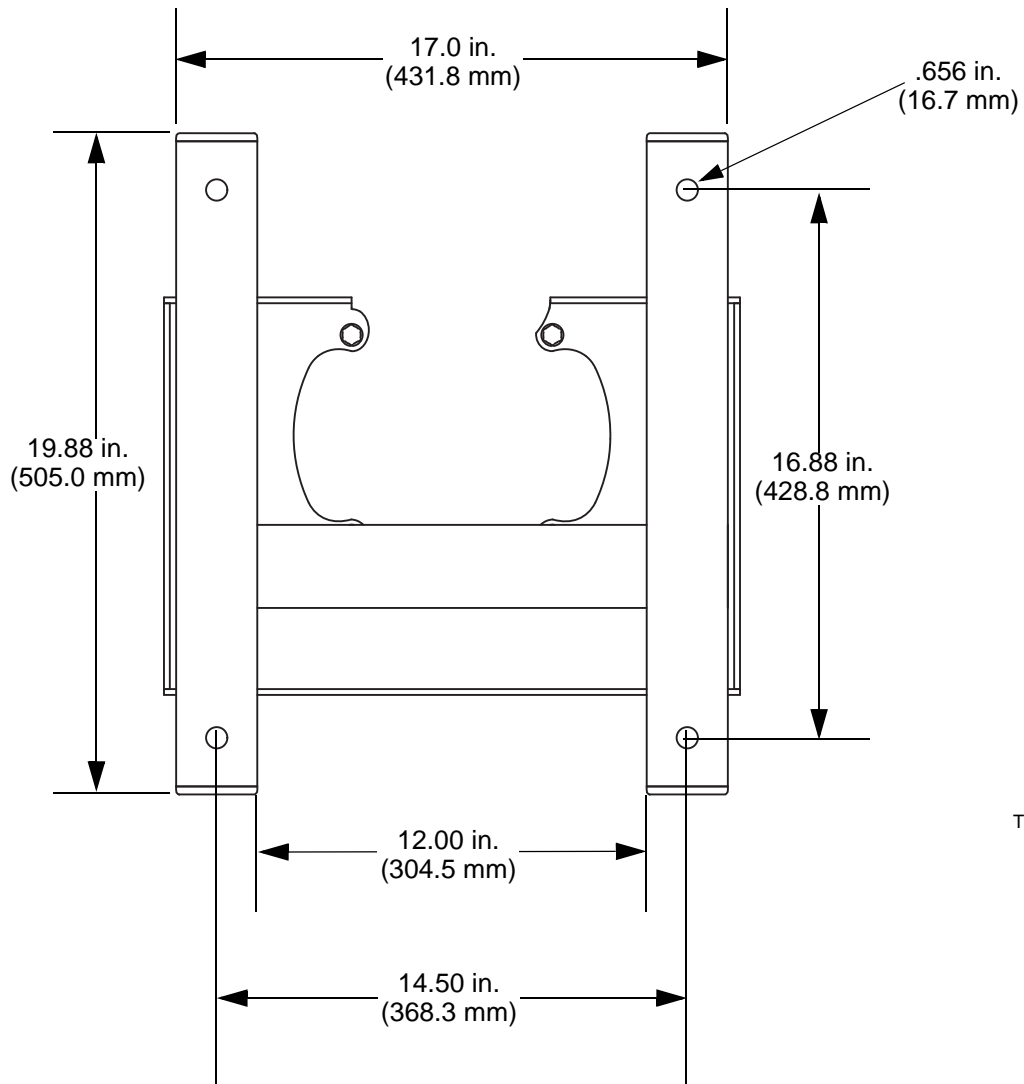
NOTE: Adapter plate 247312 is required to mount an NXT 2200 air motor to the bracket. Order separately.



Ref. No.	Part No.	Description	Qty.
101	100018	WASHER, lock	6
102	100321	NUT	6
103	100679	SCREW, cap, hex hd	6
104	120486	CAP, plug	4
105	15H893	FRAME	1
106	253691	LEG	2
107	255143	MOUNTING KIT (includes items 8 and 9, see page 1)	1
108*	100101	SCREW, cap, hex hd	4
109*	100133	WASHER, lock	4

* Included in 255143 Mounting Kit.

Floor Stand Mounting Hole Diagram



T115859a

19Y313 Floor Mount Kit

19Y313 can be used for all 4-ball lower sizes. 19Y313 includes items 201-206.
(750-2000cc lowers do not use item 202.)

19Y286 Floor Mount Adapter Plate Kit

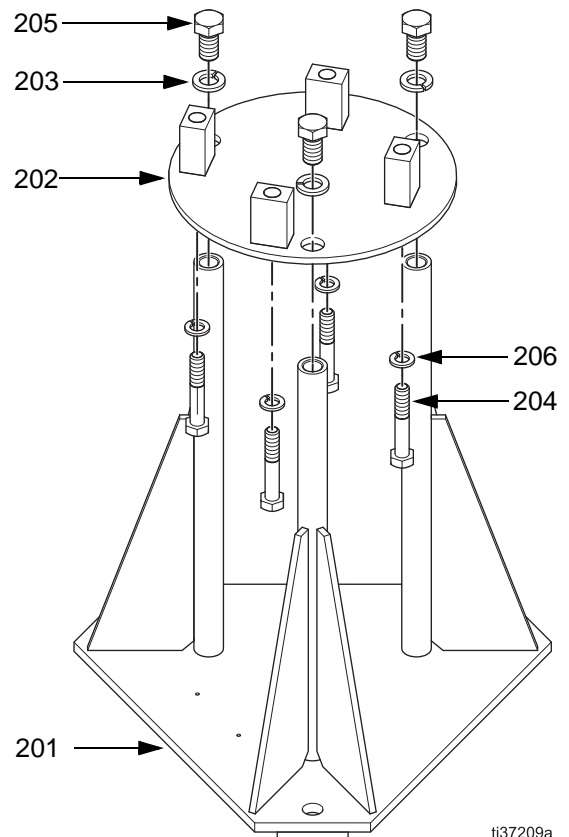
19Y286 can be used to adapt an existing floor mount for 2500cc-4000cc sealed 4-Ball Plus lowers.
19Y286 includes items 202-206.

1. Assemble the floor mount as shown in the parts drawing.
2. See **Floor Mount Kits Mounting Hole Diagram**, page 6. Secure the base to the floor with M13 (1/2 in./13 mm) bolts which engage at least 6 in. (152 mm) into the concrete floor to prevent the pump from tipping.
3. Use a hoist or elevator to lower the pump onto the floor mount. Secure the pump to the floor mount.

Ref. No.	Part No.	Description	Qty.
201†	--	BASE, mounting	1
202‡	--	PLATE, mounting, pump	1
203‡	--	WASHER, lock, spring	3
204‡	--	SCREW, cap, hex head, M12X70	4
205‡	--	SCREW, cap, hex head	3
206‡	--	WASHER, lock, spring	4

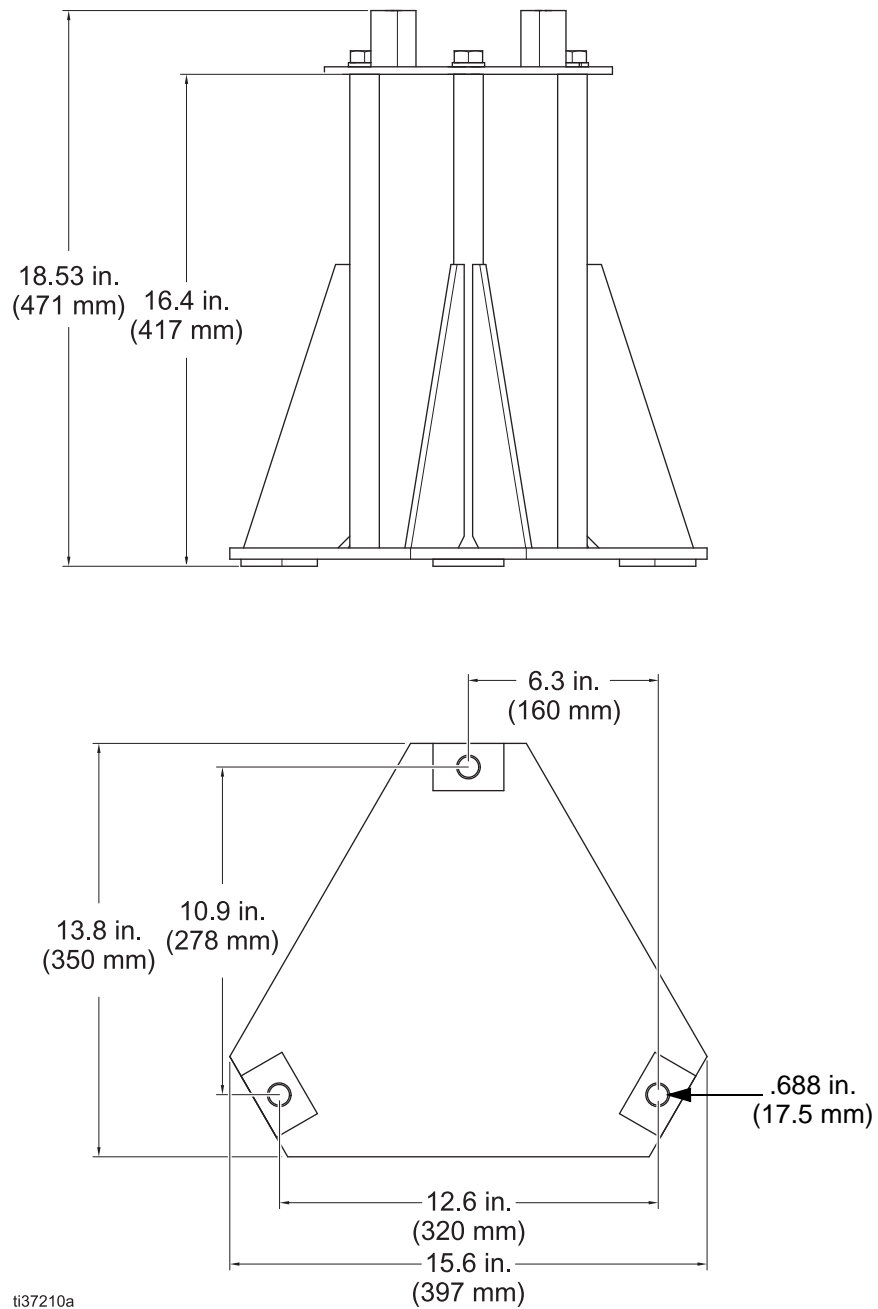
† Included in 19Y313 Floor Mount Kit.

‡ Included in 19Y286 Floor Mount Kit.



ti37209a

Floor Mount Kits Mounting Hole Diagram



Graco Information

For the latest information about Graco products, visit www.graco.com.

For patent information, see www.graco.com/patents.

TO PLACE AN ORDER, contact your Graco distributor or call to identify the nearest distributor.

Phone: 612-623-6921 **or Toll Free:** 1-800-328-0211 **Fax:** 612-378-3505

*All written and visual data contained in this document reflects the latest product information available at the time of publication.
Graco reserves the right to make changes at any time without notice.*

Original instructions. This manual contains English. MM 311619

Graco Headquarters: Minneapolis

International Offices: Belgium, China, Japan, Korea

GRACO INC. AND SUBSIDIARIES • P.O. BOX 1441 • MINNEAPOLIS MN 55440-1441 • USA

Copyright 2006, Graco Inc. All Graco manufacturing locations are registered to ISO 9001.

www.graco.com

Revised October 2019