

Repair



Drum Roller Kit

312492B

For transferring drums on and off a supply unit.

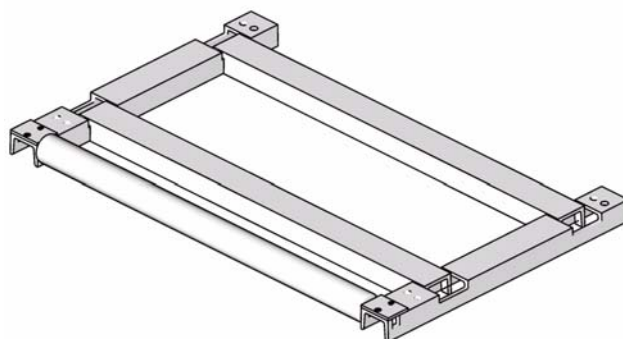
Model 255627



Important Safety Instructions

Read all warnings and instructions in 312371 manual. Save these instructions.

See page 4 for model information and approvals.







ti10951a

PROVEN QUALITY. LEADING TECHNOLOGY.



Maintenance

						
Read all warnings and instructions in 312371 manual.						

Caution
The maximum weight capacity of the drum roller kit is 6,500 lbs. (2948.35 kg).

Assemble

1. Lay two side frames (2) on the ground. See parts illustration on page 3.
2. Install two cross frames (3), roller (1), and roller frame stop (4) on top of the two side frames (2).
3. Tighten screws (5) on the roller frame stop (4).

Install

1. Remove the drum from the supply unit and put the ram in down position.
2. Relieve pressure.
3. Disconnect air hoses.
4. Turn OFF power.
5. Put the ram director valve in the neutral position.
6. Wrap strapping outside of the platen lift rods and lift the supply unit with a secure hoist.
7. Position the roller kit at desired location. See Parts illustration on page 3 for bolt hole location.
8. Slowly lower the supply unit on the drum roller kit. Line up the holes of the drum roller kit and the supply unit base.
9. Install 1/2 in. (13 mm) anchors (not supplied) through the ram base and drum roller kit to secure the supply unit to the ground.

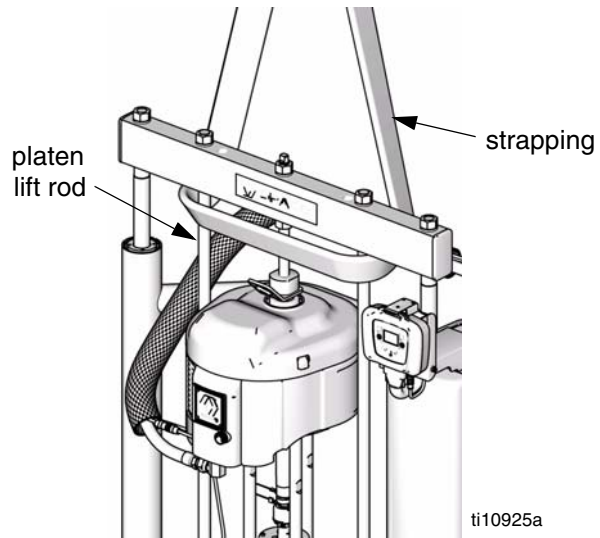
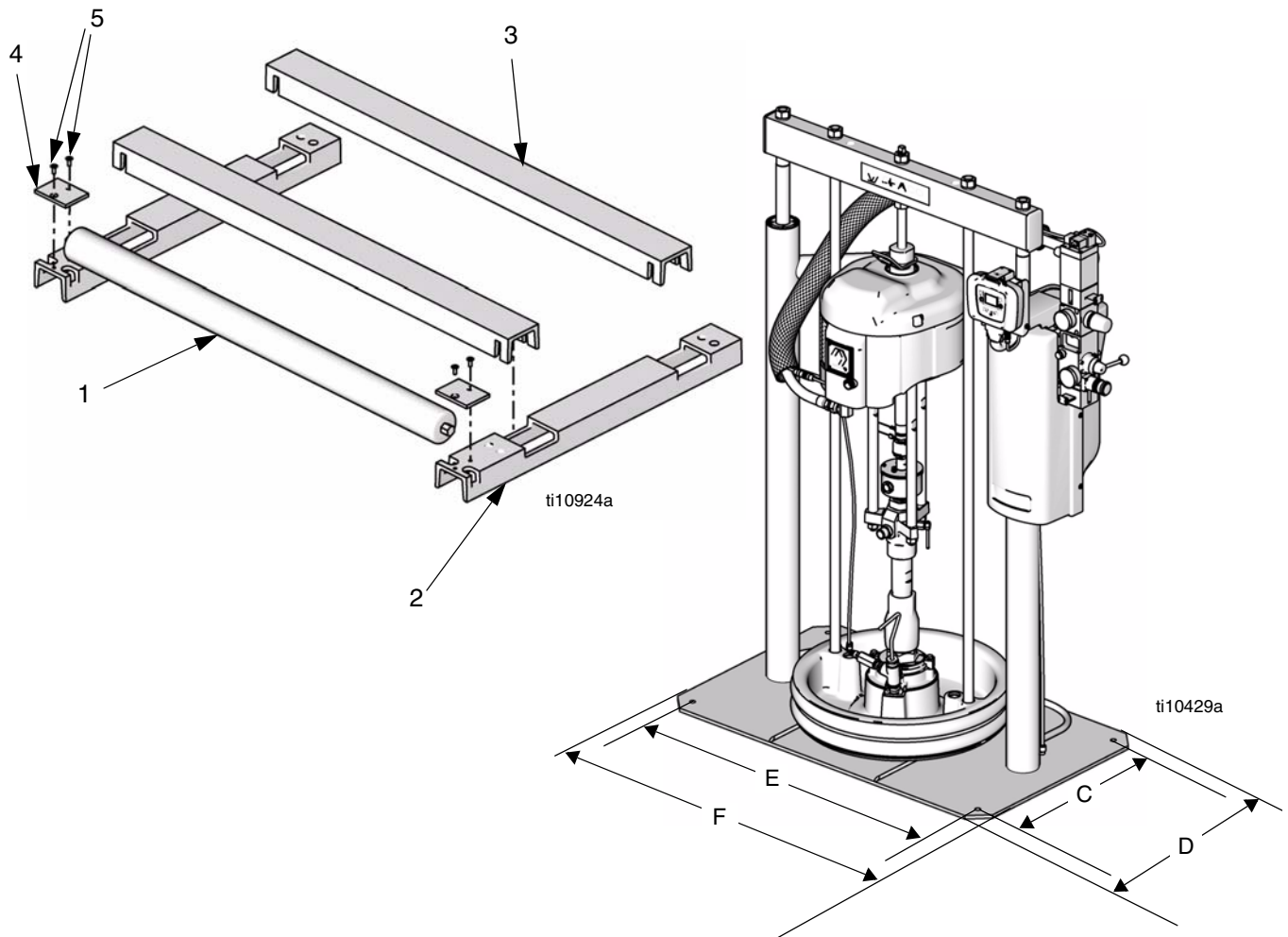


FIG. 1

Operation

1. Follow instructions **Starting and Adjusting Ram** in manual 312371.
2. Position full drum of material with bottom edge of drum on roller using drum dolly, fork lift, etc.
3. Roll drum into position on ram base.

Parts



255627, Drum Roller Kit

Ref. No.	Part No.	Description	Qty.
1	121225	ROLLER, 2.5 dia x 36	1
2		FRAME, roller, side channel	2
3		FRAME, roller, cross channel	2
4		STOP, roller frame	2
5	103204	SCREW, mach, oval hd	4

Dimensions

Ram Model	C in. (mm)	D in. (mm)	E in. (mm)	F in. (mm)
D200	21.00 (533.4)	25.00 (635)	38.00 (965.2)	42.00 (1066.8)
D200s	23.00 (584.2)	25.00 (635)	45.00 (1143)	48.00 (1219.2)

Graco Standard Warranty

Graco warrants all equipment referenced in this document which is manufactured by Graco and bearing its name to be free from defects in material and workmanship on the date of sale to the original purchaser for use. With the exception of any special, extended, or limited warranty published by Graco, Graco will, for a period of twelve months from the date of sale, repair or replace any part of the equipment determined by Graco to be defective. This warranty applies only when the equipment is installed, operated and maintained in accordance with Graco's written recommendations.

This warranty does not cover, and Graco shall not be liable for general wear and tear, or any malfunction, damage or wear caused by faulty installation, misapplication, abrasion, corrosion, inadequate or improper maintenance, negligence, accident, tampering, or substitution of non-Graco component parts. Nor shall Graco be liable for malfunction, damage or wear caused by the incompatibility of Graco equipment with structures, accessories, equipment or materials not supplied by Graco, or the improper design, manufacture, installation, operation or maintenance of structures, accessories, equipment or materials not supplied by Graco.

This warranty is conditioned upon the prepaid return of the equipment claimed to be defective to an authorized Graco distributor for verification of the claimed defect. If the claimed defect is verified, Graco will repair or replace free of charge any defective parts. The equipment will be returned to the original purchaser transportation prepaid. If inspection of the equipment does not disclose any defect in material or workmanship, repairs will be made at a reasonable charge, which charges may include the costs of parts, labor, and transportation.

THIS WARRANTY IS EXCLUSIVE, AND IS IN LIEU OF ANY OTHER WARRANTIES, EXPRESS OR IMPLIED, INCLUDING BUT NOT LIMITED TO WARRANTY OF MERCHANTABILITY OR WARRANTY OF FITNESS FOR A PARTICULAR PURPOSE.

Graco's sole obligation and buyer's sole remedy for any breach of warranty shall be as set forth above. The buyer agrees that no other remedy (including, but not limited to, incidental or consequential damages for lost profits, lost sales, injury to person or property, or any other incidental or consequential loss) shall be available. Any action for breach of warranty must be brought within two (2) years of the date of sale.

GRACO MAKES NO WARRANTY, AND DISCLAIMS ALL IMPLIED WARRANTIES OF MERCHANTABILITY AND FITNESS FOR A PARTICULAR PURPOSE, IN CONNECTION WITH ACCESSORIES, EQUIPMENT, MATERIALS OR COMPONENTS SOLD BUT NOT MANUFACTURED BY GRACO. These items sold, but not manufactured by Graco (such as electric motors, switches, hose, etc.), are subject to the warranty, if any, of their manufacturer. Graco will provide purchaser with reasonable assistance in making any claim for breach of these warranties.

In no event will Graco be liable for indirect, incidental, special or consequential damages resulting from Graco supplying equipment hereunder, or the furnishing, performance, or use of any products or other goods sold hereto, whether due to a breach of contract, breach of warranty, the negligence of Graco, or otherwise.

FOR GRACO CANADA CUSTOMERS

The Parties acknowledge that they have required that the present document, as well as all documents, notices and legal proceedings entered into, given or instituted pursuant hereto or relating directly or indirectly hereto, be drawn up in English. Les parties reconnaissent avoir convenu que la rédaction du présente document sera en Anglais, ainsi que tous documents, avis et procédures judiciaires exécutés, donnés ou intentés, à la suite de ou en rapport, directement ou indirectement, avec les procédures concernées.

Graco Information

TO PLACE AN ORDER, contact your Graco distributor or call to identify the nearest distributor.

Phone: 612-623-6921 **or Toll Free:** 1-800-328-0211 **Fax:** 612-378-3505

PARA EFETUAR ENCOMENDAS OU PARA ASSISTÊNCIA TÉCNICA, contate o seu distribuidor da Graco.

POUR PLACER UNE COMMANDE OU DEMANDER DU SERVICE, contactez votre distributeur Graco.

PARA REMITIR UN PEDIDO O SOLICITAR SERVICIO, póngase en contacto con el distribuidor de Graco.

*All written and visual data contained in this document reflects the latest product information available at the time of publication.
Graco reserves the right to make changes at any time without notice.*

This manual contains English. MM 312492

Graco Headquarters: Minneapolis

International Offices: Belgium, China, Japan, Korea

GRACO INC. P.O. BOX 1441 MINNEAPOLIS, MN 55440-1441

www.graco.com

9/2007, Revised 11/2007