

Light Tower Kit

312493F

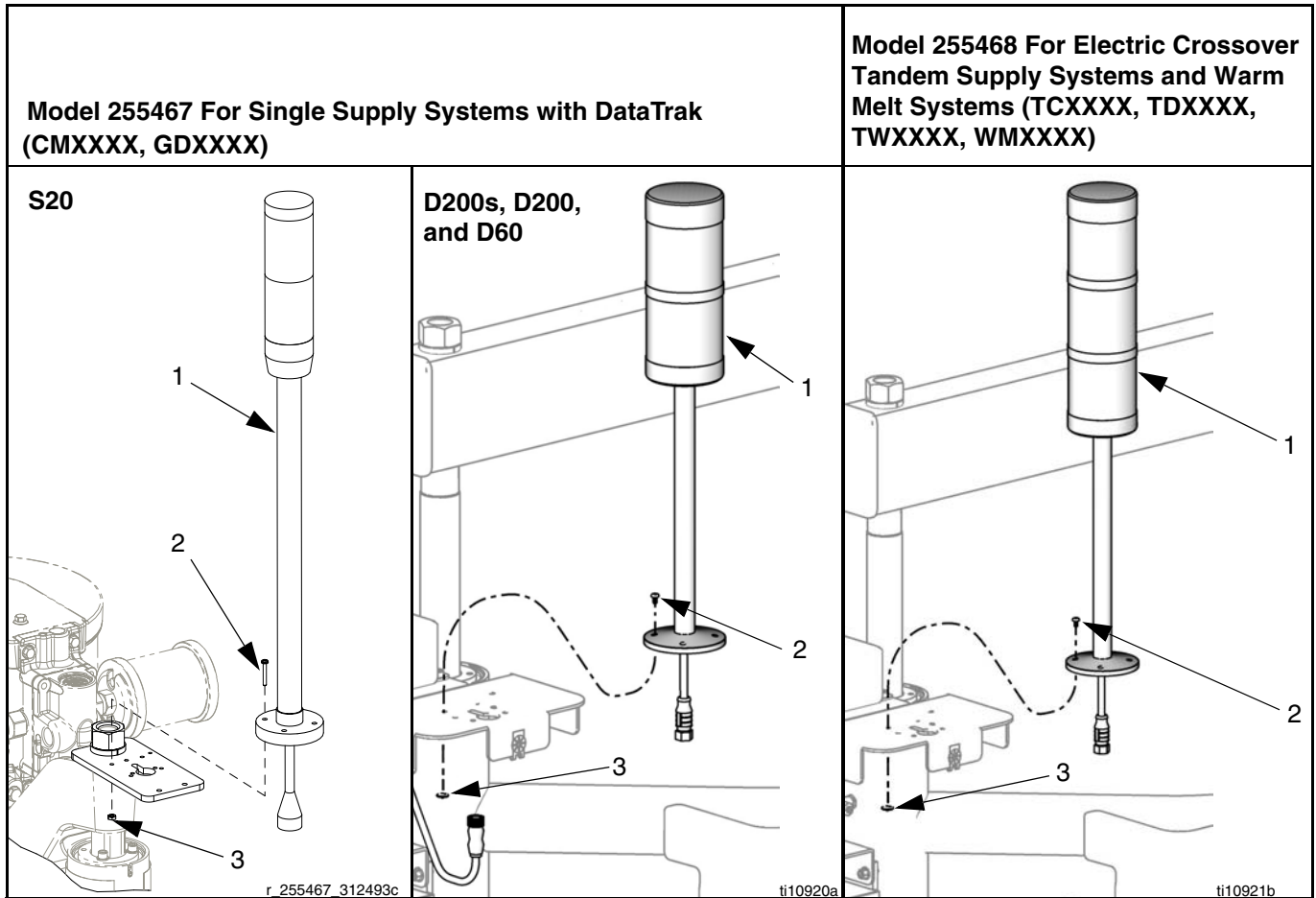
EN

Diagnostic indicator for use with single supply, tandem supply, and other GCA equipped systems.



Important Safety Instructions

Read all warnings and instructions in your supply system operation and repair manuals. Save all instructions.



Model 255467 For Single Supply Systems with DataTrak (CMXXXX, GDXXXX)

Model 255468 For Electric Crossover Tandem Supply Systems and Warm Melt Systems (TCXXXX, TDXXXX, TWXXXX, WMXXXX)

S20

D200s, D200, and D60

Ref.	Description	Qty.
1	LIGHT TOWER, Model 255467	1
2	SCREW, machine	
3	NUT, hex	

Ref.	Description	Qty.
1	LIGHT TOWER, Model 255468	1
2	SCREW, machine	
3	NUT, hex	

Installation

Mounting Provided (Rams)

1. Loosen six captive screws (A) and disassemble shrouds (B) from supply system.

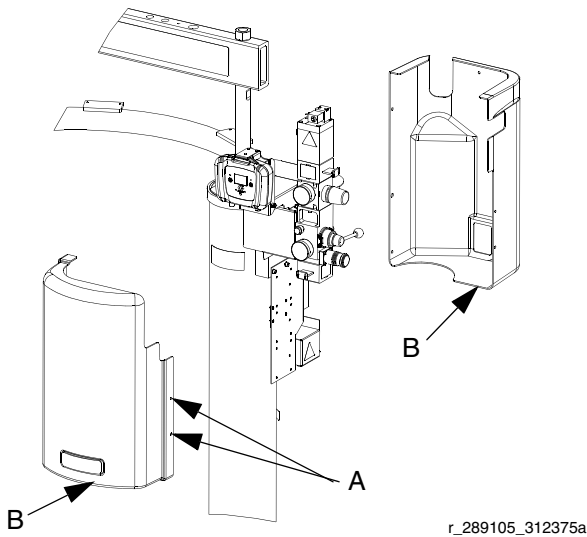


FIG. 1: Shroud Removal

2. Feed the light tower cable through the hole in the light tower mounting bracket.

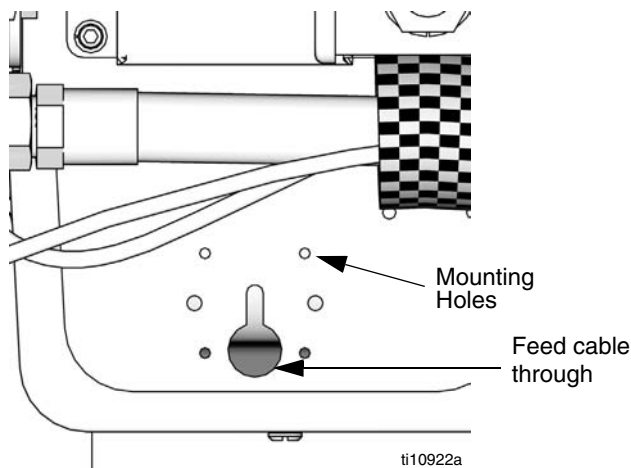


FIG. 2: Hole Pattern

3. Attach light tower to bracket with screws (2) and hex nuts (3).
4. Plug connector at end of light tower cable into corresponding green connector on the DataTrak or display module harness.

For tandem systems, plug light tower connector into fluid control module connector number 2. See your supply system manual for electrical connection schematic.

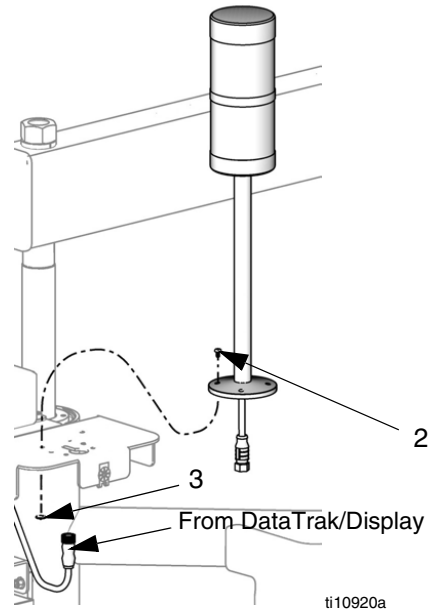


FIG. 3: Electrical Connection

5. Reattach the shrouds (B).

Mounting Not Provided

1. Locate the light tower so it is visually unobscured.
2. Drill the hole pattern for the light tower.

NOTE: A 1:1 drill template has been provided on this page.

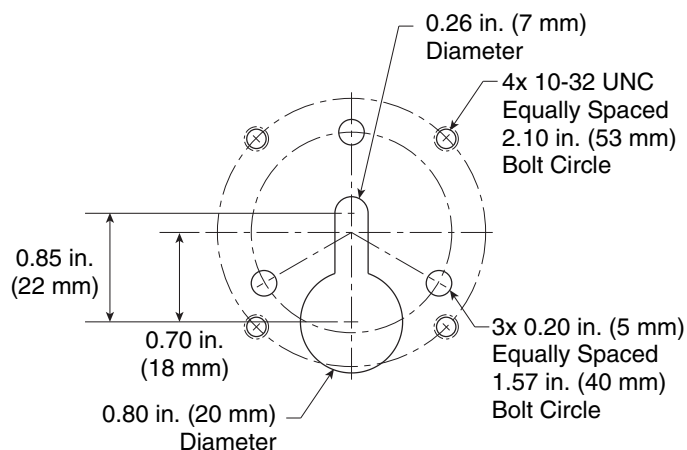


FIG. 4: Hole Pattern

3. Feed the light tower cable through the hole of the light tower mounting pattern. See FIG. 2.
4. Attach the light tower to the hole pattern with the screws and hex nuts provided.
5. Plug the connector at the end of the light tower cable into port 1 found on the Advanced Display Module (ADM).

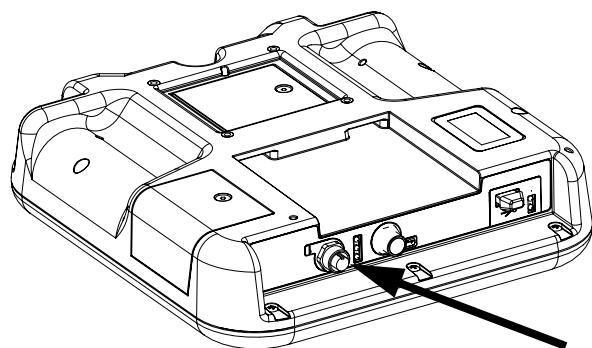


FIG. 5: Advanced Display Module

Accessories

Light Tower Extension Cables

Part No.	Length (meter)
122487	1.5
121728	4.0
124003	5.0
121005	15
121006	50

Troubleshooting

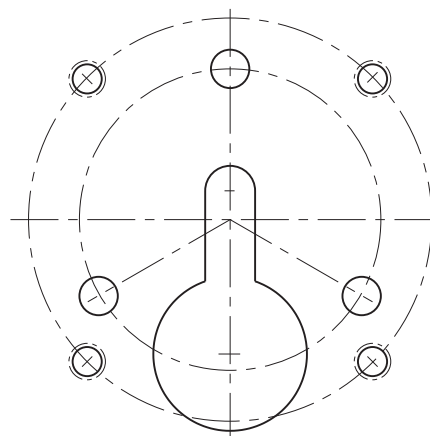
Light Tower Signals

Signal	Description
Green on only (Only model 255468)	System is powered up and there are no error conditions present.
Yellow flashing	A low priority error exists.
Yellow on	A medium priority error exists.
Red flashing	A high priority error exists.
Red on	The system is shut down due to error conditions.

NOTE: See supply systems manual for details of the specific errors associated with the light tower signals.

Drill Template

NOTE: Drill Template is 1:1 Scale.



*All written and visual data contained in this document reflects the latest product information available at the time of publication.
Graco reserves the right to make changes at any time without notice.*

For patent information, see www.graco.com/patents.

Original instructions. This manual contains English. MM 312493

Graco Headquarters: Minneapolis

International Offices: Belgium, China, Japan, Korea

GRACO INC. AND SUBSIDIARIES • P.O. BOX 1441 • MINNEAPOLIS MN 55440-1441 • USA

Copyright 2007, Graco Inc. All Graco manufacturing locations are registered to ISO 9001.

www.graco.com

Revised June 2013