

# Enclosed Wetcup Recirculation Kit

312494A

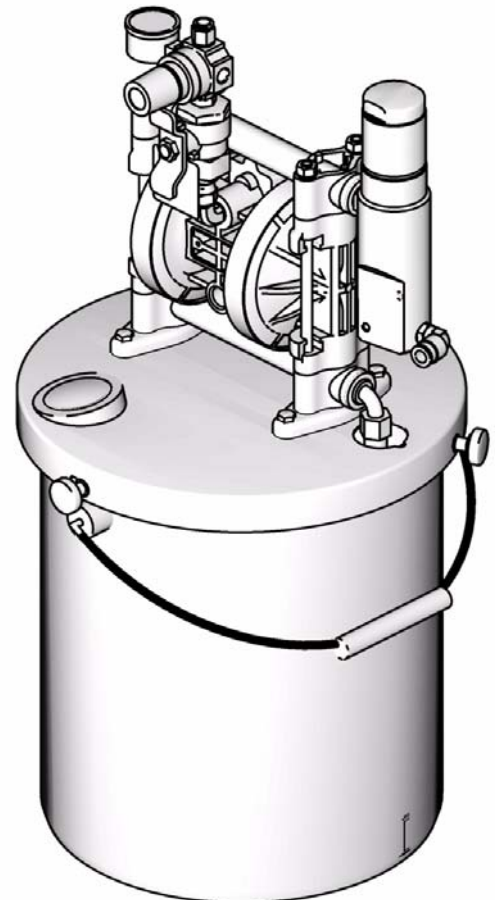
*For continuously circulating Throat Seal Liquid through enclosed wetcup on Check-Mate® MaxLife® Displacement Pump. For use with Single Supply and Tandem Supply Systems.*

**Part 255703**



**Important Safety Instructions**

Read all warnings and instructions in this manual and in your system operation and repair-parts manuals. Save these instructions.



T11914a

CE

# Contents

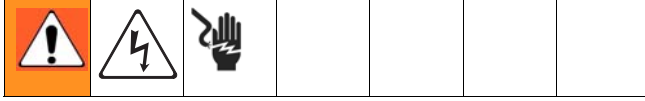
<b>Features and Benefits</b> .....	<b>2</b>
<b>Installation</b> .....	<b>3</b>
Grounding .....	3
Installation .....	3
<b>Operation</b> .....	<b>5</b>
First Time Operation .....	5
Daily Operation .....	5
<b>Daily Inspection</b> .....	<b>5</b>
<b>Parts</b> .....	<b>6</b>
<b>Technical Data</b> .....	<b>7</b>
<b>Graco Standard Warranty</b> .....	<b>8</b>
<b>Graco Information</b> .....	<b>8</b>

# Features and Benefits

- Throat Seal Liquid (TSL) is circulated through enclosed wetcup to remove contaminants and extend throat seal life.
- A single, large volume source of TSL is used to extend time between scheduled maintenance.
- Only one TSL location to monitor for one or multiple pumps.
- Extended TSL life due to regular filter element cleaning or replacement.
- Easily replace used TSL; no longer need to clean individual wetcups.

# Installation

## Grounding





The equipment must be grounded. Grounding reduces the risk of static and electric shock by providing an escape wire for the electrical current due to static build up or in the event of a short circuit.

**Pump:** use ground wire and clamp (included with supply system). Loosen grounding lug locknut and washer. Insert ground wire end into lug slot and tighten locknut securely. Connect ground clamp to a true earth ground.

**Solvent pails used when flushing:** follow local code. Use only conductive metal pails, placed on a grounded surface. Do not place the pail on a nonconductive surface, such as paper or cardboard, which interrupts grounding continuity.

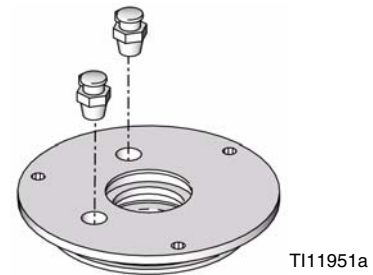
## Installation

 The enclosed wetcup recirculation kit does not include a pail. You will need a five-gallon metal pail to attach to the diaphragm pump assembly.

 Refer to FIG. 3 for a view of an installed wetcup recirculation kit on a single supply system.

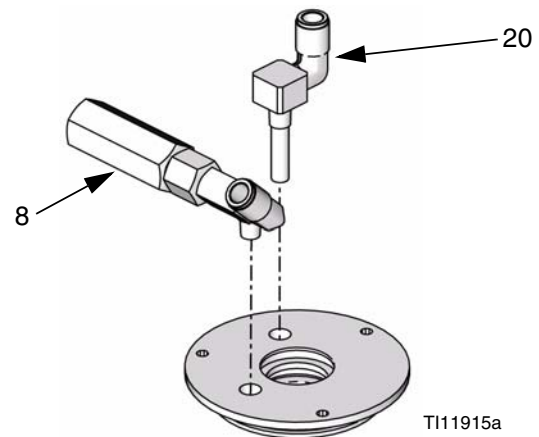
1. Attach diaphragm pump assembly to a five-gallon metal pail.
2. Ground pump and pail. See **Grounding** instructions above.
3. Drill a 3/8 in. diameter hole into center of plastic pail cover plug (P) for fluid return line (H). Install a plug in pail cover.
4. Thread tee fitting (6), bushing (1), and air fitting (7) into inlet of air control on supply system. See FIG. 3 and **Parts**, page 6, for reference.
5. Remove enclosed wetcup cover from displacement pump (L). See manual 312375 for instructions.

6. Remove 1/8 in. npt plug and fill port from wetcup cover.




**FIG. 1: Remove Plug and Fill Port**

7. Install recirculation fitting (20), relief valve outlet (8), and return line fitting as shown in FIG. 2 and FIG. 3.




**FIG. 2: Install Fitting and Relief Valve Outlet**

8. Reinstall wetcup on displacement pump (L). See manual 312375 for instructions.

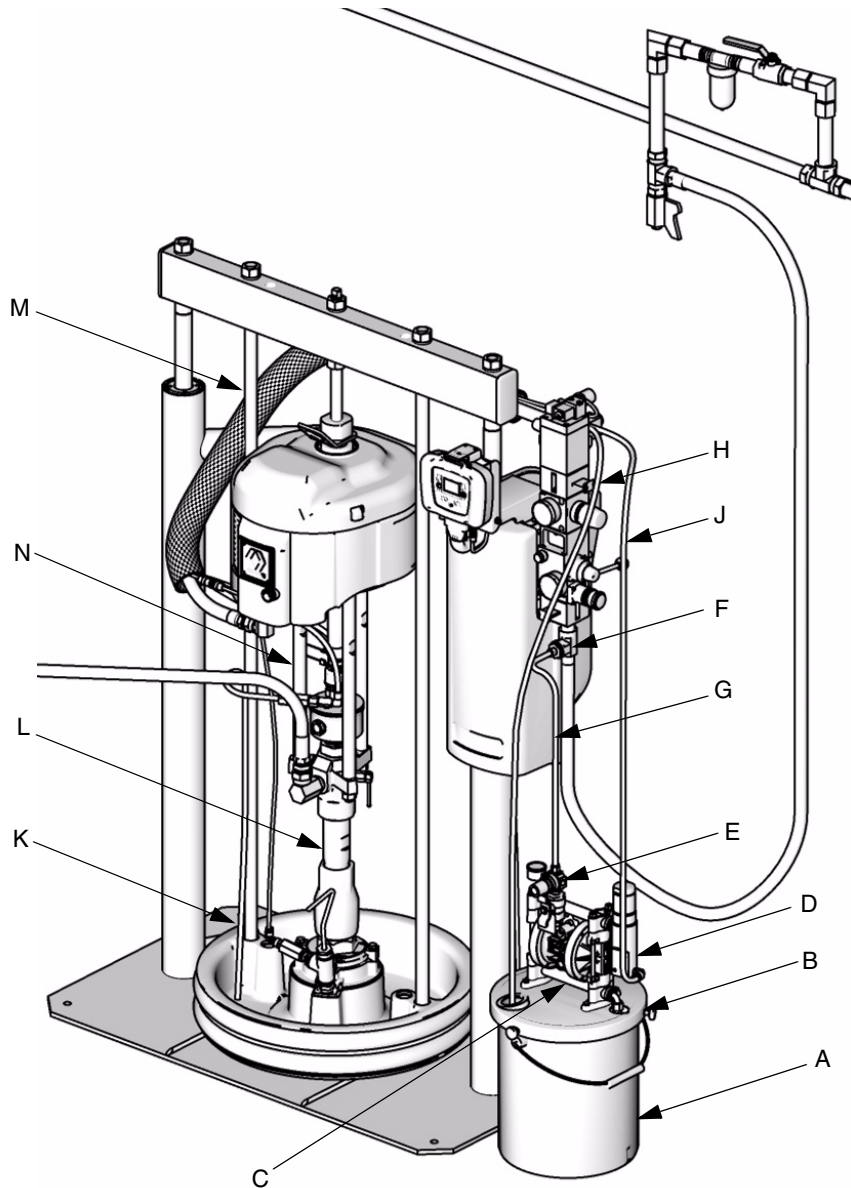
 All fluid and air lines plumbed in the following steps consist of 3/8 in. OD tubing included in this kit.

9. Route fluid relief line (K) from relief valve outlet (8) to a suitable and visible location. Use zip ties to fasten fluid relief line to platen lift rod (M) or pump tie rods (N).

 Ensure fluid relief line (K) location is visible. Therefore, if fluid is observed, any blockage can be immediately cleared in primary return line and pump throat seal can be replaced.

Installation

10. Route fluid supply line (J) from diaphragm pump fluid filter outlet (10) to recirculation fitting (20) on displacement pump (L).
11. Route air supply line (G) from air fitting (7) to air regulator (2) on diaphragm pump (C).
12. Route fluid return line (H) from wetcup return line fitting (4) to five-gallon metal pail (A). Use hole in pail cover plug (P) to secure fluid return line.
13. Verify that routing of fluid and air lines does not interfere with any hardware when ram is raised and lowered.



TI11913a

**FIG. 3: Setup of Wetcup Recirculation Kit with Single Supply System**

**Key:**

- |   |                  |   |                   |
|---|------------------|---|-------------------|
| A | 5 Gallon Pail    | H | Fluid Return Line |
| B | Pail Cover       | J | Fluid Supply Line |
| C | Diaphragm Pump   | K | Fluid Relief Line |
| D | Fluid Filter     | L | Displacement Pump |
| E | Air Regulator    | M | Platen Lift Rod   |
| F | Air Line Adapter | N | Pump Tie Rod      |
| G | Air Supply Line  | P | Pail Cover Plug   |

# Operation

## First Time Operation

1. Fill five-gallon metal pail with 3 gallons (11.4 liters) of Throat Seal Liquid (TSL) or a solvent that is compatible with this kit and enclosed wetcup. See **Technical Data** on page 7 and manual 312375 for materials of construction.



Do not fill entire pail with TSL or solvent. If TSL is returned to pail due to blockage and/or throat seal leakage, pail will overflow.

2. Prime recirculation system.
  - a. Adjust diaphragm pump air regulator (2) to approximately 20 psi.
  - b. Turn on air shutoff valve (3).
  - c. Watch for leaks and adjust air regulator (2) as needed to load and recirculate TSL.

## Daily Operation

Adjust air regulator (2) to obtain desired circulation flow rate. Typical flow rate is 10-20 cycles/min.

# Daily Inspection

Perform the following inspections on a daily basis:

- Check cycle/flow rate and adjust diaphragm pump air regulator (2) as needed.
- Inspect TSL or solvent level and condition in metal pail.



If TSL or solvent level is rising, displacement pump throat seals are leaking. Replace throat seals; see manual 312375 for instructions.

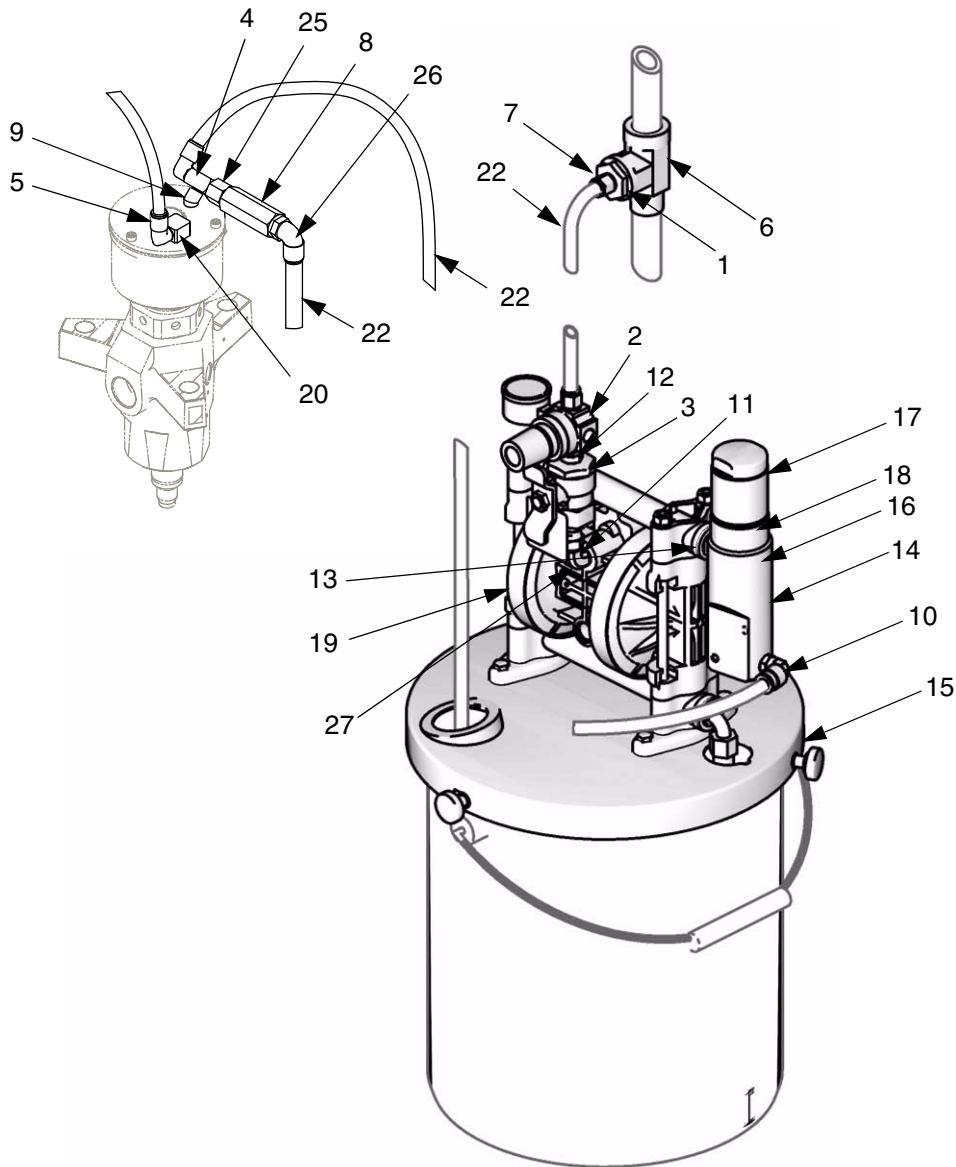
If TSL or solvent is dirty, replace.

- Inspect and clean fluid filter element (16). Clean or replace as needed.



If diaphragm pump is slowing or requires high pressure, inspect fluid filter and clean or replace.

# Parts



Ref.	Part	Description	Qty.	Ref.	Part	Description	Qty.
1	100615	BUSHING, hex; steel	1	15	235654	KIT, pail mount, 5 gallon	1
2	110147	REGULATOR, air; 1/4 npt & gauge	1	16	246383	KIT, filter, 200 mesh	1
3	110223	VALVE, vented 2 way	1	17	287902	KIT, filter cap	1
4	110440	TEE, branch, male; 1/8 npt	1	18	118133	O-RING, PTFE encapsulated	1
5	111225	CONNECTOR, tube; 90 deg.	2	19★	D31211	PUMP, diaphragm	1
6	111337	TEE, fitting, street	1	20	15R421	FITTING, recirculation w/ nozzle	1
7	113319	FITTING, air	2	22	513066	TUBE, nylon, 3/8 in. OD; 40 ft.	1
8	113497	VALVE, relief	1	23	237569	WIRE, assy.; 25 ft. (not shown)	1
9	113630	ELBOW, street, 45 deg; 1/8 npt	1	24	C38321	TIE, cable (not shown)	10
10	115841	ELBOW	1	25	156580	ADAPTER; 3/8 in. x 1/8 in.	1
11	155541	UNION, swivel. 90 deg.	1	26	C19394	ELBOW, 90 deg., SST; 3/8 in. OD tube x 3/8 nptm	1
12	156971	NIPPLE, short	1	27	162453	NIPPLE; 1/4 npsm x 1/4 npt	1
13	157350	ADAPTER	1				
14	15F058	MANIFOLD, filter, remote	1				

★ Refer to manual 308353 for diaphragm pump operation and service.

# Technical Data

Wetted parts . . . . . 303 and 304 grades of SST, Acetal, Anodized Aluminum, Brass, Buna-n, Nickel and Zinc plated Carbon Steel, Nylon, PTFE, Urethane, Zytel

# Graco Standard Warranty

Graco warrants all equipment referenced in this document which is manufactured by Graco and bearing its name to be free from defects in material and workmanship on the date of sale to the original purchaser for use. With the exception of any special, extended, or limited warranty published by Graco, Graco will, for a period of twelve months from the date of sale, repair or replace any part of the equipment determined by Graco to be defective. This warranty applies only when the equipment is installed, operated and maintained in accordance with Graco's written recommendations.

This warranty does not cover, and Graco shall not be liable for general wear and tear, or any malfunction, damage or wear caused by faulty installation, misapplication, abrasion, corrosion, inadequate or improper maintenance, negligence, accident, tampering, or substitution of non-Graco component parts. Nor shall Graco be liable for malfunction, damage or wear caused by the incompatibility of Graco equipment with structures, accessories, equipment or materials not supplied by Graco, or the improper design, manufacture, installation, operation or maintenance of structures, accessories, equipment or materials not supplied by Graco.

This warranty is conditioned upon the prepaid return of the equipment claimed to be defective to an authorized Graco distributor for verification of the claimed defect. If the claimed defect is verified, Graco will repair or replace free of charge any defective parts. The equipment will be returned to the original purchaser transportation prepaid. If inspection of the equipment does not disclose any defect in material or workmanship, repairs will be made at a reasonable charge, which charges may include the costs of parts, labor, and transportation.

**THIS WARRANTY IS EXCLUSIVE, AND IS IN LIEU OF ANY OTHER WARRANTIES, EXPRESS OR IMPLIED, INCLUDING BUT NOT LIMITED TO WARRANTY OF MERCHANTABILITY OR WARRANTY OF FITNESS FOR A PARTICULAR PURPOSE.**

Graco's sole obligation and buyer's sole remedy for any breach of warranty shall be as set forth above. The buyer agrees that no other remedy (including, but not limited to, incidental or consequential damages for lost profits, lost sales, injury to person or property, or any other incidental or consequential loss) shall be available. Any action for breach of warranty must be brought within two (2) years of the date of sale.

**GRACO MAKES NO WARRANTY, AND DISCLAIMS ALL IMPLIED WARRANTIES OF MERCHANTABILITY AND FITNESS FOR A PARTICULAR PURPOSE, IN CONNECTION WITH ACCESSORIES, EQUIPMENT, MATERIALS OR COMPONENTS SOLD BUT NOT MANUFACTURED BY GRACO.** These items sold, but not manufactured by Graco (such as electric motors, switches, hose, etc.), are subject to the warranty, if any, of their manufacturer. Graco will provide purchaser with reasonable assistance in making any claim for breach of these warranties.

In no event will Graco be liable for indirect, incidental, special or consequential damages resulting from Graco supplying equipment hereunder, or the furnishing, performance, or use of any products or other goods sold hereto, whether due to a breach of contract, breach of warranty, the negligence of Graco, or otherwise.

## **FOR GRACO CANADA CUSTOMERS**

The Parties acknowledge that they have required that the present document, as well as all documents, notices and legal proceedings entered into, given or instituted pursuant hereto or relating directly or indirectly hereto, be drawn up in English. Les parties reconnaissent avoir convenu que la rédaction du présente document sera en Anglais, ainsi que tous documents, avis et procédures judiciaires exécutés, donnés ou intentés, à la suite de ou en rapport, directement ou indirectement, avec les procédures concernées.

# Graco Information

**TO PLACE AN ORDER**, contact your Graco distributor or call to identify the nearest distributor.

**Phone:** 612-623-6921 **or Toll Free:** 1-800-328-0211 **Fax:** 612-378-3505

*All written and visual data contained in this document reflects the latest product information available at the time of publication.  
Graco reserves the right to make changes at any time without notice.*

*This manual contains English. MM 312494*

**Graco Headquarters:** Minneapolis  
**International Offices:** Belgium, China, Japan, Korea

**GRACO INC. P.O. BOX 1441 MINNEAPOLIS, MN 55440-1441**

Copyright 2008, Graco Inc. is registered to I.S. EN ISO 9001

[www.graco.com](http://www.graco.com)

10/2008