

# Oil Pump System

312862J

EN

**See pump and motor manuals (supplied) for important Safety and Warning information and installation, operation, and service instructions for those components.**

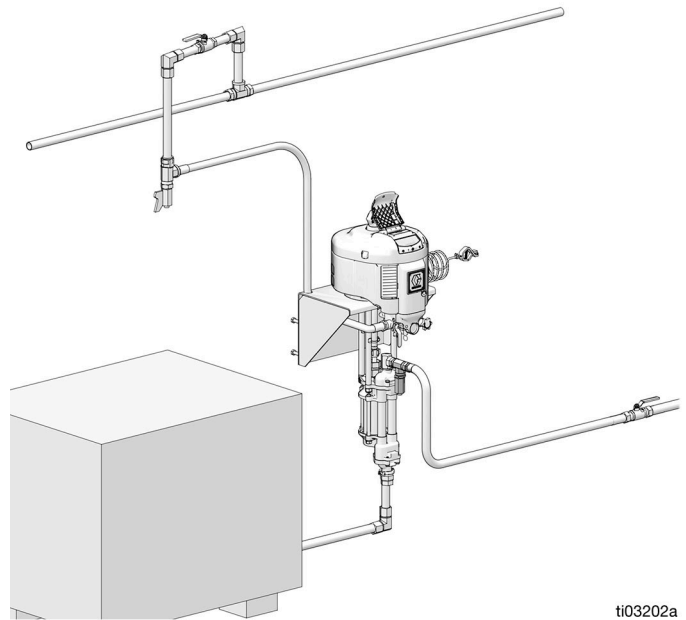
**Not approved for use in explosive atmospheres or hazardous (classified) locations.**

See page 2 for model information, including maximum working pressure and approvals.



### Important Safety Instructions

Read all warnings and instructions in this manual before using the equipment. Be familiar with the proper control and usage of the equipment. Save these instructions.



ti03202a

## Related Manuals

Find English manuals and any available translations at [www.graco.com](http://www.graco.com).

English Manual Number	Description
311717	Carbon Steel 1000cc Lower
311825	Dura-Flo® Lowers
311826	Dura-Flo Pumps
311833	Two-Ball NXT® 1000cc Pumps
3A2023	4-Ball Lowers
3A2024	MR 4-Ball 3400/1500 and 3400/2000; LR 4-Ball 6500/2000



# Models

Packages With Data Trak						System Maximum Working Pressure	
						Air	Fluid
System Part No.	Sub Level Part No.	Pump	Air Motor Size	Lower Size	Floor or Wall Mount	psi (MPa, bar)	psi (MPa, bar)
247890	24D592	6:1, Dura-Flo*	NXT3400	1000 cc★	255143 Wall	100 (0.7, 7.0)	620 (4.3, 43)
247891	24D593	12:1, Dura-Flo†	NXT3400	580 cc◆		100 (0.7, 7.0)	1190 (8.2, 82)
247983		12:1, Dura-Flo, SST†	NXT3400	580 cc◆		100 (0.7, 7.0)	1190 (8.2, 82)
247894	24D595	10:1, Dura-Flo*	NXT6500	1000 cc★		100 (0.7, 7.0)	1180 (8.1, 81)
247895		23:1, Dura-Flo‡	NXT6500	580 cc◆		75 (0.5, 5.2)	1725 (11.9, 119)
Packages Without Data Trak							
24D602	24J092	3.5:1, High-Flo	NXT3400	2000 cc❖	255143 Wall	100 (0.7, 7.0)	350 (2.4, 24)
24D603	24J091	4.5:1, High-Flo	NXT3400	1500 cc❖		100 (0.7, 7.0)	450 (3.1, 31)
24D604	24D598	6:1, Dura-Flo	NXT3400	1000 cc★		100 (0.7, 7.0)	620 (4.3, 43)
24D605	24D599	12:1, Dura-Flo	NXT3400	580 cc◆		100 (0.7, 7.0)	1190 (8.2, 82)
24D608	24D601	10:1, Dura-Flo	NXT6500	1000 cc★		100 (0.7, 7.0)	1180 (8.1, 81)

★ Carbon Steel 1000cc Lower, see **Related Manuals**, page 1.

◆ Dura-Flo Lowers, see **Related Manuals**, page 1.

† Dura-Flo Pumps, see **Related Manuals**, page 1.

\* Two-Ball NXT® 1000cc Pumps, see **Related Manuals**, page 1.

❖ 4-Ball Lowers, see **Related Manuals**, page 1.

‡ MR 4-Ball 3400/1500 and 3400/2000; LR 4-Ball 6500/2000, see **Related Manuals**, page 1.

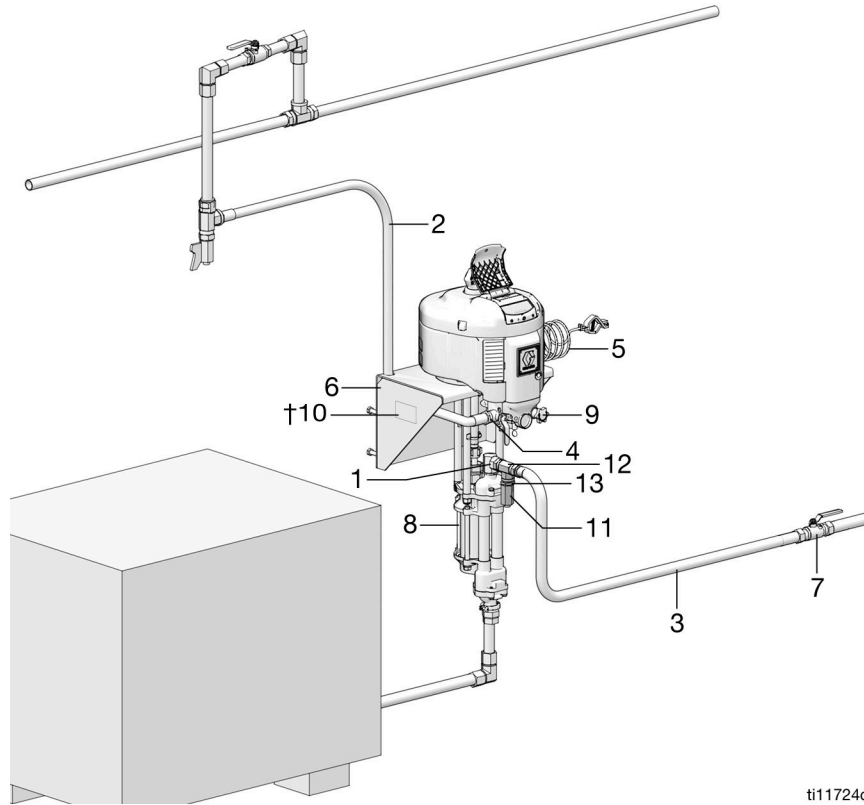
# Recycling and Disposal

## End of Product Life

At the end of a product's useful life, recycle it in a responsible manner.

# Setup and Parts

## Models: 24D602, 24D603 - Wall Mount

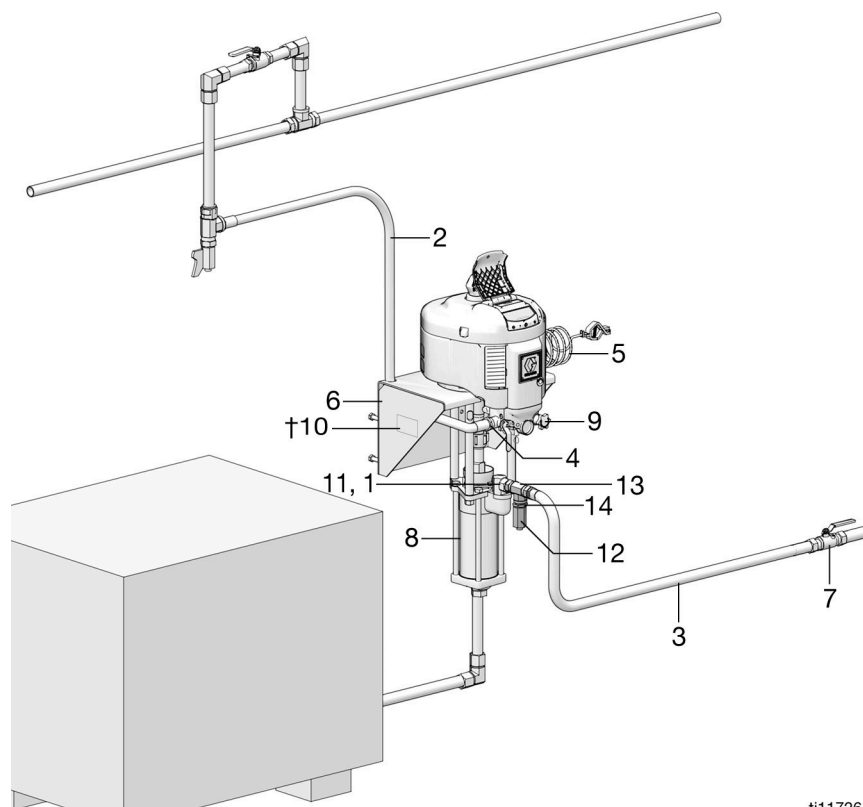


ti11724c

Ref.	Part	Description	Qty
1	102806	FITTING, union, adapter, 90 degree	1
2	15B554	HOSE, air coupled, 48 in.	1
3	115042	HOSE, fluid, coupled, 6 ft	1
4	157785	FITTING, air, swivel	1
5	244524	WIRE, ground, assembly, with clamp	1
6	255143	KIT, bracket, wall mounting	1
7	512152	VALVE, ball, 1 NPT(F)	1
8	24J091	PUMP, MR 4-ball, 3400/1500 (model 24D603)	1
	24J092	PUMP, MR 4-ball, 3400/2000 (model 24D602)	1
9	NXT011	CONTROL, air integrated, locking	1
10†	247887	CE identification label	1
11	112174	VALVE, Thermal relief	1
12	500566	TEE	1
13	C19653	FITTING, bushing	1

† **NOTE:** To comply with CE directives, the CE identification label must be affixed to the wall bracket, as shown. Permanently mark the date of assembly on the label.

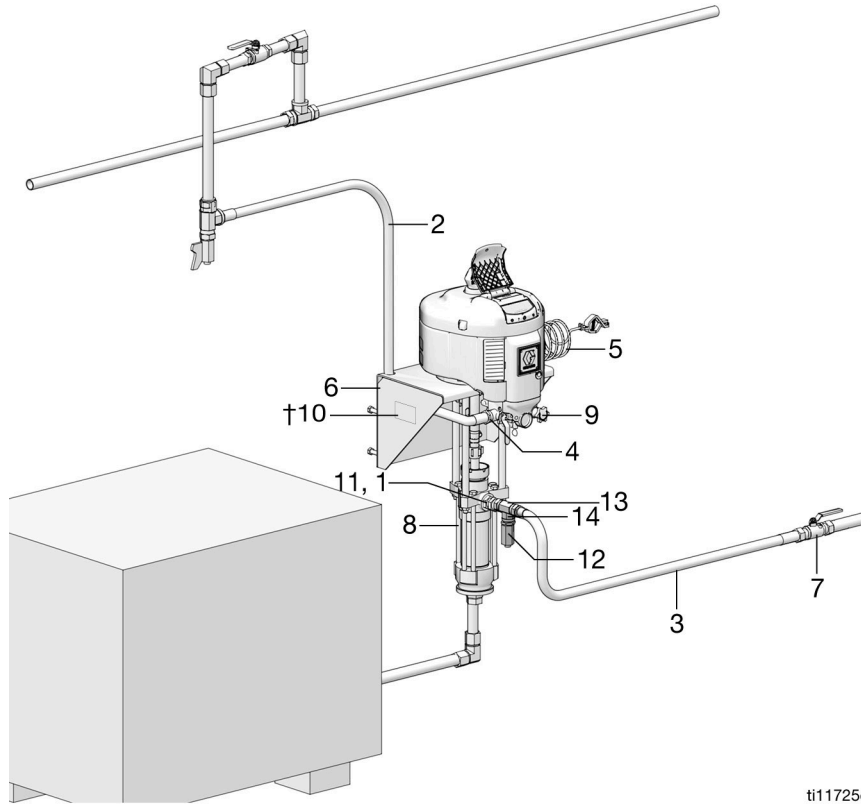
## Models: 247890, 247894, 24D608 - Wall Mount



ti11726c

Ref.	Part	Description	Qty	† NOTE: To comply with CE directives, the CE identification label must be affixed to the wall bracket, as shown. Permanently mark the date of assembly on the label.
1	102806	FITTING, union, adapter, 90 degree	1	
2	15B554	HOSE, air coupled, 48 in.	1	
3	115042	HOSE, fluid, coupled, 6 ft	1	
4	157785	FITTING, air, swivel	1	
5	244524	WIRE, ground, assembly, with clamp	1	
6	255143	KIT, bracket, wall mounting	1	
7	512152	VALVE, ball, 1 NPT(F)	1	
8	P06MCK	PUMP, DURAFLO, 3400/1000 (model 247890)	1	
	24D595	PUMP, Dura-Flo, w/relief valve (model 247894)	1	
	24D601	PUMP, Dura-Flo, w/relief valve (model 24D608)	1	
9	NXT011	CONTROL, air integrated, locking	1	
10†	247887	CE identification label	1	
11	C19668	FITTING, bushing, reducing	1	
12	113053	VALVE, thermal relief (model 247894, 24D608)	1	
	102527	VALVE, thermal relief (model 247890)	1	
13	500566	TEE	1	
14	C19653	FITTING, bushing	1	

## Models: 247891, 247895, 247983, 24D604, 24D605 - Wall Mount



ti11725c

Ref.	Part	Description	Qty	Ref.	Part	Description	Qty
1	160022	FITTING, union, adapter, straight	1		NXT031	CONTROL, air integrated, locking (model 247895)	1
2	15B554	HOSE, air coupled, 48 in.	1	10†	247887	CE identification label	1
3	115042	HOSE, fluid, coupled, 6 ft	1	11	116650	COUPLING, 1 in. x 1 1/2 in.	1
4	157785	FITTING, air, swivel	1	12	113053	VALVE, thermal relief (models 247891 and 24D605)	1
5	244524	WIRE, ground, assembly, with clamp	1		102527	VALVE, thermal relief (model 24D604)	1
6	255143	KIT, bracket, wall mounting	1	13	500566	TEE	1
7	512152	VALVE, ball, 1 NPT(F)	1	14	C19653	FITTING, bushing	1
8	P12MCD	PUMP, Dura-Flo, 3400/580 (model 247891)	1				
	P12MSA	PUMP, Dura-Flo, 3400/580 (model 247983)	1				
	P23MCD	PUMP, Dura-Flo, 6500/580 (model 247895)	1				
	P06LCK	PUMP, Dura-Flo, 3400/1000 (model 24D604)	1				
	P12LCD	PUMP, Dura-Flo, 3400/580 (model 24D605)	1				
9	NXT011	CONTROL, air integrated, locking (models 247891, 247983, 24D604, and 24D605)	1				

† **NOTE:** To comply with CE directives, the CE identification label must be affixed to the wall bracket, as shown. Permanently mark the date of assembly on the label.

# California Proposition 65

CALIFORNIA RESIDENTS

 **WARNING:** Cancer and reproductive harm – [www.P65warnings.ca.gov](http://www.P65warnings.ca.gov).

# Graco Standard Warranty

Graco warrants all equipment referenced in this document which is manufactured by Graco and bearing its name to be free from defects in material and workmanship on the date of sale to the original purchaser for use. With the exception of any special, extended, or limited warranty published by Graco, Graco will, for a period of twelve months from the date of sale, repair or replace any part of the equipment determined by Graco to be defective. This warranty applies only when the equipment is installed, operated and maintained in accordance with Graco's written recommendations.

This warranty does not cover, and Graco shall not be liable for general wear and tear, or any malfunction, damage or wear caused by faulty installation, misapplication, abrasion, corrosion, inadequate or improper maintenance, negligence, accident, tampering, or substitution of non-Graco component parts. Nor shall Graco be liable for malfunction, damage or wear caused by the incompatibility of Graco equipment with structures, accessories, equipment or materials not supplied by Graco, or the improper design, manufacture, installation, operation or maintenance of structures, accessories, equipment or materials not supplied by Graco.

This warranty is conditioned upon the prepaid return of the equipment claimed to be defective to an authorized Graco distributor for verification of the claimed defect. If the claimed defect is verified, Graco will repair or replace free of charge any defective parts. The equipment will be returned to the original purchaser transportation prepaid. If inspection of the equipment does not disclose any defect in material or workmanship, repairs will be made at a reasonable charge, which charges may include the costs of parts, labor, and transportation.

**THIS WARRANTY IS EXCLUSIVE, AND IS IN LIEU OF ANY OTHER WARRANTIES, EXPRESS OR IMPLIED, INCLUDING BUT NOT LIMITED TO WARRANTY OF MERCHANTABILITY OR WARRANTY OF FITNESS FOR A PARTICULAR PURPOSE.**

Graco's sole obligation and buyer's sole remedy for any breach of warranty shall be as set forth above. The buyer agrees that no other remedy (including, but not limited to, incidental or consequential damages for lost profits, lost sales, injury to person or property, or any other incidental or consequential loss) shall be available. Any action for breach of warranty must be brought within two (2) years of the date of sale.

**GRACO MAKES NO WARRANTY, AND DISCLAIMS ALL IMPLIED WARRANTIES OF MERCHANTABILITY AND FITNESS FOR A PARTICULAR PURPOSE, IN CONNECTION WITH ACCESSORIES, EQUIPMENT, MATERIALS OR COMPONENTS SOLD BUT NOT MANUFACTURED BY GRACO.** These items sold, but not manufactured by Graco (such as electric motors, switches, hose, etc.), are subject to the warranty, if any, of their manufacturer. Graco will provide purchaser with reasonable assistance in making any claim for breach of these warranties.

In no event will Graco be liable for indirect, incidental, special or consequential damages resulting from Graco supplying equipment hereunder, or the furnishing, performance, or use of any products or other goods sold hereto, whether due to a breach of contract, breach of warranty, the negligence of Graco, or otherwise.

## **FOR GRACO CANADA CUSTOMERS**

The Parties acknowledge that they have required that the present document, as well as all documents, notices and legal proceedings entered into, given or instituted pursuant hereto or relating directly or indirectly hereto, be drawn up in English. Les parties reconnaissent avoir convenu que la rédaction du présente document sera en Anglais, ainsi que tous documents, avis et procédures judiciaires exécutés, donnés ou intentés, à la suite de ou en rapport, directement ou indirectement, avec les procédures concernées.

# Graco Information

For the latest information about Graco products, visit [www.graco.com](http://www.graco.com).

For patent information, see [www.graco.com/patents](http://www.graco.com/patents).

**TO PLACE AN ORDER**, contact your Graco distributor or call to identify the nearest distributor.

**Toll Free Phone Number:** 1-800-328-0211

*All written and visual data contained in this document reflects the latest product information available at the time of publication. Graco reserves the right to make changes at any time without notice.*

Original instructions. This manual contains English. MM 312862

**Graco Headquarters:** Minneapolis

**International Offices:** Belgium, China, Japan, Korea

**GRACO INC. AND SUBSIDIARIES • P.O. BOX 1441 • MINNEAPOLIS MN 55440-1441 • USA**  
**Copyright 2008, Graco Inc. All Graco manufacturing locations are registered to ISO 9001.**

[www.graco.com](http://www.graco.com)  
Revision J, October 2024