

Instructions

GREASE JOCKEY



5th Wheel Module Kit #563648



Important Safety Instructions

Read all warnings and instructions in this manual. Save these instructions.

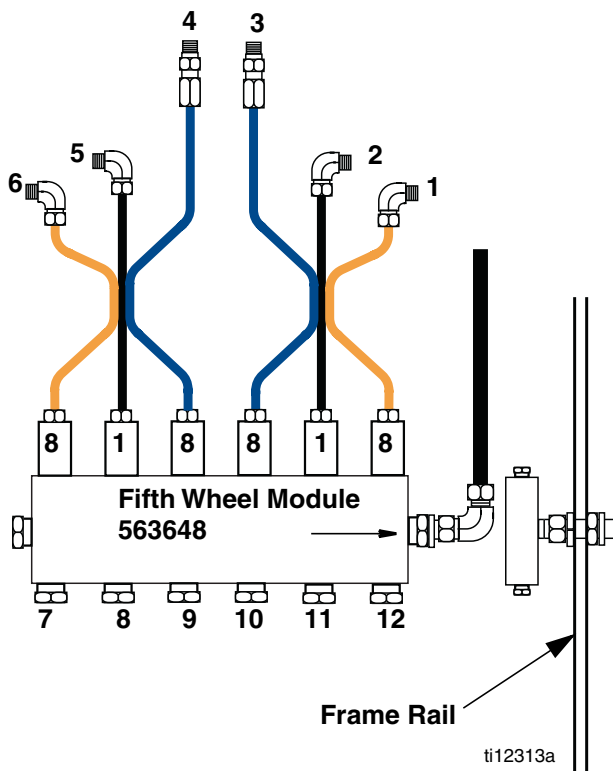
312887B

EN

Bulletin GJ-30005

Typical Layout

Point No.	Description	Meter Size	Tube Color	Bundle & marking	Recommended Fitting P/N
1	FIFTH WHEEL PLATE	8	Orange	3-Tube Unmarked	556638 Elbow
2	FIFTH WHEEL PIVOT	1	Black		556638 Elbow
3	FIFTH WHEEL PLATE	8	Blue		556644 Connector
4	FIFTH WHEEL PLATE	8	Blue	3-Tube Unmarked	556644 Connector
5	FIFTH WHEEL PIVOT	1	Black		556638 Elbow
6	FIFTH WHEEL PLATE	8	Orange		556638 Elbow
7	PLUG				
8	PLUG				
9	PLUG				
10	PLUG				
11	PLUG				
12	PLUG				



Installation Instructions

1. Locate hole or drill and ream a 5/8" hole in 5th wheel frame strap.
2. Mount module through hole on the inside of the frame with lock washer against hex on stud. **Do not over tighten.**
3. Run orange lines to the front of the plate, the blue lines to the rear of the plate and the black lines to the pivot points. If there are more than 2 ports on the pivots, only 2 require auto lube.
4. Make sure the lines do not rub on the 5th wheel or its mounting components; the tubing can be pinched or wear through.
5. The main line connection is through an elbow, 556640, at one end. There may be a plug in the other end, another elbow or a straight fitting to allow grease to the next module.

Graco Information and Warranty

Please contact Graco Customer Service for all inquiries regarding service, replacement parts and warranties.
For the latest information about Graco products, visit www.graco.com

TO PLACE AN ORDER, contact your Graco distributor or call to identify the nearest distributor.
Phone: 612-623-6928 **or Toll Free:** 1-800-533-9655, **Fax:** 612-378-3590

6.

*All written and visual data contained in this document reflects the latest product information available at the time of publication.
Graco reserves the right to make changes at any time without notice.*

This manual contains English. MM 312887 GJ-30005

Graco Headquarters: Minneapolis

International Offices: Belgium, China, Japan, Korea

GRACO INC. P.O. BOX 1441 MINNEAPOLIS, MN 55440-1441

Copyright 2009, Graco Inc. is registered to ISO 9001

www.graco.com

revised March 2017