

Air Valve Repair Kit 257087, 17P717

313757C

- This manual contains kit installation instructions only -

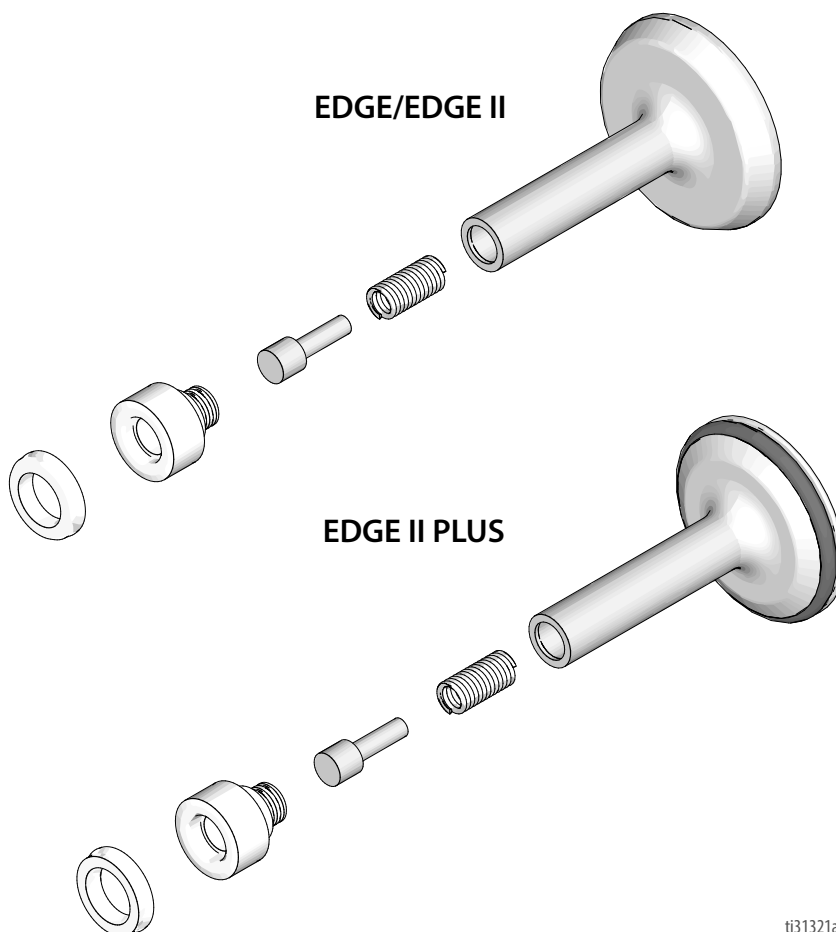
Kit 257087 - For use with Edge and Edge II models

Kit 17P717 - For use with Edge II Plus models

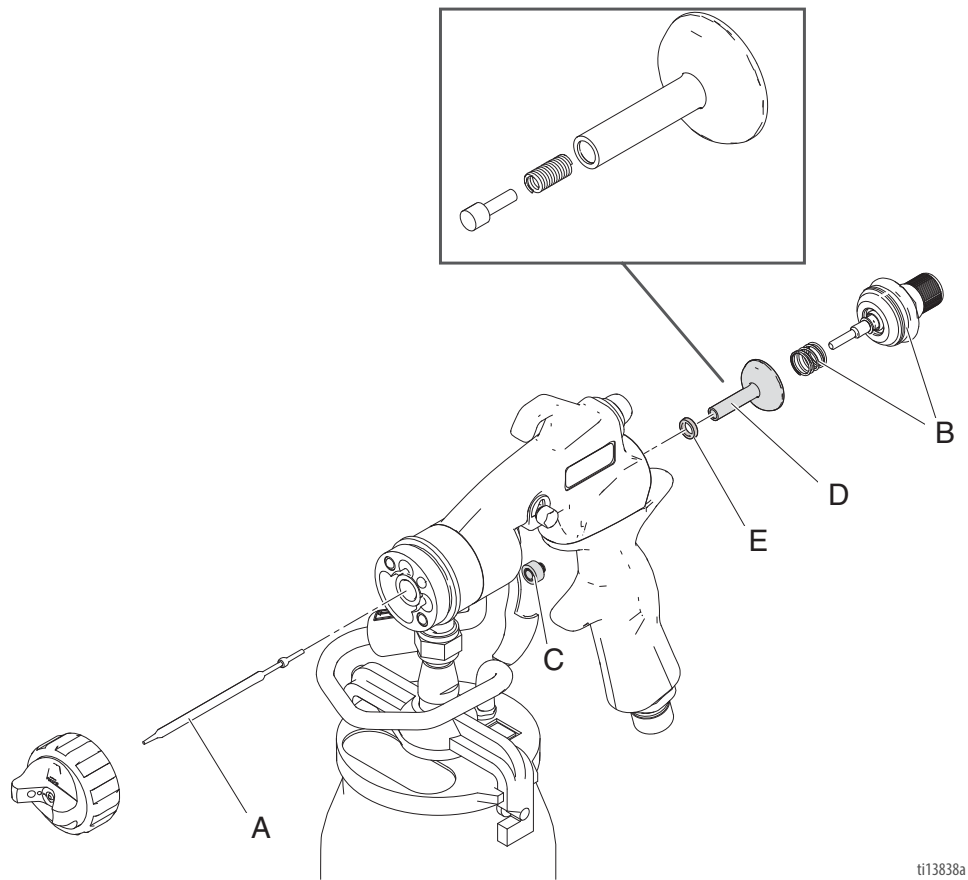


IMPORTANT SAFETY INSTRUCTIONS

For detailed gun information and warnings, see manual included with gun.



ti31321a



ti13838a

1. Remove needle (A).
2. Remove fluid valve and spring (B).
3. Remove brass nut (C) from air valve and remove air valve (D) from gun. Do not lose small pieces in air valve.
4. Replace packing (E).
5. Install new air valve (D).
6. Install brass nut (C) on air valve.
7. Install fluid valve and spring (B).
8. Install needle (A).

All written and visual data contained in this document reflects the latest product information available at the time of publication. Graco reserves the right to make changes at any time without notice.

Original instructions. This manual contains English. MM 313757

Graco Headquarters: Minneapolis

International Offices: Belgium, China, Japan, Korea

GRACO INC. AND SUBSIDIARIES • P.O. BOX 1441 • MINNEAPOLIS MN 55440-1441 • USA
Copyright 2008, Graco Inc. All Graco manufacturing locations are registered to ISO 9001.

www.graco.com

Revision C, April 2017