

Zone Valve Kit

332141D

EN

Used to control when various zones or sections of a lubrication system receive lubricant.
For professional use only.

Part No.:

24P976 - Zone Valve, 24 VDC, NO

24T296 - Zone Valve, 24 VDC, NC

Maximum Working Pressure: 3500 psi (24.1 MPa, 241 bar)

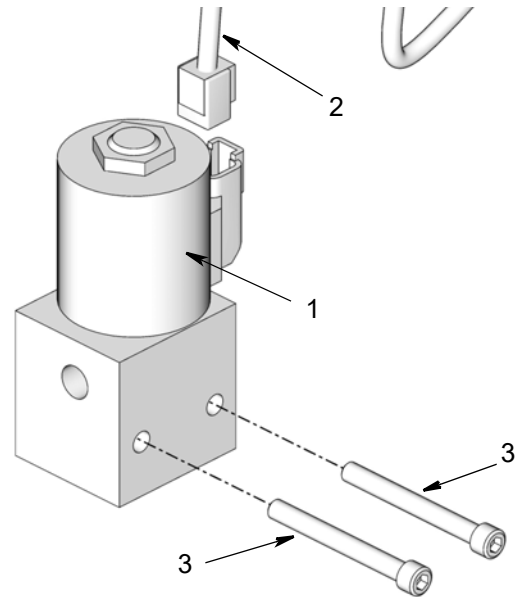


Important Safety Instructions

Read all warnings and instructions in this manual and the pump instruction manual included with your unit. Save all instructions.

NOTICE

All user supplied tubing must be rated for the same pressure or equipment could be damaged.



Kit Parts:

Ref.	Description	24P976		24T296	
		Part No.	Qty.	Part No.	Qty.
1	VALVE, zone, 24 VDC, NO	124575	1	-	-
	VALVE, zone, 24 VDC, NC	-	-	124349	1
2	CABLE, 6 ft, vent valve, 2 pin	24N402	1	24N402	1
3	SCREW, cap, socket	C19817	2	C19817	2

Installation

Pressure Relief Procedure



Follow the Pressure Relief Procedure whenever you see this symbol.



SKIN INJECTION HAZARD

High-pressure fluid from dispense device, hose leaks, or ruptured components will pierce skin. This may look like just a cut, but it is a serious injury that can result in amputation. **Get immediate surgical treatment.**

Follow **Pressure Relief Procedure** in this section, when you stop dispensing and before cleaning, checking, or servicing equipment.

Relieve pressure in system by loosening the fittings at the outlet and inlet of the zone valve.

Assembly



Reference numbers used in the following instructions correspond to parts included in the kit and are provided on page 1.

1. Relieve pressure if unit has already been in service and disconnect power source.
2. Mount the manifold to a fixed surface using mounting holes (a) and two socket screws (3). (FIG. 1)

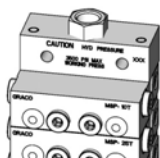
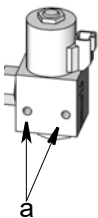


FIG. 1

3. Connect the pressurized supply line (b) to the inlet fitting (c) of the zone valve (marked "I"). Tighten with wrench. (FIG. 2)

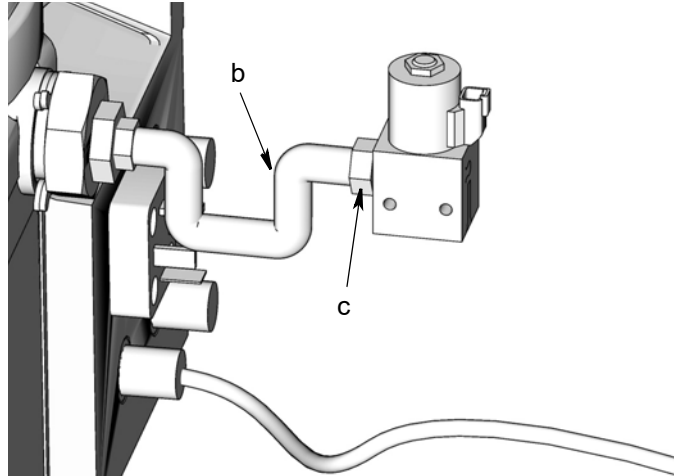


FIG. 2

4. Connect the main tube (d) to the zone valve outlet (e) (stamped with an "O") and the lubricator inlet fitting (f). (FIG. 3)

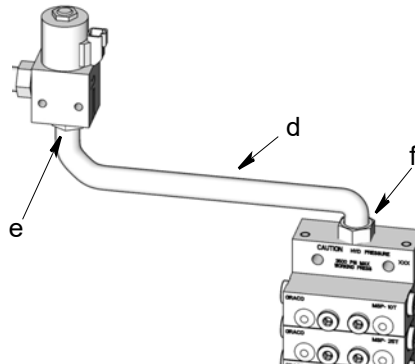


FIG. 3

5. Connect the end of the cable (2) to the lube system controller.
6. Connect cable (2) to the solenoid valve (g). (FIG. 4)

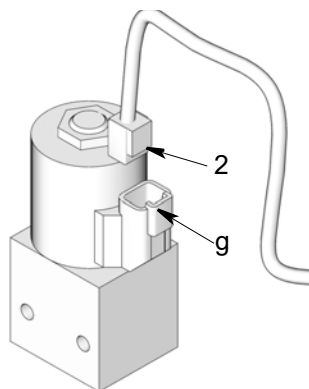


FIG. 4

Normally Open: Model 24P976

The valve must receive power to close the zone, preventing lubricant from flowing into the lube system metering device.

Normally Closed: Model 24T296

The valve must receive power to open the zone to allow lubricant to flow into the lube system metering device.

Retrofitting - Existing Installations



NOTE: These instructions assume grease is already loaded in the lubrication system

Installation

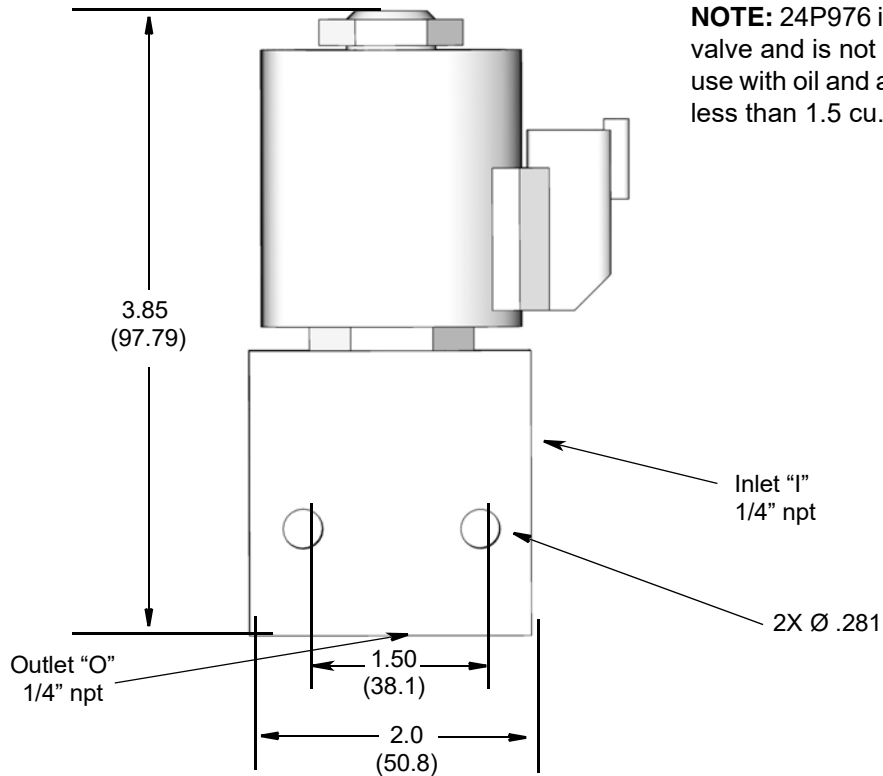
1. Disconnect power source.
2. Relieve pressure, page 2.
3. Remove existing plumbing installed between pressure supply and lubricator inlet.
4. Continue installation following Assembly Instructions, Steps 2 - 6, on pages 2 - 3.

Technical Data

Zone Valve Kit	US	Metric
	Maximum Operating Pressure	3500 psi
Temperature Range	-40°F to 250°F	-40°C to 120°C
Voltage	24 VDC	
Current	0.8 Amp	
Power	18.2 Watt	
Inlet/Outlet	1/4 in. npt	
Wetted Parts	Carbon Steel, Buna-N rubber	
Recommended Fluids	Grease N.L.G.I. grades #000 - #2	
Dimensions	See below	
Electrical Connections	Deutsch DT Series 2 Pin	
Ratings	IP69K	

Dimensions

inches (mm)



NOTE: 24P976 is a normally closed valve and is not recommended for use with oil and a pump that outputs less than 1.5 cu. in./min.

All written and visual data contained in this document reflects the latest product information available at the time of publication. Graco reserves the right to make changes at any time without notice.

For patent information, see www.graco.com/patents

Original instructions. This manual contains English. MM 332141

Graco Headquarters: Minneapolis

International Offices: Belgium, China, Japan, Korea

GRACO INC. P.O. BOX 1441 MINNEAPOLIS, MN 55440-1441

Copyright 2013, Graco Inc. is registered to ISO 9001

www.graco.com

Revised November 2020