

Pressurized Bead Tank Kit for use with LineLazer IV 250SPS / 250DC

332225E

EN

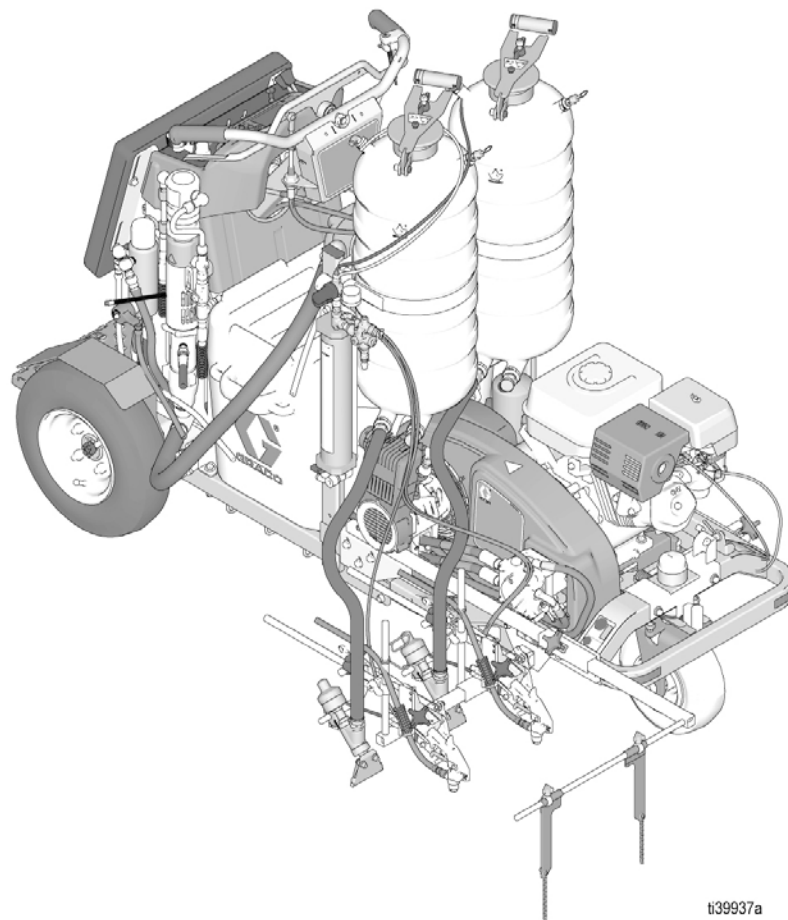
For professional use only.

Model 16U439



Important Safety Instructions

Read all warnings and instructions in the Bead System and Striper Manual. Be familiar with the controls and the proper usage of the equipment. Save these instructions.



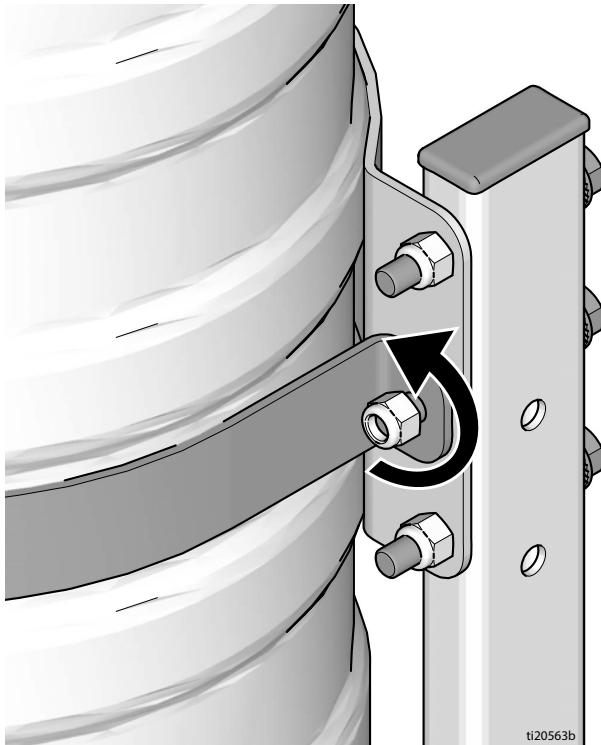
Tools Needed:

Tools Needed:

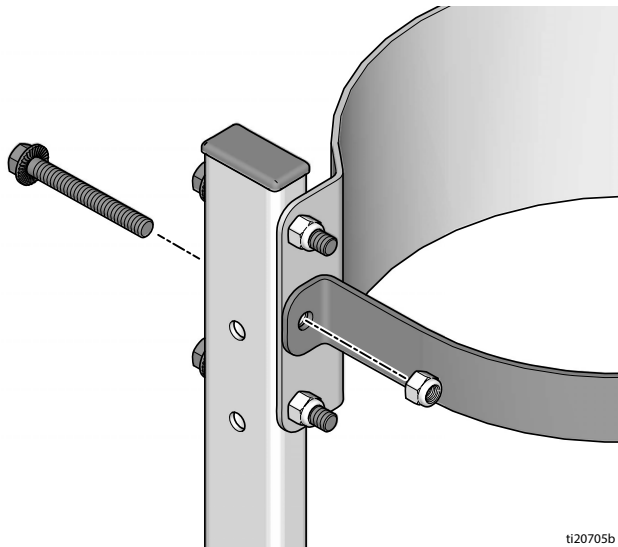
- 3/16 in. Allen Wrench
- 1/2 in. Wrench
- 5/8 in. Wrench
- 9/16 in. Wrench
- 11/16 in. Wrench
- 3/4 in. Wrench
- 8 in. Adjustable Wrench

Secondary Bead Tank

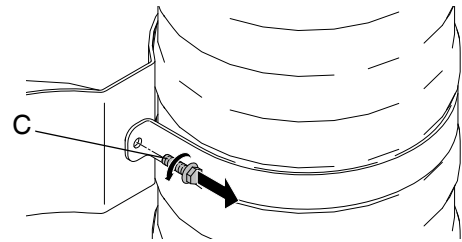
1. Remove any beads in existing bead tank. Release all pressure on unit.
2. Loosen (but do not remove) 3 in. bolt (A) that holds first tank to frame.



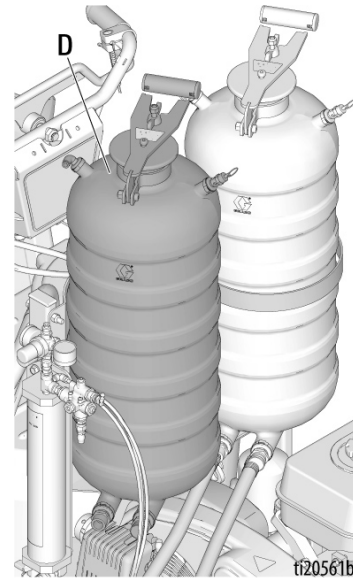
3. Remove 3 in. bolt (B) on opposite side.



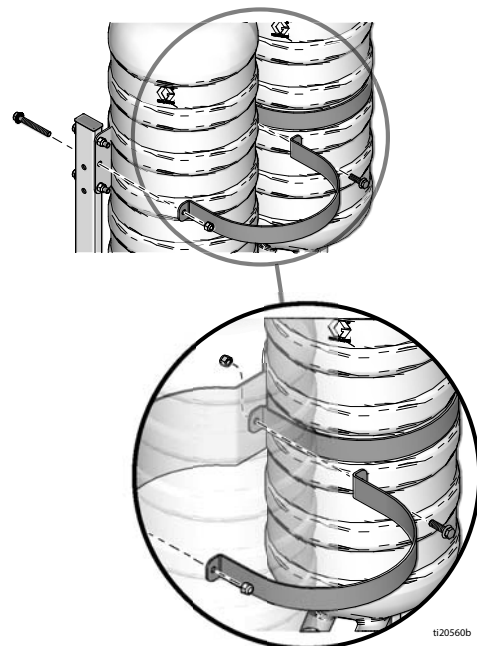
4. Remove 1.25 in. bolt (C) from center strap mounting hole. **NOTE:** The bolt will be used to secure both straps once the second bead tank is in place.



5. Place second bead tank (D) on supporting base with outlet fittings facing compressor.

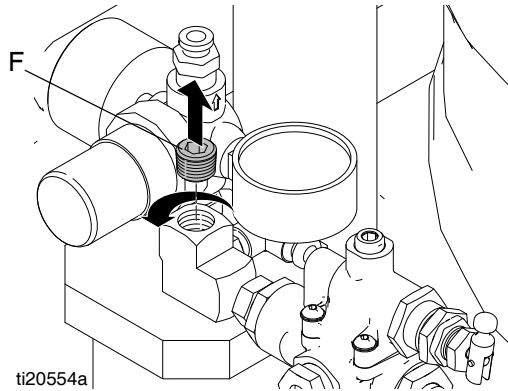


6. Place clamping band (E) around tank and secure with hardware from frame.

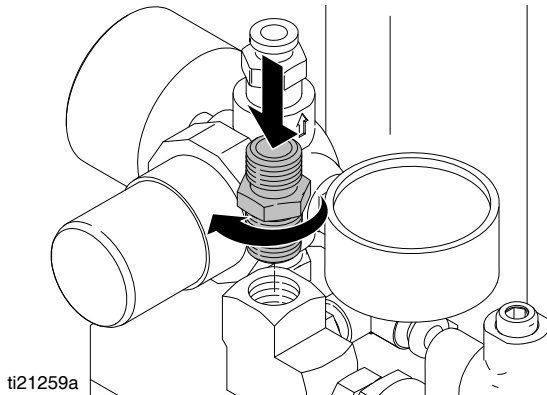


Secondary Bead Tank

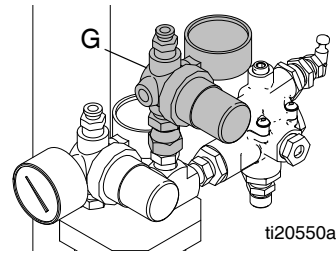
- Place clamping band around tank and secure with mounting hardware shown below. Tighten both tanks until there is no movement between clamps and bead tanks. **NOTE:** The flats on the clamp are not intended to touch when tank bracket is tightened.
- To install secondary regulator, remove 1/4 in. NPT plug (F) from air tank assembly.



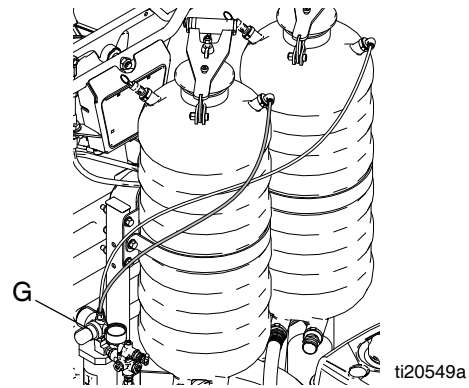
- Apply thread sealant and install nipple fitting.



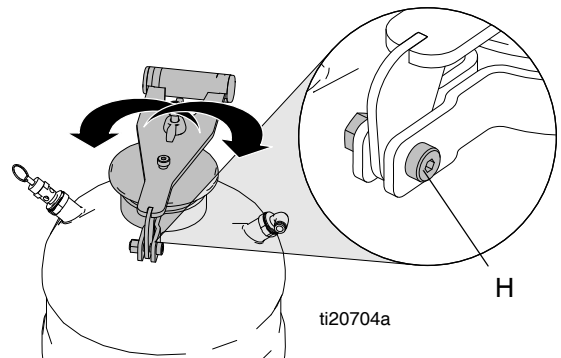
- Use wrench to install second regulator assembly (G) and position as shown below.



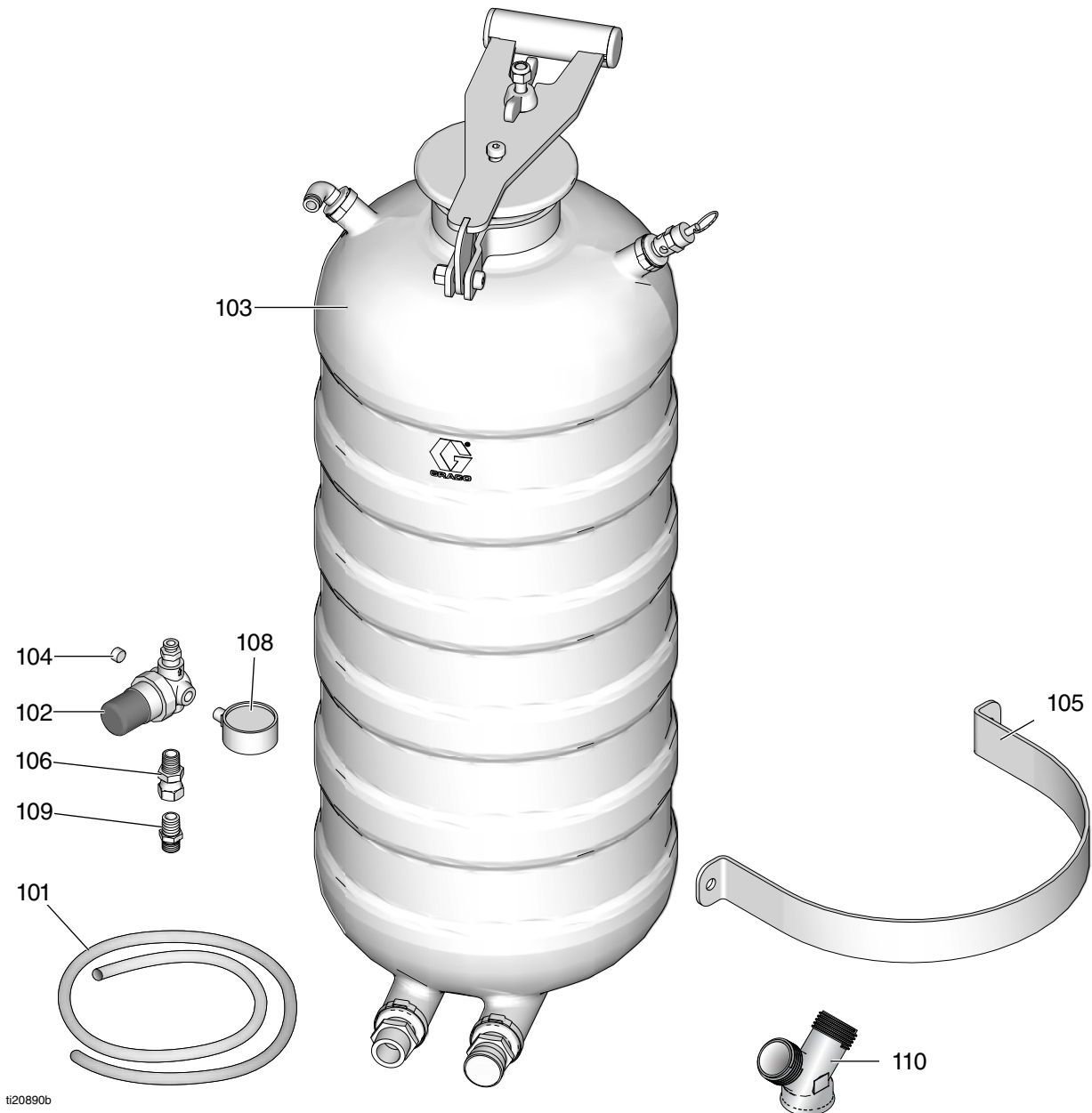
- Install 36 in. nylon air line from top of second regulator (G) to swivel fitting on top of second bead tank. Push airline into each fitting as shown.



- Position handle to best suit filling needs. **NOTE:** Loosen bolt (H) to help swivel, then re-tighten.



Parts - Second Bead Tank



t120890b

Parts List - Second Bead Tank

Ref.	Part	Description	Qty.	Ref.	Part	Description	Qty.
101	16U273	HOSE, pneumatic	1	106	156823	FITTING, union, swivel	1
102	16U375	REGULATOR	1	107	119400	SEALANT, pipe, sst	1
103	24V582	TANK, bead	1	108	104655	GAUGE, press, air	1
104	104765	PLUG, pipe, headless	1	109	162453	FITTING	1
105	16T580	BAND, clamping, bead hopper	1	110	M71548	FITTING, connector, "Y"	1

Graco Standard Warranty

Graco warrants all equipment referenced in this document which is manufactured by Graco and bearing its name to be free from defects in material and workmanship on the date of sale to the original purchaser for use. With the exception of any special, extended, or limited warranty published by Graco, Graco will, for a period of twelve months from the date of sale, repair or replace any part of the equipment determined by Graco to be defective. This warranty applies only when the equipment is installed, operated and maintained in accordance with Graco's written recommendations.

This warranty does not cover, and Graco shall not be liable for general wear and tear, or any malfunction, damage or wear caused by faulty installation, misapplication, abrasion, corrosion, inadequate or improper maintenance, negligence, accident, tampering, or substitution of non-Graco component parts. Nor shall Graco be liable for malfunction, damage or wear caused by the incompatibility of Graco equipment with structures, accessories, equipment or materials not supplied by Graco, or the improper design, manufacture, installation, operation or maintenance of structures, accessories, equipment or materials not supplied by Graco.

This warranty is conditioned upon the prepaid return of the equipment claimed to be defective to an authorized Graco distributor for verification of the claimed defect. If the claimed defect is verified, Graco will repair or replace free of charge any defective parts. The equipment will be returned to the original purchaser transportation prepaid. If inspection of the equipment does not disclose any defect in material or workmanship, repairs will be made at a reasonable charge, which charges may include the costs of parts, labor, and transportation.

THIS WARRANTY IS EXCLUSIVE, AND IS IN LIEU OF ANY OTHER WARRANTIES, EXPRESS OR IMPLIED, INCLUDING BUT NOT LIMITED TO WARRANTY OF MERCHANTABILITY OR WARRANTY OF FITNESS FOR A PARTICULAR PURPOSE.

Graco's sole obligation and buyer's sole remedy for any breach of warranty shall be as set forth above. The buyer agrees that no other remedy (including, but not limited to, incidental or consequential damages for lost profits, lost sales, injury to person or property, or any other incidental or consequential loss) shall be available. Any action for breach of warranty must be brought within two (2) years of the date of sale.

GRACO MAKES NO WARRANTY, AND DISCLAIMS ALL IMPLIED WARRANTIES OF MERCHANTABILITY AND FITNESS FOR A PARTICULAR PURPOSE, IN CONNECTION WITH ACCESSORIES, EQUIPMENT, MATERIALS OR COMPONENTS SOLD BUT NOT MANUFACTURED BY GRACO. These items sold, but not manufactured by Graco (such as electric motors, switches, hose, etc.), are subject to the warranty, if any, of their manufacturer. Graco will provide purchaser with reasonable assistance in making any claim for breach of these warranties.

In no event will Graco be liable for indirect, incidental, special or consequential damages resulting from Graco supplying equipment hereunder, or the furnishing, performance, or use of any products or other goods sold hereto, whether due to a breach of contract, breach of warranty, the negligence of Graco, or otherwise.

FOR GRACO CANADA CUSTOMERS

The Parties acknowledge that they have required that the present document, as well as all documents, notices and legal proceedings entered into, given or instituted pursuant hereto or relating directly or indirectly hereto, be drawn up in English. Les parties reconnaissent avoir convenu que la rédaction du présente document sera en Anglais, ainsi que tous documents, avis et procédures judiciaires exécutés, donnés ou intentés, à la suite de ou en rapport, directement ou indirectement, avec les procédures concernées.

Graco Information

For the latest information about Graco products, visit www.graco.com.

For patent information, see www.graco.com/patents.

TO PLACE AN ORDER, contact your Graco distributor or call 1-800-690-2894 to identify the nearest distributor.

*All written and visual data contained in this document reflects the latest product information available at the time of publication.
Graco reserves the right to make changes at any time without notice.*

For patent information, see www.graco.com/patents.

Original instructions. This manual contains English. MM 332225

Graco Headquarters: Minneapolis
International Offices: Belgium, China, Japan, Korea

GRACO INC. AND SUBSIDIARIES • P.O. BOX 1441 • MINNEAPOLIS MN 55440-1441 • USA

Copyright 2013, Graco Inc. All Graco manufacturing locations are registered to ISO 9001.

www.graco.com

Revision E, June 2021