

Hopper Installation Kit

333267A

EN

For gravity feeding material to Electric High Pressure Airless Sprayers.

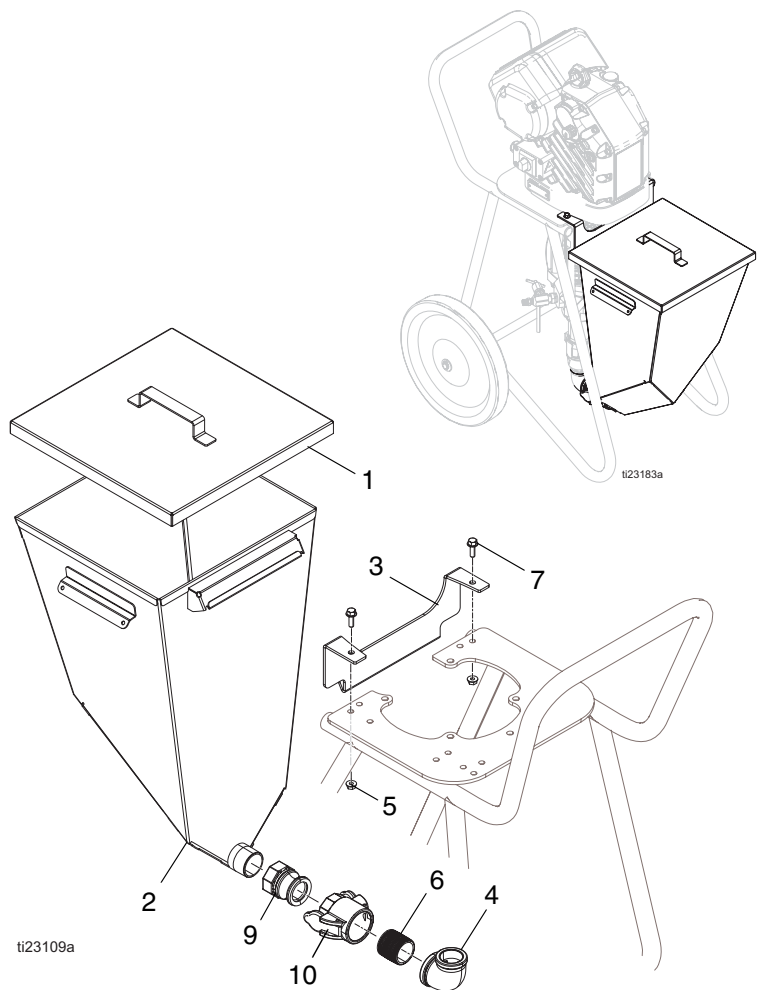


Important Safety Instructions

Read all warnings and instructions in the Electric High Pressure Airless Sprayer sprayer manual 333208 or 333235. Save all instructions.

24V083 - Hopper Kit

Ref. Part	Description	Qty.
1	16U537 COVER	1
2	16U536 HOPPER	1
3	24V499 BRACKET, mount, hopper (Includes items 5 and 7)	1
4	126939 FITTING, elbow, 90, female, reducing	1
5	15U697 NUT, hex, flange, serrated	2
6	108209 NIPPLE, pipe close	1
7	114193 SCREW, mach, hex wash hd	2
8	110110 SEALANT, pipe, sst (not shown)	1
9	120307 FITTING, hose adapter, male	1
10	120308 FITTING, hose adapter, female	1



*All written and visual data contained in this document reflects the latest product information available at the time of publication.
Graco reserves the right to make changes at any time without notice.*

This manual contains English. MM 333267

Graco Headquarters: Minneapolis

International Offices: Belgium, China, Japan, Korea

GRACO INC. P.O. BOX 1441 MINNEAPOLIS, MN 55440-1441

Copyright 2009, Graco Inc. is registered to ISO 9001

www.graco.com

Revision A - August 2014