

**695 / 795 / 1095 / Mark IV / Mark V / Mark VII / Mark X  
Electric Airless Sprayers**

**333281D**

EN

*For Portable Airless Spraying of Architectural Coatings and Paints.*

*For professional use only. Not approved for use in European explosive atmosphere locations.*

3300 psi (227 bar, 22.7 MPa) Maximum Working Pressure



**Important Safety Instructions**

Read all warnings and instructions in this manual. Be familiar with the controls and the proper usage of the equipment. Save these instructions.

**Related Manuals:**



332916



309495

308491

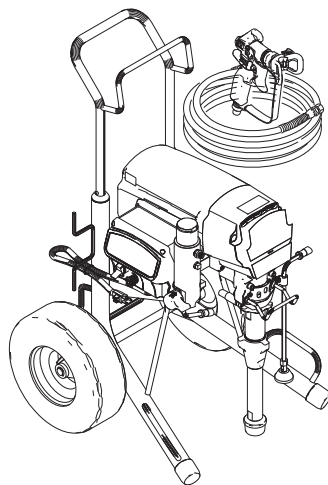
311861

311254

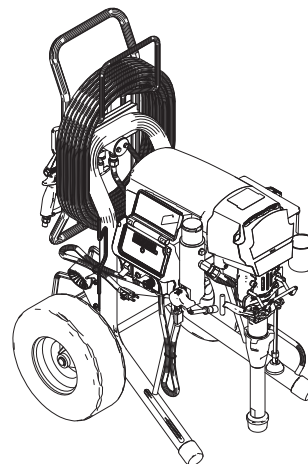


333028

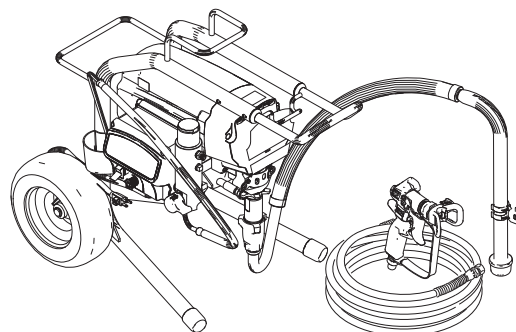
332922



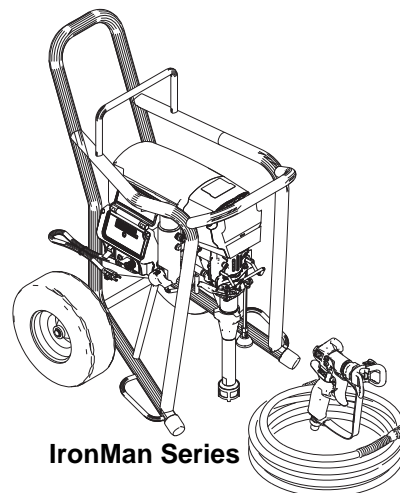
**Standard Hi-Boy Series**



**ProContractor Series**



**Standard Lo-Boy Series**



**IronMan Series**

ti22882a



# Models

<b>695 Ultra Max, Standard, ProContractor, IronMan Models</b>					
<b>Model</b>	<b>Voltage</b>	<b>Standard Hi-Boy</b>	<b>Standard Lo-Boy</b>	<b>ProContractor</b>	<b>IronMan</b>
16X656	230	X			
16X657	230	X			
16X658	120	X			
16X659	120	X			
16X660	230	X			
16X811	120		X		
16X812	230		X		
16Y635	230			X	
16Y637	230			X	
16Y638	120			X	
16Y639	230			X	

<b>795 Ultra Max, Standard, ProContractor, IronMan Models</b>					
<b>Model</b>	<b>Voltage</b>	<b>Standard Hi-Boy</b>	<b>Standard Lo-Boy</b>	<b>ProContractor</b>	<b>IronMan</b>
16X813	230		X		
16X870	230	X			
16X871	230	X			
16X872	120	X			
16X873	230	X			
16Y895	230			X	
16Y896	230			X	
16Y897	230			X	
16Y898	120			X	
16Y899	120			X	

<b>1095 Ultra Max, Standard, ProContractor, IronMan Models</b>					
<b>Model</b>	<b>Voltage</b>	<b>Standard Hi-Boy</b>	<b>Standard Lo-Boy</b>	<b>ProContractor</b>	<b>IronMan</b>
16X874	230	X			
16X875	230	X			
16X881	230	X			
16X882	120	X			
16Y829	230			X	
16Y830	230			X	
16Y831	120			X	
16Y832	230			X	
16Y833	120			X	
16Y869	230				X
16Y871	230				X

Mark IV/Mark V/Mark VII/Mark X Standard, ProContractor, IronMan Models												
Model #	Model	Voltage	Standard Hi-Boy	Pro-Contractor	IronMan	Flex Plus Gun	Blue Texture Gun	HD Inline Texture Gun	3/8in x 50ft + 1/4in x 3ft whip (9.5mm x 15m + 6.4mm x 0.9m whip)	3/8in x 100ft + 1/4in x 3ft whip (9.5mm x 30m + 6.4mm x 0.9m whip)	1/2in x 50ft + 3/8in x 12ft whip (12.7mm x 15m + 9.5mm x 3.7m whip)	1/2in x 100ft + 3/8in x 12ft whip (12.7mm x 30m + 9.5mm x 3.7m whip)
16X953	Mark IV	230	X			X			X			
16X954	Mark IV	230	X			X			X			
16X956	Mark IV	230	X			X			X			
16Y892	Mark IV	230		X		X				X		
16Y893	Mark IV	230		X		X				X		
16Y894	Mark IV	230		X		X				X		
16X944	Mark V	230	X				X		X			
16X947	Mark V	120			X		X			X		
16X965	Mark V	230	X				X		X			
16X966	Mark V	120	X				X		X			
16X967	Mark V	230	X				X		X			
16Y864	Mark V	230		X			X			X		
16Y865	Mark V	230		X			X			X		
16Y866	Mark V	120		X			X			X		
16Y867	Mark V	230		X			X			X		
16Y868	Mark V	120		X			X			X		
16Y872	Mark V	230			X		X			X		
16X948	Mark V	230			X		X			X		
16Y874	Mark V	230			X		X			X		
16Y763	Mark VII	230	X					X			X	
16Y919	Mark VII	230	X					X			X	
16Y920	Mark VII	230		X				X				X
16Y921	Mark VII	230		X				X				X
16Y534	Mark X	230	X					X			X	
16Y535	Mark X	230	X					X			X	
16Y536	Mark X	230	X					X			X	
16Y910	Mark X	230		X				X				X
16Y912	Mark X	230		X				X				X
16Y913	Mark X	230		X				X				X

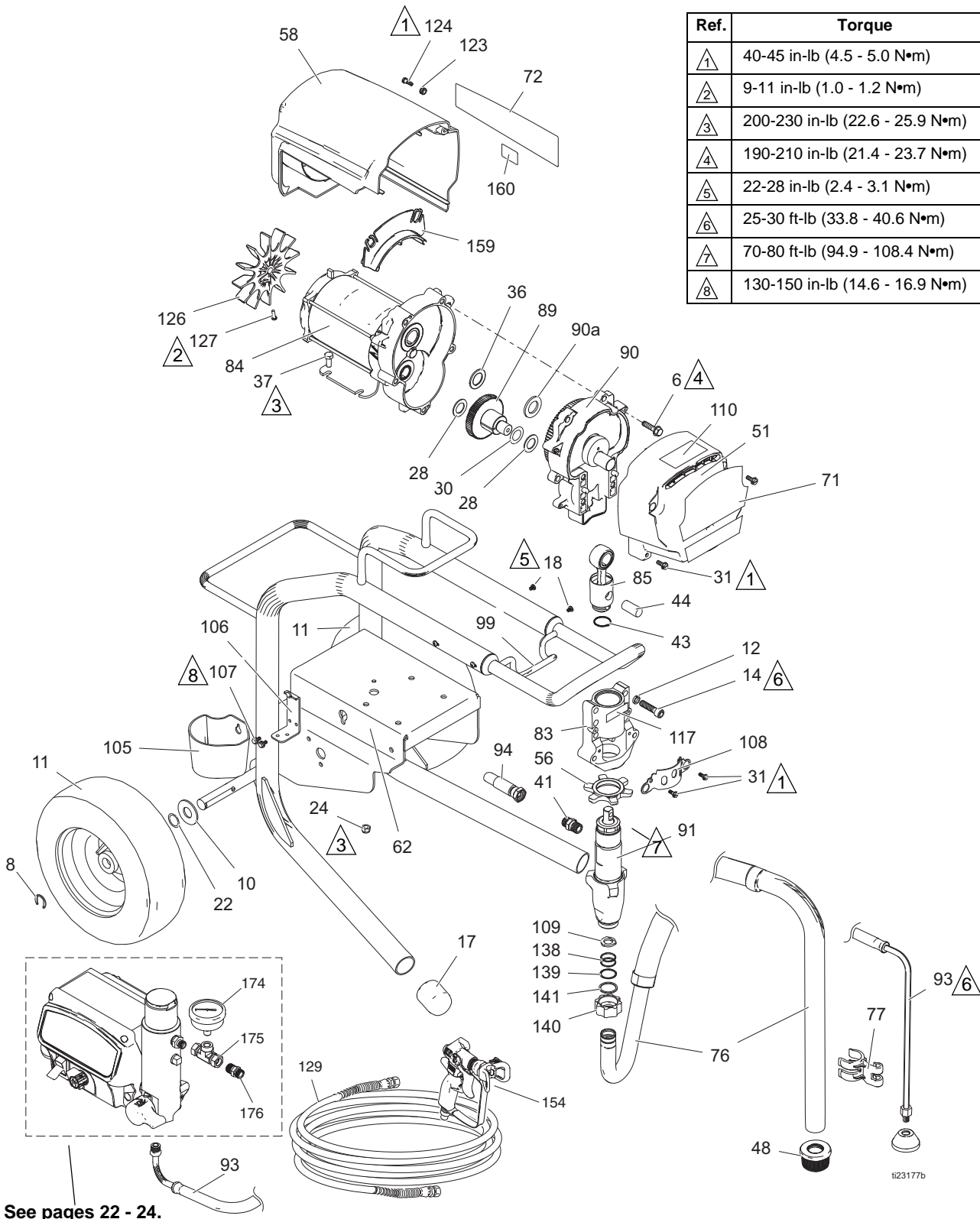
# Table of Contents

<b>Models</b> .....	<b>2</b>	<b>1095/MARK V/Mark VII ProContractor</b> .....	<b>16</b>
<b>Table of Contents</b> .....	<b>4</b>	1095/MARK V/Mark VII ProContractor Parts List	17
<b>Notes</b> .....	<b>5</b>	<b>Mark X ProContractor</b> .....	<b>18</b>
<b>695/795 Lo-Boy Standard</b> .....	<b>6</b>	Mark X ProContractor .....	19
695/795 Lo-Boy Standard Parts List .....	7	<b>1095/Mark V IronMan</b> .....	<b>20</b>
<b>695/795/Mark IV Hi-Boy Standard</b> .....	<b>8</b>	1095/Mark V IronMan .....	21
695/795/Mark IV Hi-Boy Standard Parts List ...	9	<b>Control Box</b> .....	<b>22</b>
<b>1095/Mark V/Mark VII Hi-Boy Standard</b> .....	<b>10</b>	Parts List .....	23
1095/Mark V/Mark VII Hi-Boy Standard .....	11	<b>Filter</b> .....	<b>24</b>
<b>Mark X Standard</b> .....	<b>12</b>	Parts List .....	24
Mark X Standard Parts List .....	13	<b>Hose Reel and Gun</b> .....	<b>25</b>
<b>695/795/MARK IV ProContractor</b> .....	<b>14</b>	Parts List .....	25
695/795/MARK IV ProContractor Parts List ...	15	<b>Graco Standard Warranty</b> .....	<b>26</b>



# 695/795 Lo-Boy Standard

Ref.	Torque
1	40-45 in-lb (4.5 - 5.0 N•m)
2	9-11 in-lb (1.0 - 1.2 N•m)
3	200-230 in-lb (22.6 - 25.9 N•m)
4	190-210 in-lb (21.4 - 23.7 N•m)
5	22-28 in-lb (2.4 - 3.1 N•m)
6	25-30 ft-lb (33.8 - 40.6 N•m)
7	70-80 ft-lb (94.9 - 108.4 N•m)
8	130-150 in-lb (14.6 - 16.9 N•m)



See pages 22 - 24.

## 695/795 Lo-Boy Standard Parts List

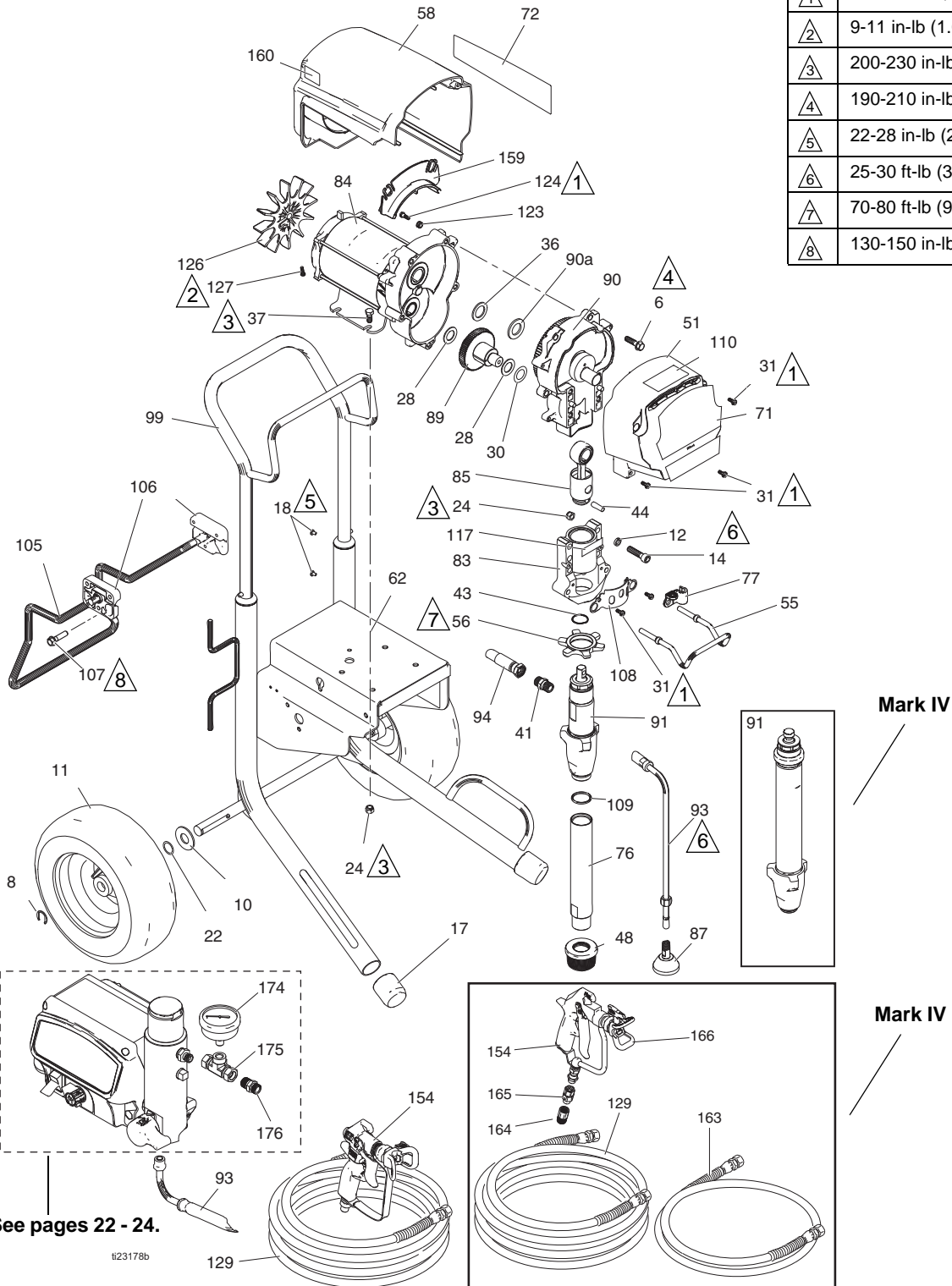
Ref.	Part	Description	Qty.	Ref.	Part	Description	Qty.
6	15C753	SCREW, mach, torx, hex	5	85	241008	ROD, connecting; <i>includes 43</i>	1
8	15E891	CLIP, retaining	2	87	241920	DEFLECTOR, threaded	1
10	156306	WASHER, flat	2	89	287289	GEAR, combination; <i>includes 28, 30</i>	1
11*	119420	WHEEL, pneumatic	2				
12	106115	WASH, lock, spring	4	90	287283	HOUSING, drive, M1; <i>includes 6, 36, 90a</i>	1
14	110141	SCREW, cap, socket hd	4				
17	15C871	CAP, leg	2	90a	107089	WASHER, race, thrust	1
18	109032	SCREW, mach, pnh	4	91	16Y598	PUMP, displacement 695/795	1
22	116038	WASHER, wave spring	2	93	248217	HOSE, drain; <i>includes 87</i>	1
24	111040	NUT, hex, flanged	4	94	16X904	HOSE, coupled, 1/4 x 15.75	1
28	114672	WASHER, thrust	2	99	24A249	HANDLE, cart	1
30	114699	WASHER, thrust	1	105	276975	CUP, drain	1
31	118444	SCREW, machine, hex washer hd	6	106	15F952	BRACKET, drain cup	1
36	116191	WASHER, thrust	1	107	114423	SCREW, mach, hex hd	2
37	100057	SCREW, cap, hex hd	4	108	16X770	SHIELD, pump rod	1
41	196178	FITTING	1	109	115099	WASHER, garden hose	1
43	176817	SPRING, retaining	1	110	16X983	LABEL, standard series	1
44	176818	PIN, str, hdls	1	117	187437	LABEL, torque	1
48	189920	STRAINER, (1-11 1/2 NPSM)	1	123	276980	GROMMET, cover	2
51	24V023	COVER, drive, plastic, painted; <i>includes 31</i>	1	124	119250	SCREW, shoulder, hex washer	2
				126	15D088	FAN, motor	1
56	192723	NUT, retaining	1	127	115477	SCREW, mach, torx, pan hd	1
58	287281	695 SHIELD, motor, painted; <i>includes 123, 124</i>	1	128▲	222385	TAG, WARNING (not shown)	1
				129	240794	HOSE, cpld, 1/4 in. x 50 ft	1
62	24Y424	FRAME, cart	1	138	117559	O-RING	2
71		LABEL	1	139	118505	RING, retaining, external	1
	16X364	695		140	15C980	NUT, jam	1
	16X367	795		141	15C981	WASHER, suction swivel	1
72		LABEL	1	154	288420	GUN, contractor	1
	16X365	695		159	278075	BAFFLE	1
	16X366	795		160	15Y118	LABEL, Made in USA	1
76	248216	HOSE, suction; <i>includes 109, 138, 139, 140, 141</i>	1	174	115523	GAUGE, pressure	1
77	15D000	CLIP, drain line	1	175	119783	FITTING, tee swivel	1
83	24V026	HOUSING, bearing; <i>includes 12, 14, 31, 108, 117</i>	1	176	162453	FITTING	1
84	257185	MOTOR, electric; <i>includes 126, 127</i>	1				

\* 253132 KIT, repair, tube, 11 in.

▲Extra Danger & Warning tags & labels available free.

# 695/795/Mark IV Hi-Boy Standard

Ref.	Torque
△1	40-45 in-lb (4.5 - 5.0 N•m)
△2	9-11 in-lb (1.0 - 1.2 N•m)
△3	200-230 in-lb (22.6 - 25.9 N•m)
△4	190-210 in-lb (21.4 - 23.7 N•m)
△5	22-28 in-lb (2.4 - 3.1 N•m)
△6	25-30 ft-lb (33.8 - 40.6 N•m)
△7	70-80 ft-lb (94.9 - 108.4 N•m)
△8	130-150 in-lb (14.6 - 16.9 N•m)



695/795

t23178b



## 695/795/Mark IV Hi-Boy Standard Parts List

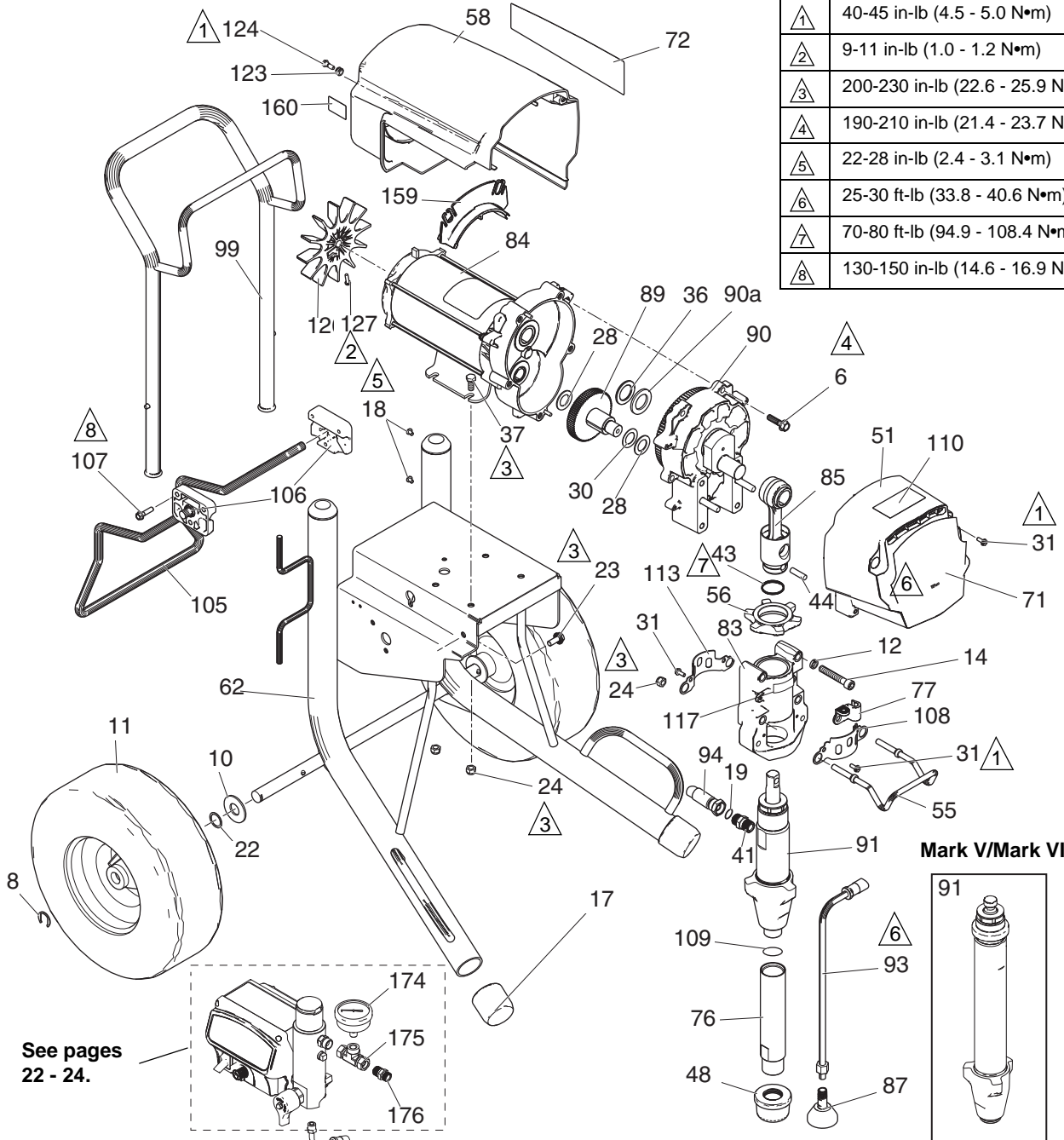
Ref.	Part	Description	Qty.	Ref.	Part	Description	Qty.
6	15C753	SCREW, mach, torx, hex	5		287284	795	
8	15E891	CLIP, retaining	2	90a	107089	WASHER, race, thrust	1
10	156306	WASHER, flat	2	91		PUMP, displacement;	1
11*	119420	WHEEL, pneumatic	2			<i>includes 41, 109</i>	
12	106115	WASH, lock, spring	4		16Y598	695/795	
14	110141	SCREW, cap, socket hd	4		16X428	Mark IV	
17	15C871	CAP, leg	2	93	244240	HOSE, coupled; <i>includes 87</i>	1
18	109032	SCREW, mach, pnh	4	94	16X904	HOSE, coupled, 1/4 x 15.75	1
22	116038	WASHER, wave spring	2	99	287489	HANDLE, cart	1
24	111040	NUT, hex, flanged	6	105	16X695	HANGER, stand, cart	1
28	114672	WASHER, thrust	2	106	15C982	CAM, cart	2
30	114699	WASHER, thrust	1	107	114531	SCREW, mach, hex washer	4
31	118444	SCREW, machine, hex washer hd	6	108	16X770	SHIELD, pump rod	1
36	116191	WASHER, thrust	1	109	118494	PACKING, o-ring	1
37	100057	SCREW, cap, hex hd	4	110	16X983	LABEL, standard series	1
41	196178	FITTING	1	117	187437	LABEL, torque	1
43	176817	SPRING, retaining	1	123	276980	GROMMET, cover	2
44	176818	PIN, str, hdls	1	124	119250	SCREW, shoulder, hex, washer	2
48	189920	STRAINER, (1-11 1/2 NPSM)	1	126	15D088	FAN, motor	1
51	24V023	COVER, drive, plastic, painted;	1	127	115477	SCREW, mach, torx, pan, hd	1
		<i>includes 31</i>		128▲	222385	TAG, WARNING (not shown)	1
55	16C457	HANGER, pail	1	129		HOSE, cpld	1
56	192723	NUT, retaining	1		240794	695/795	
58		SHIELD, motor, painted;	1		240797	Mark IV	
		<i>includes 123, 124</i>		154		GUN, contractor	1
	287281	695/Mark IV			288420	695/795	
	287282	795			246468	Mark IV	
62	24Y429	FRAME, cart	1	159	278075	BAFFLE	1
71		LABEL	1	160	15Y118	LABEL, Made in USA	1
	16X364	Ultra 695		163	241735	HOSE, coupled, 1/4 in. x 3 ft	1
	16X367	Ultra 795		164	159841	BUSHING, 3/8 in. x 1/4 in.	1
	16X357	TexSpray Mark IV		165	189018	SWIVEL, assembly	1
72		LABEL	1	166	246215	GUARD, RAC X	1
	16X365	Ultra 695		174	115523	GAUGE, pressure	1
	16X366	Ultra 795		175		FITTING, tee swivel	1
	16X354	TexSpray Mark IV			119783	695/795	
76	248214	TUBE, intake; <i>includes 109</i>	1		127518	Mark IV	
77	278204	CLIP, spring	1	176		FITTING	1
83	24V026	HOUSING, bearing; <i>includes 12, 14,</i>	1		162453	695/795	
		<i>24, 31, 55, 77, 108, 117</i>			196178	Mark IV	
84		MOTOR, electric; <i>includes 106, 127</i>	1				
	257185	695/Mark IV					
	257186	795					
85	241008	ROD, connecting; <i>includes 43</i>	1				
87	241920	DEFLECTOR, threaded	1				
89	287289	GEAR, combination;	1				
		<i>includes 28, 30</i>					
90		HOUSING, drive, M1;	1				
		<i>includes 6, 36, 90a</i>					
	287283	695/Mark IV					

▲ Extra Danger and Warning tags and labels available free.

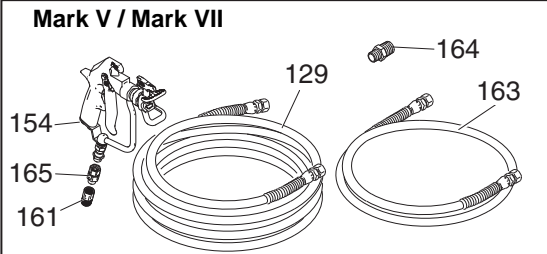
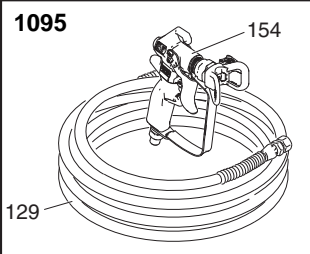
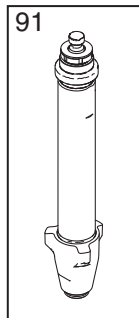
\* 253132 KIT, repair, tube

# 1095/Mark V/Mark VII Hi-Boy Standard

Ref.	Torque
①	40-45 in-lb (4.5 - 5.0 N•m)
②	9-11 in-lb (1.0 - 1.2 N•m)
③	200-230 in-lb (22.6 - 25.9 N•m)
④	190-210 in-lb (21.4 - 23.7 N•m)
⑤	22-28 in-lb (2.4 - 3.1 N•m)
⑥	25-30 ft-lb (33.8 - 40.6 N•m)
⑦	70-80 ft-lb (94.9 - 108.4 N•m)
⑧	130-150 in-lb (14.6 - 16.9 N•m)



Mark V/Mark VII



ti23223c

## 1095/Mark V/Mark VII Hi-Boy Standard

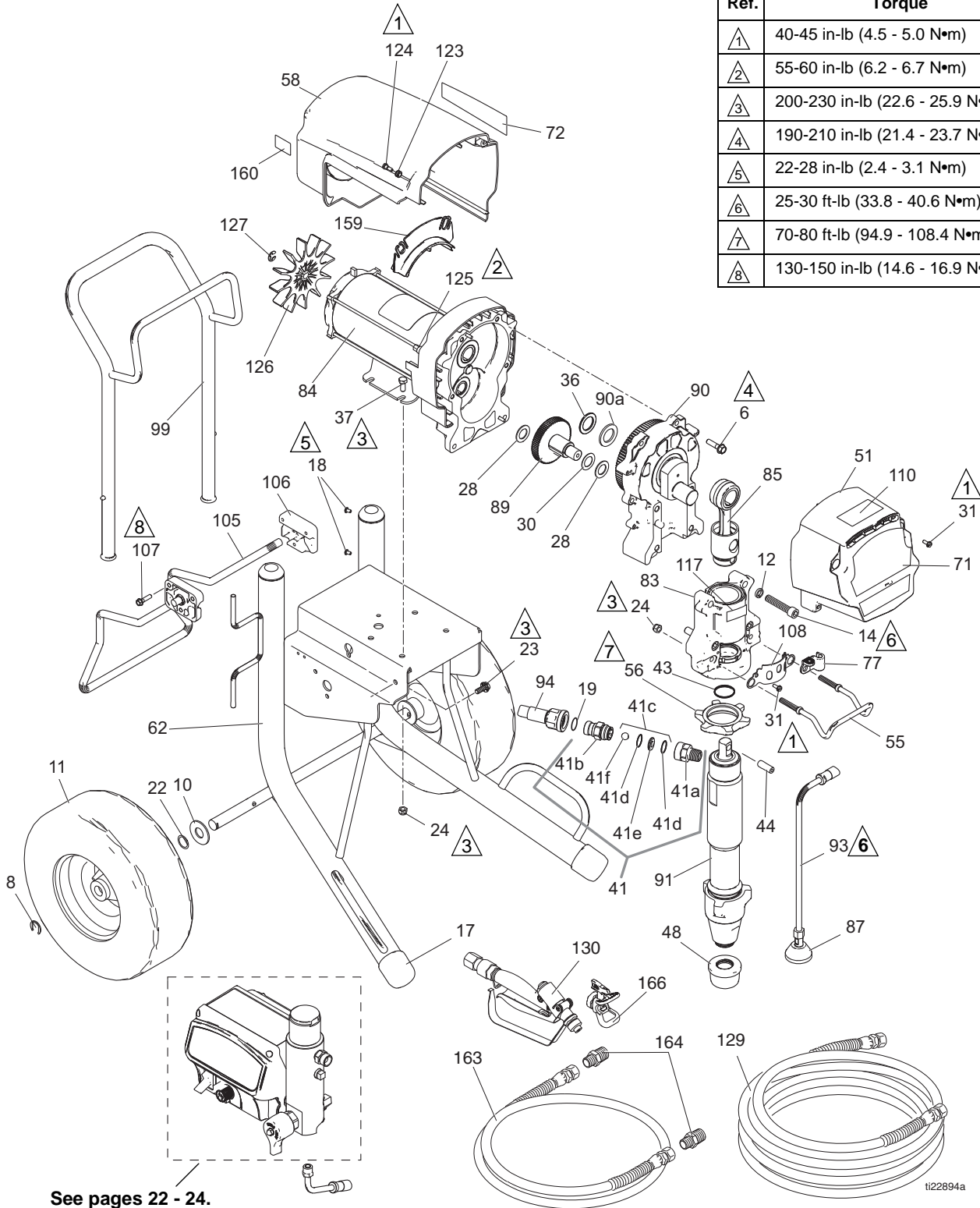
Ref.	Part	Description	Qty.	Ref.	Part	Description	Qty.	
6	15C753	SCREW, mach, torx, hex	5		287295	1095/Mark V		
8	15E891	CLIP, retaining	2	90a	194173	WASHER, race, thrust	1	
10	156306	WASHER, flat	2	91		PUMP, displacement; <i>includes 41, 76, 109</i>	1	
11*	119509	WHEEL, pneumatic	2		16Y706	1095		
12	106115	WASH, lock, spring	4		16Y601	Mark VII		
14	114666	SCREW, cap, socket hd	4		16X429	Mark V		
17	276974	CAP, leg	2		93	244240	HOSE, drain; <i>includes 87</i>	1
18	108795	SCREW, mach, pnh	4	94		HOSE, coupled	1	
19	102982	PACKING, o-ring (Mark V/Mark VII)	1		16X904	1095		
22	116038	WASHER, wave spring	2		24V029	Mark V/Mark VII; <i>includes 19</i>		
23	117791	SCREW, cap, flng hd	2		99	24A250	HANDLE, cart	1
24	111040	NUT, hex, flanged	6	105	16X696	HANGER, stand, cart	1	
28	114672	WASHER, thrust	2	106	15C982	CAM, cart	2	
30	114699	WASHER, thrust	1	107	114531	SCREW, mach, hex washer	4	
31	118444	SCREW, machine, hex washer hd	8	108	16X770	PUMP, shield rod	1	
36	116192	WASHER, thrust	1	109	118494	PACKING, o-ring	1	
37	100057	SCREW, cap, hex hd	4	110	16X983	LABEL, Ultra Premium, sides	1	
41		FITTING, pump, quick disc	1	113	15C762	SHIELD, pump rod	1	
	196178	1095		117	187437	LABEL, torque	1	
	16X834	Mark V/Mark VII		123	276980	GROMMET, cover	2	
43	119778	SPRING, retaining	1	124	119250	SCREW, shoulder, hex, washer	3	
44	183210	PIN, pump	1	126	15D088	FAN, motor	1	
48	189920	STRAINER, (1-11 1/2 NPSM)	1	127	115477	SCREW, mach, torx, pan, hd	1	
51	24V024	COVER, drive, plastic, painted; <i>includes 31</i>	1	128▲	222385	TAG, WARNING (not shown)	1	
55	16C457	HANGER, pail	1	129		HOSE, cpld	1	
56	193031	NUT, retaining	1		240794	Ultra 1095		
58	287282	SHIELD, motor, painted; <i>includes 123, 124</i>	1		278499	Mark VII		
62	24Y428	FRAME, cart 1095	1	154	240797	Mark V		
71		LABEL, UltraMax	1			GUN, contractor 1095	1	
	16X368	1095			288420	1095		
	16Y960	Mark VII			245820	Mark VII		
	16X360	Mark V			289605	Mark V		
72		LABEL, UltraMax II	1	159	278075	BAFFLE	1	
	16X369	1095		160	15Y118	LABEL, Made in USA	1	
	16Y961	Mark VII		161	159841	FITTING, Mark VII	1	
	16X361	Mark V		163		HOSE, whip	1	
76	248215	TUBE, intake; <i>includes 109</i>	1		191239	Mark VII		
77	278204	CLIP, drain line	1		241735	Mark V		
83	24V027	HOUSING, bearing; <i>includes 12, 14, 24, 31, 55, 77, 108, 113, 117</i>	1	164		FITTING, hose	1	
84		MOTOR, electric; <i>includes 126, 127</i>	1		159239	Mark VII		
	257187	1095/Mark V			159841	Mark V		
	257188	Mark VII/UK Mark V		165	189018	SWIVEL, assembly	1	
85	24V021	ROD, connecting; <i>includes 43, 44</i>	1	174	115523	GAUGE, pressure	1	
87	241920	DEFLECTOR, threaded	1	175		FITTING, tee		
89	287290	GEAR, combination; <i>includes 28, 30</i>	1		119783	1095		
90		HOUSING, drive, M1; <i>includes 6, 36, 90a</i>	1		127518	Mark V/Mark VII		
	24M417	Mark VII		176		FITTING	1	
					162453	1095		
					183285	Mark VII		
					196178	Mark V		

▲ Extra Danger and Warning tags and labels available free.

\* 253131 KIT, repair, tube

# Mark X Standard

Ref.	Torque
▲1	40-45 in-lb (4.5 - 5.0 N•m)
▲2	55-60 in-lb (6.2 - 6.7 N•m)
▲3	200-230 in-lb (22.6 - 25.9 N•m)
▲4	190-210 in-lb (21.4 - 23.7 N•m)
▲5	22-28 in-lb (2.4 - 3.1 N•m)
▲6	25-30 ft-lb (33.8 - 40.6 N•m)
▲7	70-80 ft-lb (94.9 - 108.4 N•m)
▲8	130-150 in-lb (14.6 - 16.9 N•m)



See pages 22 - 24.

t122894a

## Mark X Standard Parts List

Ref.	Part	Description	Qty.	Ref.	Part	Description	Qty.
6	15C753	SCREW, mach, torx, hex	6	84	258909	MOTOR, electric; <i>includes 125, 126, 127</i>	1
8	15E891	CLIP, retaining	2	85	24V022	ROD, connecting; <i>includes 43, 44</i>	1
10	156306	WASHER, flat	2	87	241920	DEFLECTOR, threaded	1
11*	119509	WHEEL, pneumatic	2	89	288035	GEAR, combination; <i>includes 28, 30</i>	1
12	112600	WASH, lock, spring	4	90	287990	HOUSING, drive; <i>includes 6, 36, 90a</i>	1
14	112599	SCREW, cap, socket hd	4	90a	194173	WASHER, race, thrust	1
17	276974	CAP, leg	2	91	16X425	PUMP, displacement	1
18	108795	SCREW, mach, pnh	4	93	244240	HOSE, drain; <i>includes 87</i>	1
19	102982	O-RING	1	94	24V029	HOSE, coupled; <i>includes 19</i>	1
22	116038	WASHER, wave spring	2	99	24A250	HANDLE, cart	1
23	117791	SCREW, cap, flng hd	2	105	16X696	HANGER, stand, cart	1
24	111040	NUT, lock	6	106	15C982	CAM, cart	2
28	114672	WASHER, thrust	2	107	114531	SCREW, mach, hex washer	4
30	114699	WASHER, thrust	1	108	16X770	SHIELD, pump rod	1
31	118444	SCREW, machine, hex washer hd	6	110	16X983	LABEL, Standard series	1
36	116192	WASHER, thrust	1	117	187437	LABEL, torque	1
37	100057	SCREW, cap, hex hd	4	123	276980	GROMMET, cover	2
41	24U755	VALVE, check, quick disc	1	124	119250	SCREW, shoulder, hex, washer	3
41a	16N461	HOUSING, seat, check valve	1	125	15G845	SPACER, standoff	2
41b	16X837	HOUSING, ball, check valve	1	126	15V577	FAN, motor	1
41c	24M725	KIT, repair, check valve; <i>includes 41d, 41e, 41f</i>	1	127	122347	SCREW, mach, torx, pan, hd	1
41d		O-RING	2	128▲	222385	TAG, WARNING (not shown)	1
41e		SEAT	1	129	278499	HOSE, cpld, 1/2 in. x 50 ft	1
41f		BALL	1	154	245820	GUN, spray, texture	1
43	119677	SPRING, retaining	1	159	278075	BAFFLE	1
44	197443	PIN, pump	1	160	15Y118	LABEL, Made in USA	1
48	189920	STRAINER, (1-11 1/2 NPSM)	1	163	191239	HOSE, cpld, 3/8 in. x 12 ft	1
51	24V025	COVER, drive, plastic, painted; <i>includes 31</i>	1	164	159239	ADAPTER	2
55	16C457	HANGER, pail	1	166	246215	GUARD, RAC X	1
56	193394	NUT, retaining	1	174	115523	GAUGE, pressure	1
58	287282	SHIELD, motor, painted; <i>includes 123, 124</i>	1	175	127518	FITTING, tee swivel	1
62	24Y428	FRAME, cart	1	176	183285	FITTING	1
71	16X362	LABEL, Mark X	1				
72	16X363	LABEL, Mark X	1				
77	278204	CLIP, drain line	1				
83	24V028	HOUSING, bearing; <i>includes 12, 14, 24, 31, 55, 77, 108, 117</i>	1				

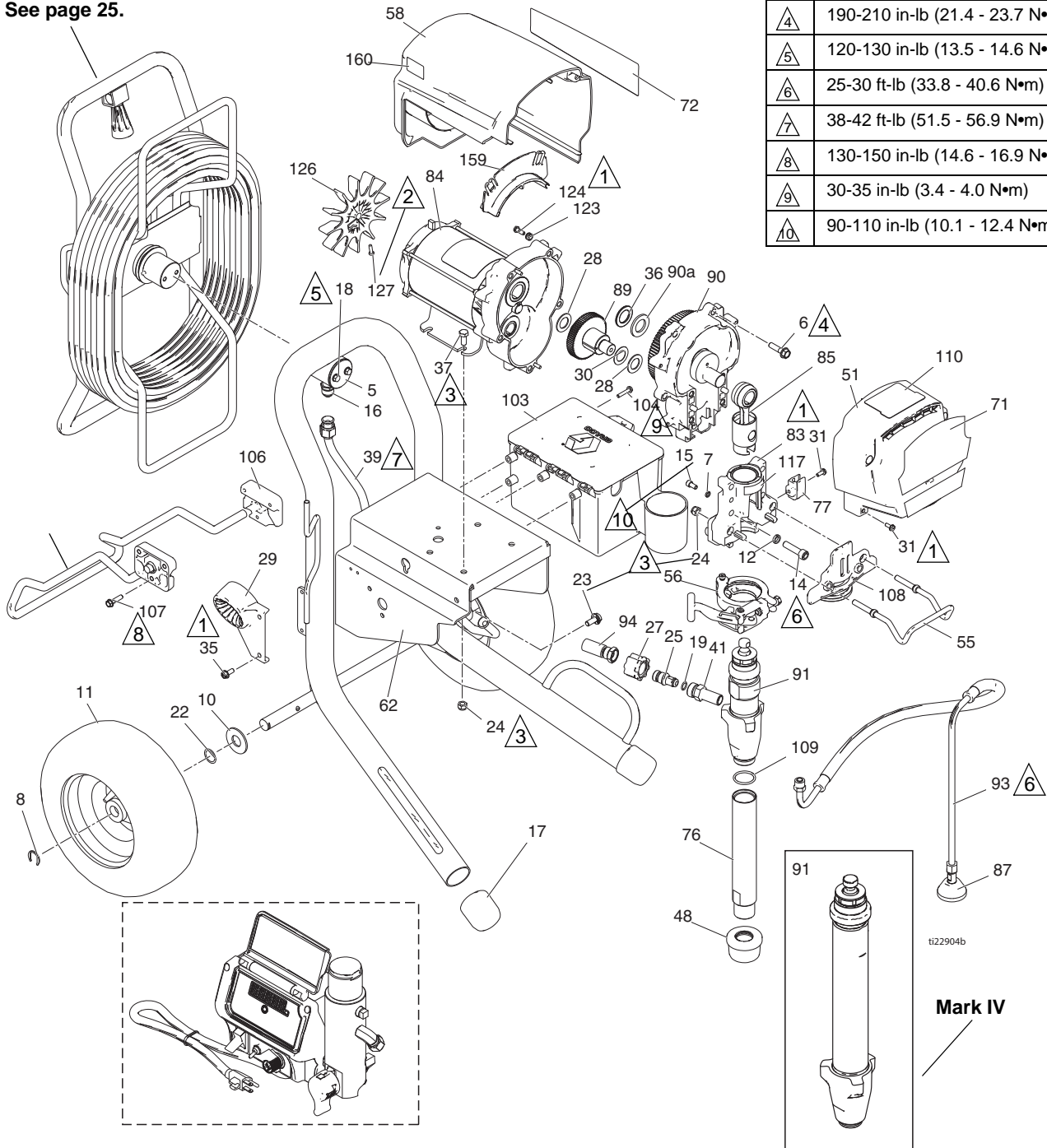
▲ Extra Danger and Warning tags and labels available free.

\* 253131 KIT, repair, tube

# 695/795/MARK IV ProContractor

Ref.	Torque
△1	40-45 in-lb (4.5 - 5.0 N•m)
△2	9-11 in-lb (1.0 - 1.2 N•m)
△3	200-230 in-lb (22.6 - 25.9 N•m)
△4	190-210 in-lb (21.4 - 23.7 N•m)
△5	120-130 in-lb (13.5 - 14.6 N•m)
△6	25-30 ft-lb (33.8 - 40.6 N•m)
△7	38-42 ft-lb (51.5 - 56.9 N•m)
△8	130-150 in-lb (14.6 - 16.9 N•m)
△9	30-35 in-lb (3.4 - 4.0 N•m)
△10	90-110 in-lb (10.1 - 12.4 N•m)

See page 25.



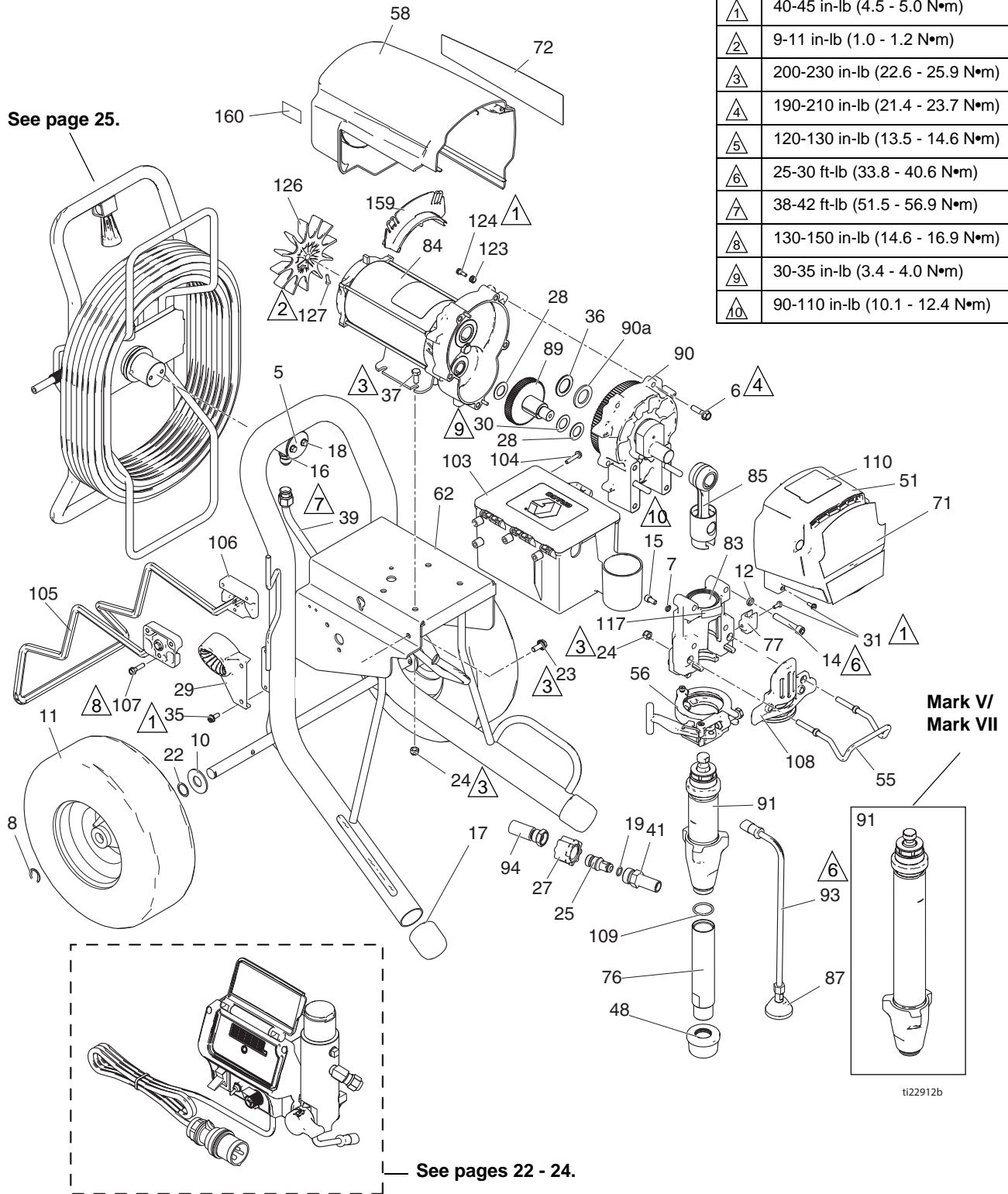
## 695/795/MARK IV ProContractor Parts List

Ref.	Part	Description	Qty.	Ref.	Part	Description	Qty.
5	16C975	PLATE, pivot	1	83	24V087	HOUSING, bearing; <i>includes 7, 12, 14, 15, 24, 31, 55, 56, 77, 108, 117</i>	1
6	15C753	SCREW, mach, hex wash hd	5				
7	105510	WASHER, lock, spring	2	84		MOTOR, electric	1
8	15E891	CLIP, retaining	2		257185	695/Mark IV	
10	156306	WASHER, flat	2		257186	795	
11	119420	WHEEL, pneumatic	2	85	24V084	ROD, connecting	1
12	106115	WASHER, lock (hi-collar)	4	87	241920	DEFLECTOR, threaded	1
14	110141	SCREW, cap, sch	4	89	287289	GEAR, combination;	1
15	101550	SCREW, cap, sch	2			<i>includes 28, 30</i>	
16	121311	FITTING, connector	1	90		HOUSING, drive, M1;	1
17	276974	CAP, leg	2			<i>includes 6, 36, 90a</i>	
18	260212	SCREW, hex washer hd	2		24V032	695/Mark IV	
19		PACKING, o-ring	1		24V033	795	
	107505	695/795		90a	107089	WASHER, race, thrust	1
	102982	Mark IV		91	16X414	PUMP, displacement, 695/795;	1
22	116038	WASHER, wave spring	2			<i>includes 41, 109</i>	
23	117791	SCREW, cap tri lobe	2		16X418	PUMP, displacement, Mark IV	
24	111040	NUT, lock, nylon, thin pattern	6	93	244240	HOSE, drain, ultra hi-boy;	1
25	16X833	FITTING, QD, 695/795	1			<i>includes 87</i>	
27	120583	NUT, hand, 695/795	1	94		HOSE, coupled	1
28	114672	WASHER, thrust	2		16X904	695/795	
29	278083	GUIDE, hose, platinum	1		24V029	Mark IV; <i>includes 19</i>	
30	114699	WASHER, thrust	1	103	287253	TOOL BOX; <i>includes 104</i>	1
31	118444	SCREW, mach, slot hex wash hd	5	104	118852	SCREW, thd forming, hex	3
35	117633	SCREW, slot hex wash hd	2			washer hd	
36	116191	WASHER, thrust, 1095/795	1	105	16X697	HANGER, stand	1
37	100057	SCREW, cap, hex hd	4	106	15C982	CAM, cart	2
39	24V095	TUBE, formed, ultra, platinum	1	107	114531	SCREW, mach, hex washer hd	4
41		FITTING	1	108	16X228	SHIELD, pump rod	1
	16Y579	695/795		109	118494	PACKING, o-ring	1
	16X834	Mark IV		110	16X981	LABEL, ProContractor Series	1
48	189920	STRAINER, (1-11 1/2 npsm)	1	117	187437	LABEL, torque	1
51	24V023	COVER, drive, plastic, painted;	1	123	276980	GROMMET, cover	2
		<i>includes 31</i>		124	119250	SCREW, shoulder	2
55	16C457	HANGER, pail	1	126	15D088	FAN, motor	1
56	16X322	CLAMP, pump	1	127	115477	SCREW, mach, torx pan hd	1
58		SHIELD, motor, painted;	1	128▲	222385	TAG, warning (not shown)	1
		<i>includes 123, 124</i>		159	278075	BRACKET, wire	1
	287281	695/Mark IV		160	15Y118	LABEL, Made in the USA	1
	287282	795					
62	24Y427	FRAME, platinum, 695/795	1				
71		LABEL, brand, front	1				
	16X364	695					
	16X367	795					
	16X357	Mark IV					
72		LABEL, brand, side	1				
	16X365	695					
	16X366	795					
	16X354	Mark IV					
76	248214	TUBE, intake; <i>includes 109</i>	1				
77	16X203	CLIP, drain line	1				

▲ Extra Danger and Warning tags and labels available free.

# 1095/MARK V/Mark VII ProContractor

Ref.	Torque
①	40-45 in-lb (4.5 - 5.0 N•m)
②	9-11 in-lb (1.0 - 1.2 N•m)
③	200-230 in-lb (22.6 - 25.9 N•m)
④	190-210 in-lb (21.4 - 23.7 N•m)
⑤	120-130 in-lb (13.5 - 14.6 N•m)
⑥	25-30 ft-lb (33.8 - 40.6 N•m)
⑦	38-42 ft-lb (51.5 - 56.9 N•m)
⑧	130-150 in-lb (14.6 - 16.9 N•m)
⑨	30-35 in-lb (3.4 - 4.0 N•m)
⑩	90-110 in-lb (10.1 - 12.4 N•m)





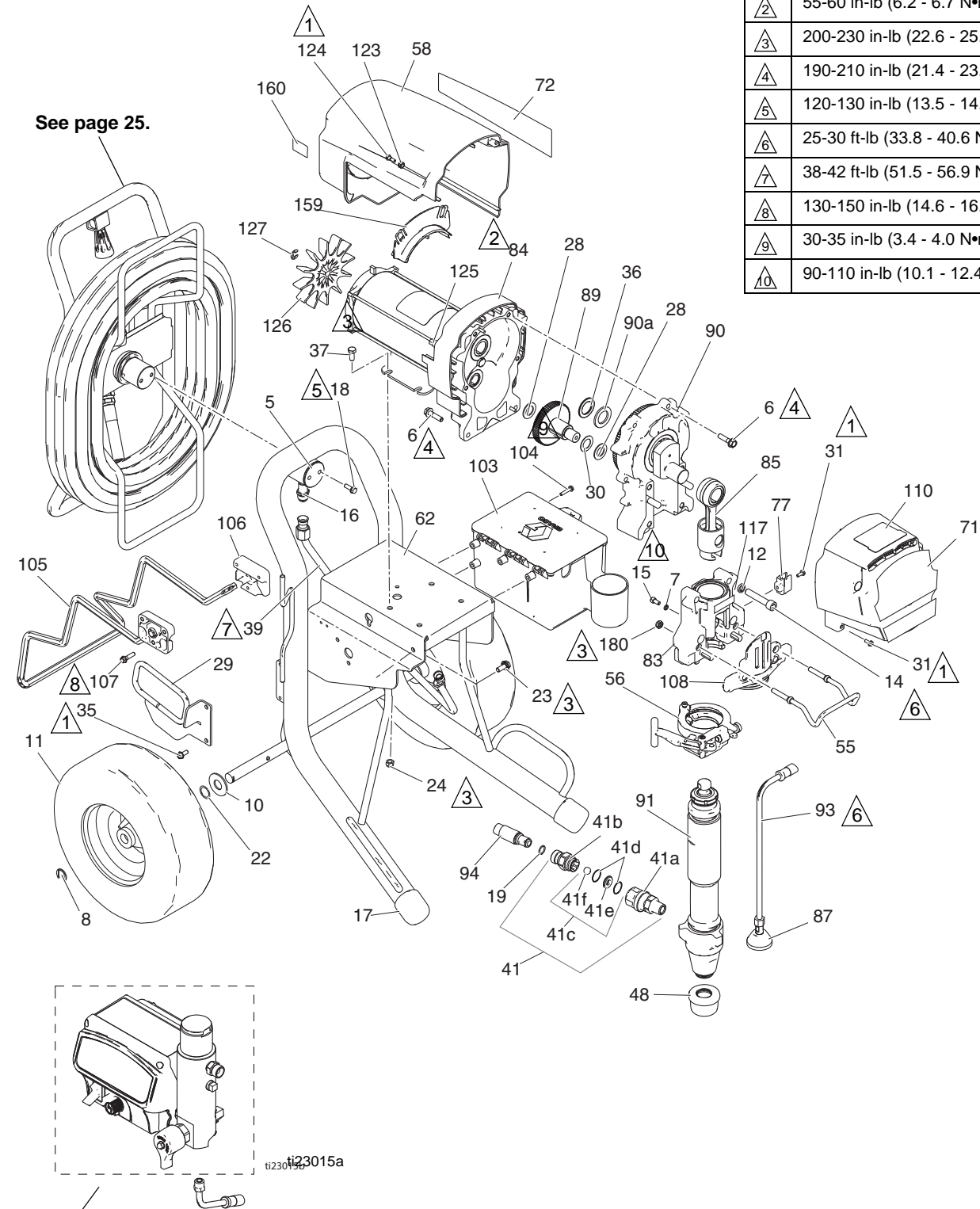
## 1095/MARK V/Mark VII ProContractor Parts List

Ref.	Part	Description	Qty.	Ref.	Part	Description	Qty.
5	16C975	PLATE, pivot	1	77	16X203	CLIP, drain line	1
6	15C753	SCREW, mach, hex wash hd	5	83	24V088	HOUSING, bearing; <i>includes 7, 12, 14, 15, 24, 31, 55, 56, 77, 108, 117</i>	1
7	105510	WASHER, lock	2				
8	15E891	CLIP, retaining	2	84		MOTOR, electric; <i>includes 126, 127</i>	1
10	156306	WASHER, flat	2		257187	1095/Mark V	
11	119509	WHEEL, pneumatic	2		257188	Mark VII/UK Mark V	
12	106115	WASHER, lock (hi-collar)	4	85	24V085	ROD, connecting	1
14	114666	SCREW, cap, socket head	4	87	241920	DEFLECTOR, threaded	1
15	101550	SCREW, cap, sch	2	89	287290	GEAR, combination; <i>includes 28, 30</i>	1
16	121311	FITTING, connector	1				
17	276974	CAP, leg	2	90		HOUSING, drive, M1; <i>includes 6, 36, 90a</i>	1
18	260212	SCREW, hex washer hd	2				
19		PACKING, o-ring	1		24M417	Mark VII	
	107505	1095			287295	1095/Mark V	
	102982	Mark V/Mark VII			287294	Mark V, Japanese Model	
22	116038	WASHER, wave spring	2	90a	194173	WASHER, race, thrust	1
23	117791	SCREW, cap tri lobe	2	91		PUMP, displacement; <i>includes 41, 76, 109</i>	1
24	111040	NUT, lock, insert	6				
25	16X833	FITTING, quick disconnect, (1095 only)	1		16X419	1095 Models	
					16Y602	Mark VII Models	
27	120583	NUT, hand (1095 only)	1		16X421	Mark V Models	
28	114672	WASHER, thrust	2	93	244240	HOSE, drain; <i>includes 87</i>	1
29		BRACKET, hose, wrap	1	94		HOSE, coupled	1
	278083	1095/Mark V			16X904	1095	
	24M197	Mark VII			24V029	Mark V/Mark VII; <i>includes 19</i>	
30	114699	WASHER, thrust	1	103	287253	TOOL BOX; <i>includes 104</i>	1
31	118444	SCREW, mach, slot hex wash hd	5	104	118852	SCREW, thd forming, hex washer hd	3
35	117633	SCREW, slot hex wash hd	2	105	16X698	HANGER, stand, cart	1
36	116192	WASHER, thrust, 1595	1	106	15C982	CAM, cart	2
37	100057	SCREW, cap, hex hd	4	107	114531	SCREW, mach, hex washer hd	4
39	24J081	TUBE, formed, ultra, platinum	1	108	16X385	PLATE, front, 5900 PCII	
41		FITTING, pump, QD	1	109	118494	PACKING, o-ring	1
	16Y579	1095		110	16X981	LABEL, premium	1
	16X834	Mark V/Mark VII		117	187437	LABEL, torque	1
48	189920	STRAINER, (1-11 1/2 npsm)	1	123	276980	GROMMET, cover	2
51	24V024	COVER, drive, plastic, painted; <i>includes 31</i>	1	124	119250	SCREW, shoulder	3
				126	15D088	FAN, motor	1
55	16C457	HANGER, pail	1	127	115477	SCREW, mach, torx pan hd	1
56	16X324	CLAMP, pump, large	1	128▲	222385	TAG, warning (not shown)	
58	287282	SHIELD, motor, painted; <i>includes 123, 124</i>	1	159	278075	BRACKET, wire	1
				160	15Y118	LABEL, Made in the USA	1
62	24Y426	FRAME, platinum, 1095/MARK V	1				
71		LABEL, brand, front	1				
	16X368	1095					
	16X360	Mark V					
	16Y960	Mark VII					
72		LABEL, brand, side	1				
	16X369	1095					
	16X361	Mark V					
	16Y961	Mark VII					
76	248215	TUBE, intake; <i>includes 109</i>	1				

▲ Extra Danger and Warning tags and labels available free.

# Mark X ProContractor

Ref.	Torque
△1	40-45 in-lb (4.5 - 5.0 N•m)
△2	55-60 in-lb (6.2 - 6.7 N•m)
△3	200-230 in-lb (22.6 - 25.9 N•m)
△4	190-210 in-lb (21.4 - 23.7 N•m)
△5	120-130 in-lb (13.5 - 14.6 N•m)
△6	25-30 ft-lb (33.8 - 40.6 N•m)
△7	38-42 ft-lb (51.5 - 56.9 N•m)
△8	130-150 in-lb (14.6 - 16.9 N•m)
△9	30-35 in-lb (3.4 - 4.0 N•m)
△10	90-110 in-lb (10.1 - 12.4 N•m)



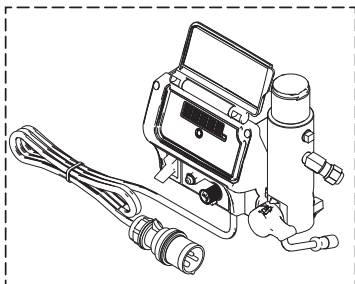
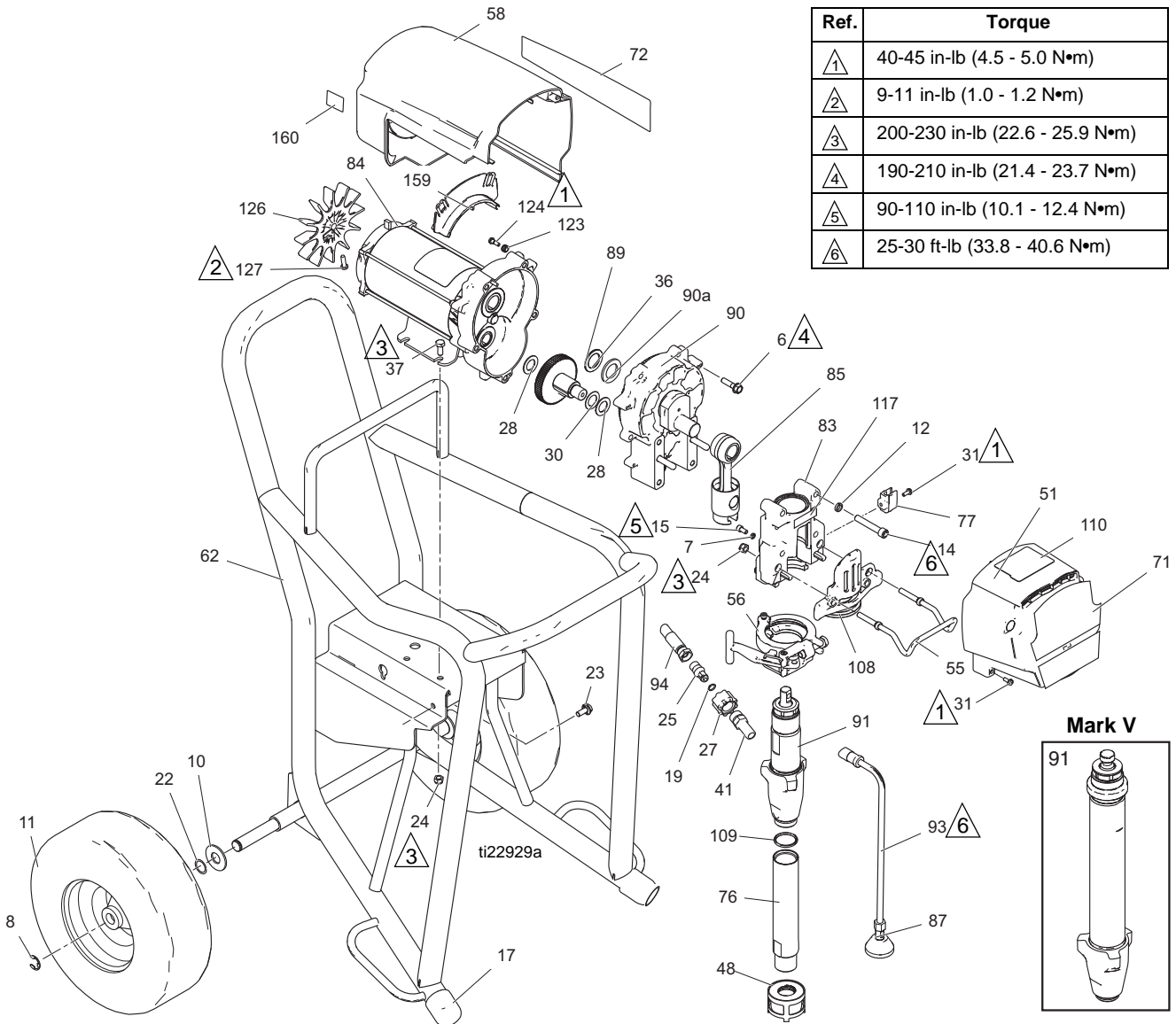
# Mark X ProContractor

Ref.	Part	Description	Qty.	Ref.	Part	Description	Qty.
5	16C975	PLATE, pivot	1	71	16X362	LABEL, front	1
6	15C753	SCREW, mach, hex wash hd	6	72	16X363	LABEL, right side	1
7	105510	WASHER, lock, spring	2	77	16X203	CLIP, drain line	1
8	15E891	CLIP, retaining	2	83	24V089	HOUSING, bearing; <i>includes 7, 12, 14, 15, 31, 55, 56, 77, 108, 117, 180</i>	1
10	156306	WASHER, flat	2	84	258909	MOTOR, electric; <i>includes 125, 126, 127</i>	1
11	119509	WHEEL, pneumatic	2	85	24V086	ROD, connecting	1
12	112600	WASHER, lock (hi-collar)	4	87	241920	DEFLECTOR, threaded	1
14	112599	SCREW, cap, socket head	4	89	288035	GEAR, combination; <i>includes 28, 30</i>	1
15	101550	SCREW, cap, sch	2	90	287990	HOUSING, drive; <i>includes 6, 36, 90a</i>	1
16	121311	FITTING, connector	1	90a	194173	WASHER, race, thrust	1
17	276974	CAP, leg	2	91	16X427	PUMP, displacement	1
18	260212	SCREW, hex washer, hd	2	93	244240	HOSE, drain; <i>includes 87</i>	1
19	102982	O-RING	1	94	24V029	KIT, hose, cpld, 1/2 in.; <i>includes 19</i>	1
22	116038	WASHER, wave spring	2	103	287253	TOOL BOX; <i>includes 104</i>	1
23	117791	SCREW, cap, tri lobe	2	104	118852	SCREW, thd forming, hex washer hd	3
24	111040	NUT, lock, insert	4	105	16X698	HANGER, stand, cart	1
28	114672	WASHER, thrust	2	106	15C982	CAM, cart	2
29	24M197	GUIDE, hose, ultra platinum	1	107	114531	SCREW, mach, hex washer hd	4
30	114699	WASHER, thrust	1	108	16X209	PLATE, front, PCII, 79W	1
31	118444	SCREW, mach, slot hex wash hd	5	110	16X981	LABEL, ProContractor Series	1
35	117633	SCREW, slot hex wash hd	2	117	187437	LABEL, torque	1
36	116192	WASHER, thrust, 1595	1	123	276980	GROMMET, cover	2
37	100057	SCREW, cap, hex hd	4	124	119250	SCREW, shoulder	3
39	16M441	TUBE, formed, ultra, platinum	1	125	15G845	SPACER, standoff	2
41	24U755	FITTING	1	126	15V577	FAN, motor	1
41a	16N461	HOUSING, seat, check valve	1	127	122347	RING, retaining	1
41b	16X837	HOUSING, ball, check valve	1	128▲	222385	TAG, warning (not shown)	
41c	24M725	KIT, repair, check valve; <i>includes 41d, 41e, 41f</i>	1	159	278075	BRACKET, wire	1
41d		O-RING	1	160	15Y118	LABEL, Made in the USA	1
41e		SEAT	1	180	112746	NUT, lock, thin pattern	2
41f		BALL	1				
48	189920	STRAINER, (1-11 1/2 npsm)	1				
51	24V025	COVER, drive, plastic, painted; <i>includes 31</i>	1				
55	16C457	PACKING, o-ring	1				
56	16X324	CLAMP, pump, large	1				
58	287282	SHIELD, motor, painted; <i>includes 123, 124</i>	1				
62	24Y426	FRAME, platinum, 1095/MARK V	1				

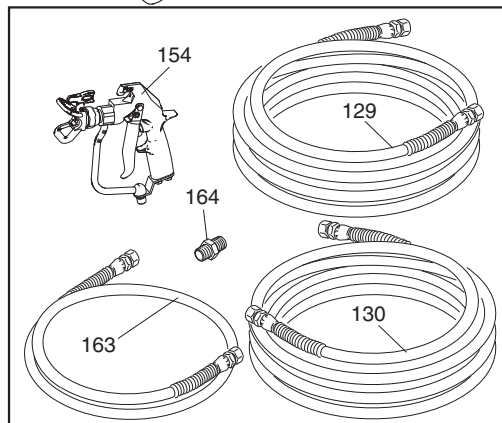
▲ Extra Danger and Warning tags and labels available free.

# 1095/Mark V IronMan

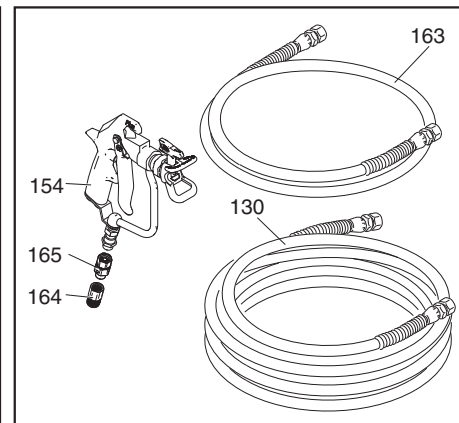
Ref.	Torque
1	40-45 in-lb (4.5 - 5.0 N•m)
2	9-11 in-lb (1.0 - 1.2 N•m)
3	200-230 in-lb (22.6 - 25.9 N•m)
4	190-210 in-lb (21.4 - 23.7 N•m)
5	90-110 in-lb (10.1 - 12.4 N•m)
6	25-30 ft-lb (33.8 - 40.6 N•m)



See pages 22 - 24.



1095










Mark V

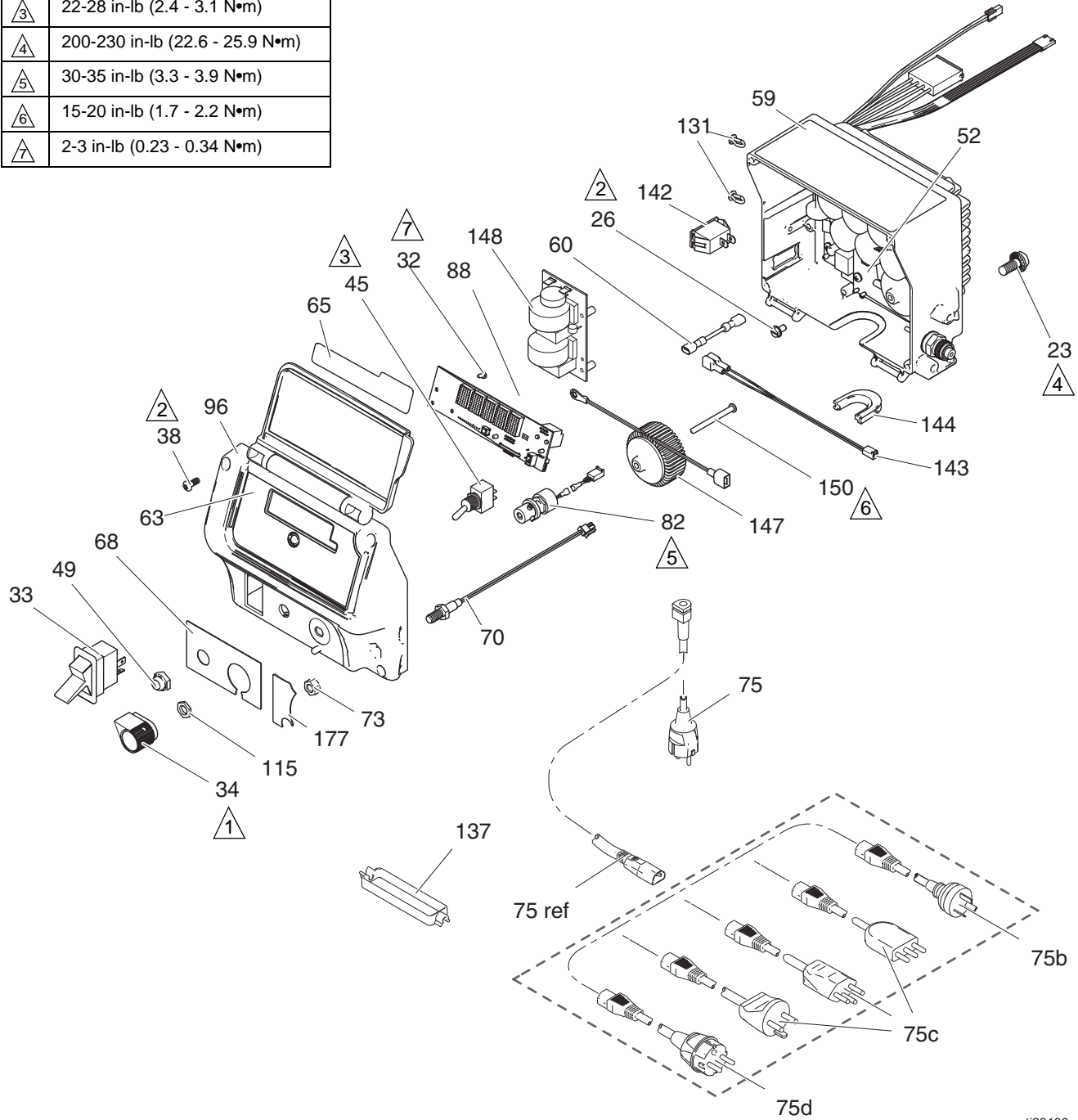
## 1095/Mark V IronMan

Ref.	Part	Description	Qty.	Ref.	Part	Description	Qty.
6	15C753	SCREW, mach, torx, hex	5	89	287290	GEAR, combination; <i>includes 28, 30</i>	1
7	105510	WASHER, lock, spring	2	90	287295	HOUSING, drive, M1; <i>includes 6, 36, 90a</i>	1
8	120211	CLIP, retaining	2	90a	194173	WASHER, race, thrust	1
10	156306	WASHER, flat	2	91		PUMP, displacement	1
11	122267	WHEEL, foam	2		16X420	1095; <i>includes 41, 109</i>	
12	106115	WASH, lock, spring	4		16Y599	Mark V	
14	114666	SCREW, cap, socket hd	4	93	244240	HOSE, drain; <i>includes 87</i>	1
15	101550	SCREW, cap, sch	2	94		HOSE, coupled	1
17	15C871	CAP, leg	2		16X904	1095	
19		PACKING, o-ring	1		24V029	Mark V; <i>includes 19</i>	
	107505	1095		108	16X385	PLATE, front, 5900, PCII	
	102982	Mark V		109	118494	PACKING, o-ring	1
22	116038	WASHER, wave spring	2	110	16X982	LABEL, IronMan series	1
23	117791	SCREW, cap, flng hd	2	117	187437	LABEL, torque	1
24	111040	NUT, lock, insert	6	123	276980	GROMMET, cover	2
25	16X833	FITTING, QD, 3/8 npsm, 1095	1	124	119250	SCREW, shoulder, hex, washer	3
27	120583	NUT, hand, 1095	6	126	15D088	FAN, motor	1
28	114672	WASHER, thrust	2	127	115477	SCREW, mach, torx, pan, hd	1
30	114699	WASHER, thrust	1	128▲	222385	TAG, WARNING (not shown)	1
31	118444	SCREW, machine, hex washer hd	5	129	240794	HOSE, cpld, 1/4 in. x 50 ft, 1095	1
36	116192	WASHER, thrust	1	130		HOSE, cpld, 3/8 in. x 50 ft	
37	100057	SCREW, cap, hex hd	4		240797	1095	1
41		FITTING, pump, QD	1		240797	Mark V	2
	16Y579	1095		154		GUN	1
	16X834	Mark V			246240	1095	
48	15V573	STRAINER, (1-11 1/2 NPSM)	1		241705	Mark V	
51	24V024	COVER, drive, plastic, painted; <i>includes 31</i>	1	159	278075	BRACKET, wire	
55	16C457	HANGER, pail	1	160	15Y118	LABEL, Made in USA	1
56	16X324	CLAMP, pump, large	1	163		HOSE, whip	1
58	287282	SHIELD, motor, painted; <i>includes 123, 124</i>	1		277322	1095	
62	16X711	FRAME, cart, 1095	1		241735	Mark V	
71		LABEL, UltraMax	1	164		FITTING	1
	16X368	1095			164672	1095	
	16X360	Mark V			159841	Mark V	
72		LABEL, UltraMax II	1	165	189018	SWIVEL, assembly	1
	16X369	1095					
	16X361	Mark V					
76	248215	TUBE, intake; <i>includes 109</i>	1				
77	16X203	CLIP, drain line	1				
83	24V088	HOUSING, bearing; <i>includes 7, 12, 14, 15, 24, 31, 55, 56, 77, 108, 117</i>	1				
84	257187	MOTOR, electric; <i>includes 126, 127</i>	1				
85	24V085	ROD, connecting	1				
87	241920	DEFLECTOR, threaded	1				

▲ Extra Danger and Warning tags and labels available free.

# Control Box

Ref.	Torque
	10-15 in-lb (1.1 - 1.7 N•m)
	40-45 in-lb (4.5 - 5.0 N•m)
	22-28 in-lb (2.4 - 3.1 N•m)
	200-230 in-lb (22.6 - 25.9 N•m)
	30-35 in-lb (3.3 - 3.9 N•m)
	15-20 in-lb (1.7 - 2.2 N•m)
	2-3 in-lb (0.23 - 0.34 N•m)



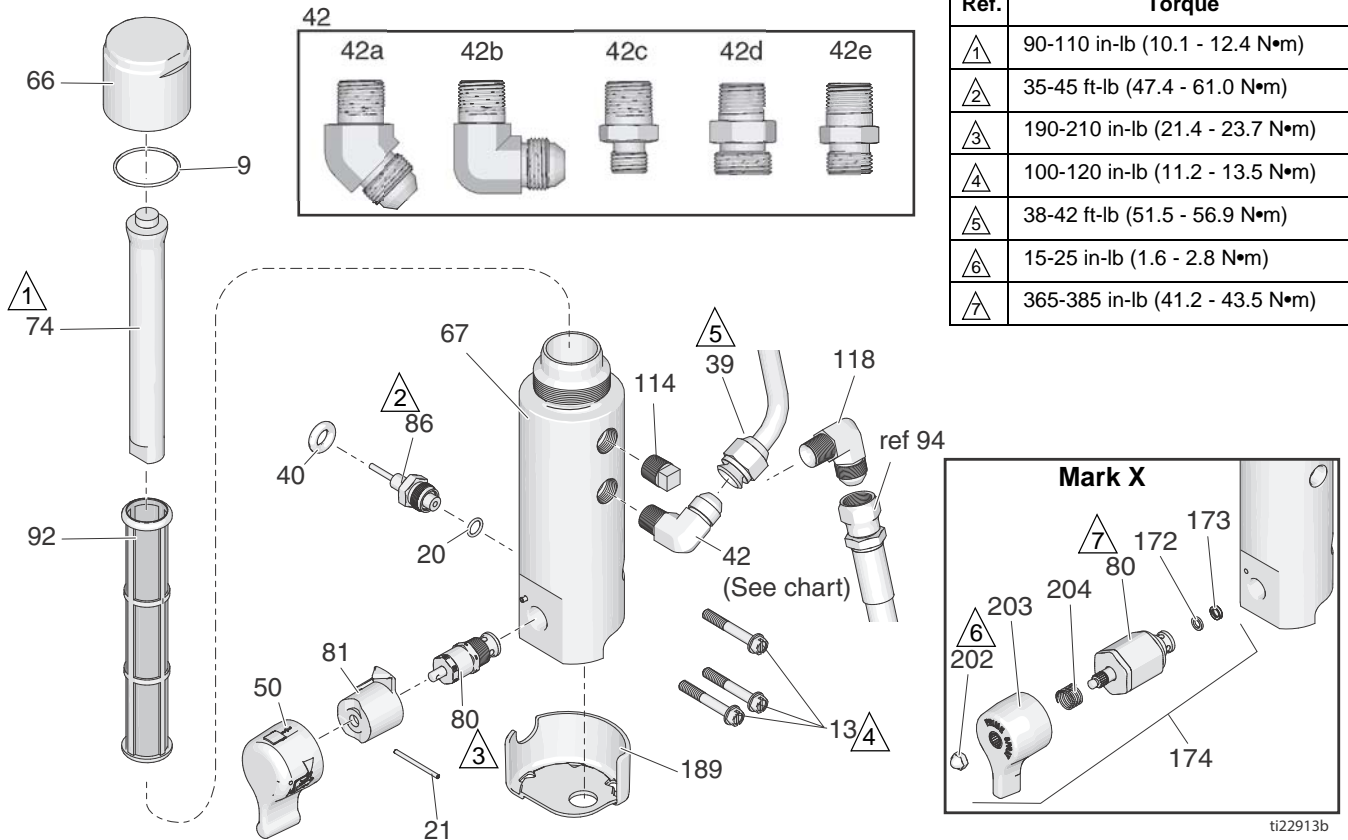
ti23180a

## Parts List

Ref.	Part	Description	Qty.	Ref.	Part	Description	Qty.
23	117791	SCREW, cap, flange head	2	75b		China/Australia	1
26	114391	SCREW, grounding	1	242005		695/795/1095/Mark IV/Mark V	
32	115522	SCREW, mach, pnh (ProContractor/IronMan series)	3	17A242		Mark X	
33	15C979	SWITCH, rocker, 120V	1	75c		Italy/Denmark/Switzerland	1
	15D527	SWITCH, rocker, 230V	1	287121		695/795/1095/Mark IV/Mark V	
34	116167	KNOB, potentiometer	1	253103		Mark VII/Mark X Models	
38	16V095	SCREW, #10, taptite phil	4	75d	242001	EU CEE 7/7	1
45	119541	SWITCH, toggle, (ProContractor/IronMan series)	1	75e	244285	Japan	1
49	195428	BOOT, toggle (ProContractor/IronMan series)	1	82	256219	POTENTIOMETR, assembly	1
52		CONTROL, board; <i>includes 23, 26, 60,</i> <i>131, 142, 144, box not sold separately</i>	1	88	16Y496	DISPLAY	1
	24P847	120V Models		96		COVER, control	1
	24P848	240V Models		24V061		ProContractor/IronMan series; <i>includes 32, 38, 63, 65, 68</i>	
59▲		LABEL, warning	1	24V062		Standard series; <i>includes 38, 63, 68</i>	
	16G596	Europe		115	15C973	GASKET	1
	16Y762	Asia/ANZ		131		SCREW/PLUG	2
	16Y761	Japan		119228		Eurpoe/Asia/Australia	
60	16T541	JUMPER WIRE (Japanese models)	1	16T482		Japan	
63	16X796	LABEL, LCD, GMAX (ProContractor/IronMan series)	1	137		RETAINER, plug adapter	
	16Y785	LABEL, control box cover, ultra (Standard series)	1	195551		695/795/1095/Mark IV/Mark V	
65	16X797	LABEL, control box cover, ultra (ProContractor/IronMan series)	1	121249		Mark VII/Mark X Models	
68	16Y789	LABEL, control (ProContractor/IronMan series)	1	142		SWITCH/PLUG	1
	16Y786	LABEL, control (Standard series)	1	16T483		695/795/1095/Mark IV/Mark V	
70	122507	SWITCH, reed (ProContractor/IronMan series)	1	126029		Mark VII/Mark X Models (10/16 amp)	
	16Z019	LIGHT, ProGuard (Standard series)	1	120059		UK Mark V (15/20 amp)	
73	100187	NUT	1	143	15G935	CONNECTOR, electrical	1
75		CORD, power	1	144		STRAIN RELIEF	1
	17J160	695/795/1095, Japanese Models		16T546		695/795/1095/Mark IV/Mark V	
	15H065	Mark V, Japanese Models		16T547		695/795/1095 Japanese Models	
	15D528	EU CEE 7/7		16T544		Mark VII/Mark X Models	
	15D529	EU Multicord		116171		Mark V, Japanese Models	
	15D530	UK		145	117745	BUSHING, strain relief (Mark VII/Mark X Models)	1
	16M834	Mark VII EU CEE 7/7		147	24V030	KIT, repair, coil; <i>includes 150</i>	1
	16M836	Mark VII Multicord		148		BOARD, filter	1
	15G957	Mark X EU CEE 7/7		24R598		230V Models	
	15G938	Mark X Multicord		24R597		120V Models	
				24U823		Mark X	
				149	117625	NUT, locking	1
				150	16U215	SCREW, machine, flat head	1
				177	16Y791	LABEL, blank, elec, std (Standard)	1
					16Y790	ProContractor/IronMan	1
					16Y788	Mark X ProContractor	1

▲ Extra Danger and Warning tags and labels available free.

# Filter

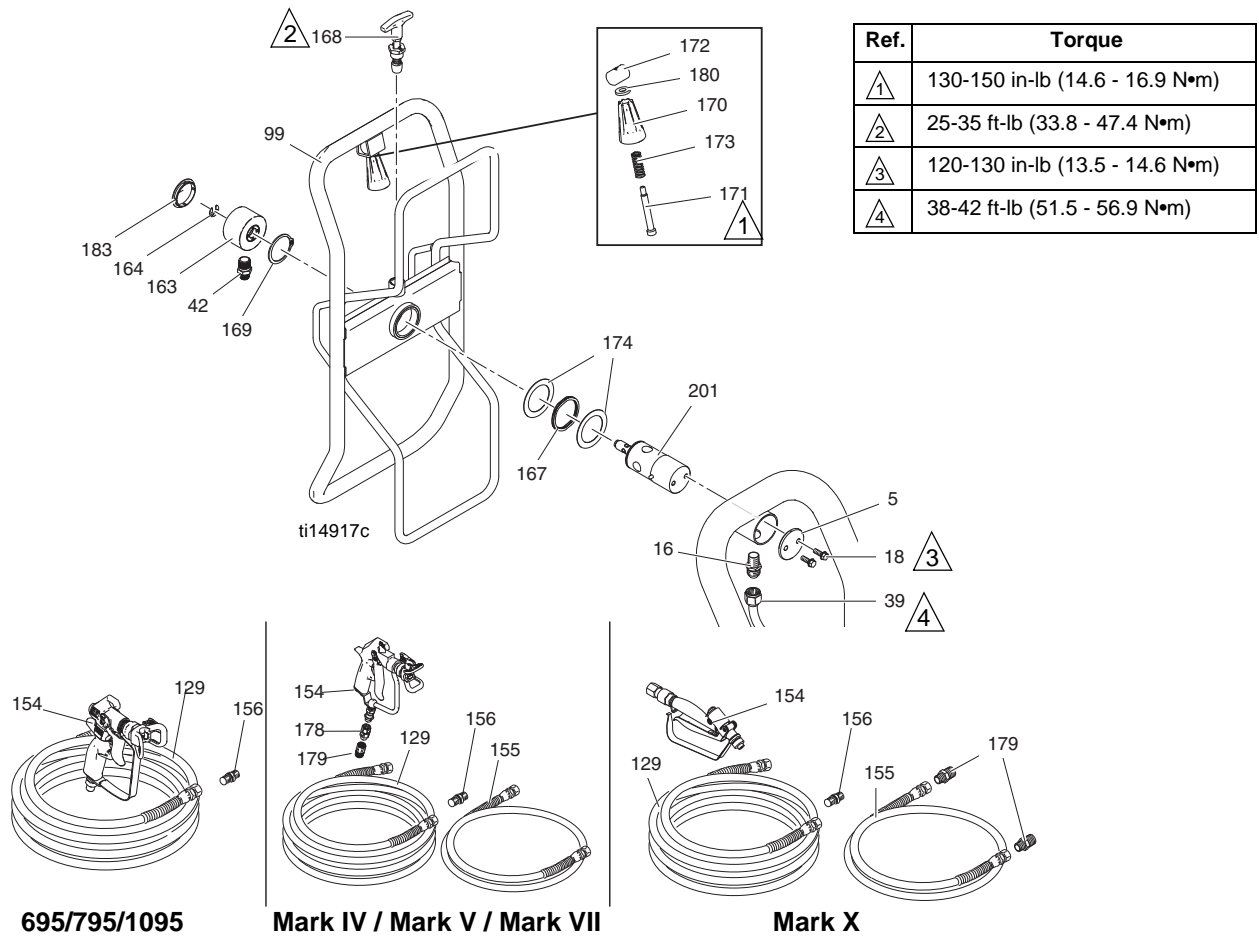


## Parts List

Ref.	Part	Description	Qty.	Ref.	Part	Description	Qty.
9	117285	PACKING, o-ring	1	74	15C766	TUBE, diffusion	1
13	16U013	SCREW, cap, socket head	3	80	24B156	VALVE, prime, HD	1
20	111457	PACKING, o-ring	1		287879	VALVE, prime, Mark X	1
21	15C972	PIN, grooved	1	81		BASE, valve	1
39		TUBE, formed, ultra platinum	1		24A382	Standard series	
	24V095	695/795 Models			24D286	ProContractor/IronMan	
	24J081	1095/Mark V Models		86	243222	TRANSDUCER, pressure control;	1
	16M441	Mark X				<i>includes 20</i>	
40	121889	GROMMET, transducer	1	92		FILTER, fluid	1
42		FITTING	1		244071	30 mesh	
42a	122533	1095/Mark V/Mark VII (ProContractor series)			244067	60 mesh, original equipment	
42b	125926	695/795/Mark IV/Mark X (ProContractor series)			244068	100 mesh	
42c	164672	695/795/1095 (Standard series)		114	104813	PLUG, pipe, 3/8	1
42d	196178	Mark IV/Mark V/Mark VII (Standard series)		118	125926	FITTING, elbow	1
		1095/Mark V (IronMan series)		172	193709	SEAT, valve	1
		Mark X (Standard series)		173	193710	SEAL, seat, valve	1
50	183285	KIT, handle; <i>includes 21, 81</i>	1	174	245103	KIT, repair, valve, Mark X;	1
						<i>includes 80, 172, 173, 202, 203, 204</i>	
	24E233	ProContractor/IronMan Series		189	17A197	GUARD, base, filter (ProContractor/IronMan Series)	1
	24E234	Standard Series		202	116424	NUT, Mark X	1
66	15C765	CAP, filter	1	203	15G563	HANDLE, valve, Mark X	1
67	16T543	BASE, filter	1	204	114708	SPRING, compression, Mark X	1



# Hose Reel and Gun



## Parts List

Ref.	Part	Description	Qty.	Ref.	Part	Description	Qty.
5	16C975	PLATE, Pivot Mount	1	191239	Mark VII/Mark X		
16	121311	FITTING, Connector, NPT x JIC	1	156	ADAPTER		1
18	260212	SCREW, Hex Washer HD	2	162453	695/795/1095		
39	24V095	TUBE, Formed, Ultra, Platinum	1	196178	Mark IV/Mark V		
	24J081	695/795 Models		158491	Mark VII/Mark X		
	16M441	1095/Mark V Models		163	24B248	CAP, swivel, complete	1
42	ADAPTER	Mark X	1	164	122347	RING, retaining, external	1
	164672	695/795/1095		167	122534	SPRING, wave	1
	196178	Mark IV/Mark V		168	24E400	PIN, pop, lock out	1
	159239	Mark VII/Mark X		169	122524	RING, retaining, external	1
99	24B691	REEL, hose, ultra	1	170	278085	HANDLE, swivel	1
129	HOSE, coupled	Mark IV/Mark V		171	122518	PIN	1
	240794	695/795/1095	2	172	15X618	NUT, pin	1
	245225	Mark IV/Mark V	2	173	122542	SPRING	1
	278499	Mark VII/Mark X	2	174	122607	WASHER, flat	2
154	GUN, spray	Mark IV/Mark V		178	189018	SWIVEL	1
	288420	695/795/1095	1	179	BUSHING		
	241705	Mark V/Mark VII Models	1	159841	Mark IV/Mark V/Mark VII		1
	246468	Mark IV Models	1	159239	Mark X		2
	245820	Mark X	1	180	122669	WASHER	1
155	HOSE, whip	Mark X	1	183	122787	CAP	1
	241735	Mark IV, Mark V	1	201	24E016	TUBE, Hose Reel, Pivot	1

# Graco Standard Warranty

Graco warrants all equipment referenced in this document which is manufactured by Graco and bearing its name to be free from defects in material and workmanship on the date of sale to the original purchaser for use. With the exception of any special, extended, or limited warranty published by Graco, Graco will, for a period of twelve months from the date of sale, repair or replace any part of the equipment determined by Graco to be defective. This warranty applies only when the equipment is installed, operated and maintained in accordance with Graco's written recommendations.

This warranty does not cover, and Graco shall not be liable for general wear and tear, or any malfunction, damage or wear caused by faulty installation, misapplication, abrasion, corrosion, inadequate or improper maintenance, negligence, accident, tampering, or substitution of non-Graco component parts. Nor shall Graco be liable for malfunction, damage or wear caused by the incompatibility of Graco equipment with structures, accessories, equipment or materials not supplied by Graco, or the improper design, manufacture, installation, operation or maintenance of structures, accessories, equipment or materials not supplied by Graco.

This warranty is conditioned upon the prepaid return of the equipment claimed to be defective to an authorized Graco distributor for verification of the claimed defect. If the claimed defect is verified, Graco will repair or replace free of charge any defective parts. The equipment will be returned to the original purchaser transportation prepaid. If inspection of the equipment does not disclose any defect in material or workmanship, repairs will be made at a reasonable charge, which charges may include the costs of parts, labor, and transportation.

**THIS WARRANTY IS EXCLUSIVE, AND IS IN LIEU OF ANY OTHER WARRANTIES, EXPRESS OR IMPLIED, INCLUDING BUT NOT LIMITED TO WARRANTY OF MERCHANTABILITY OR WARRANTY OF FITNESS FOR A PARTICULAR PURPOSE.**

Graco's sole obligation and buyer's sole remedy for any breach of warranty shall be as set forth above. The buyer agrees that no other remedy (including, but not limited to, incidental or consequential damages for lost profits, lost sales, injury to person or property, or any other incidental or consequential loss) shall be available. Any action for breach of warranty must be brought within two (2) years of the date of sale.

**GRACO MAKES NO WARRANTY, AND DISCLAIMS ALL IMPLIED WARRANTIES OF MERCHANTABILITY AND FITNESS FOR A PARTICULAR PURPOSE, IN CONNECTION WITH ACCESSORIES, EQUIPMENT, MATERIALS OR COMPONENTS SOLD BUT NOT MANUFACTURED BY GRACO.** These items sold, but not manufactured by Graco (such as electric motors, switches, hose, etc.), are subject to the warranty, if any, of their manufacturer. Graco will provide purchaser with reasonable assistance in making any claim for breach of these warranties.

In no event will Graco be liable for indirect, incidental, special or consequential damages resulting from Graco supplying equipment hereunder, or the furnishing, performance, or use of any products or other goods sold hereto, whether due to a breach of contract, breach of warranty, the negligence of Graco, or otherwise.

## **FOR GRACO CANADA CUSTOMERS**

The Parties acknowledge that they have required that the present document, as well as all documents, notices and legal proceedings entered into, given or instituted pursuant hereto or relating directly or indirectly hereto, be drawn up in English. Les parties reconnaissent avoir convenu que la rédaction du présente document sera en Anglais, ainsi que tous documents, avis et procédures judiciaires exécutés, donnés ou intentés, à la suite de ou en rapport, directement ou indirectement, avec les procédures concernées.

# Graco Information

For the latest information about Graco products, visit [www.graco.com](http://www.graco.com).

For patent information, see [www.graco.com/patents](http://www.graco.com/patents).

**TO PLACE AN ORDER**, contact your Graco distributor or call 1-800-690-2894 to identify the nearest distributor.

*All written and visual data contained in this document reflects the latest product information available at the time of publication. Graco reserves the right to make changes at any time without notice.*

Original instructions. This manual contains English. MM 333281

**Graco Headquarters:** Minneapolis

**International Offices:** Belgium, China, Japan, Korea

**GRACO INC. AND SUBSIDIARIES • P.O. BOX 1441 • MINNEAPOLIS MN 55440-1441 • USA**

**Copyright 2014, Graco Inc. All Graco manufacturing locations are registered to ISO 9001.**

[www.graco.com](http://www.graco.com)

Revision D, April 2016