

# 5 Gallon Feed Connection Kit

334009A

EN

**For connecting a 5 gallon feed kit to an HFR system.  
For professional use only. Not for use in explosive atmospheres.**



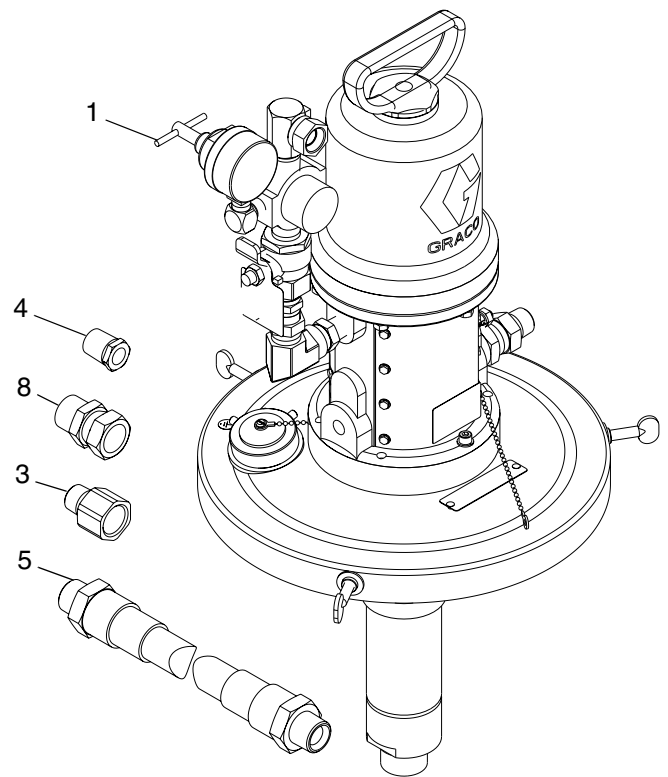
### Important Safety Instructions

Read all warnings and instructions in this manual and in the HFR™ Setup-Operation manual. Save all instructions.

## 24E399

Item	Part No.	Description	Qty
1	902278	PUMP, supply, Monark® 5:1	1
2*	246483	KIT, supply, air	1
3	15U426	BUSHING, reducing	1
4	100206	BUSHING, pipe	1
5	24C656	HOSE, coupled, 10 ft	1
8	112268	SWIVEL, union	1

\* Item not shown. For additional details, refer to Air Supply Kits, Instructions-Parts manual.





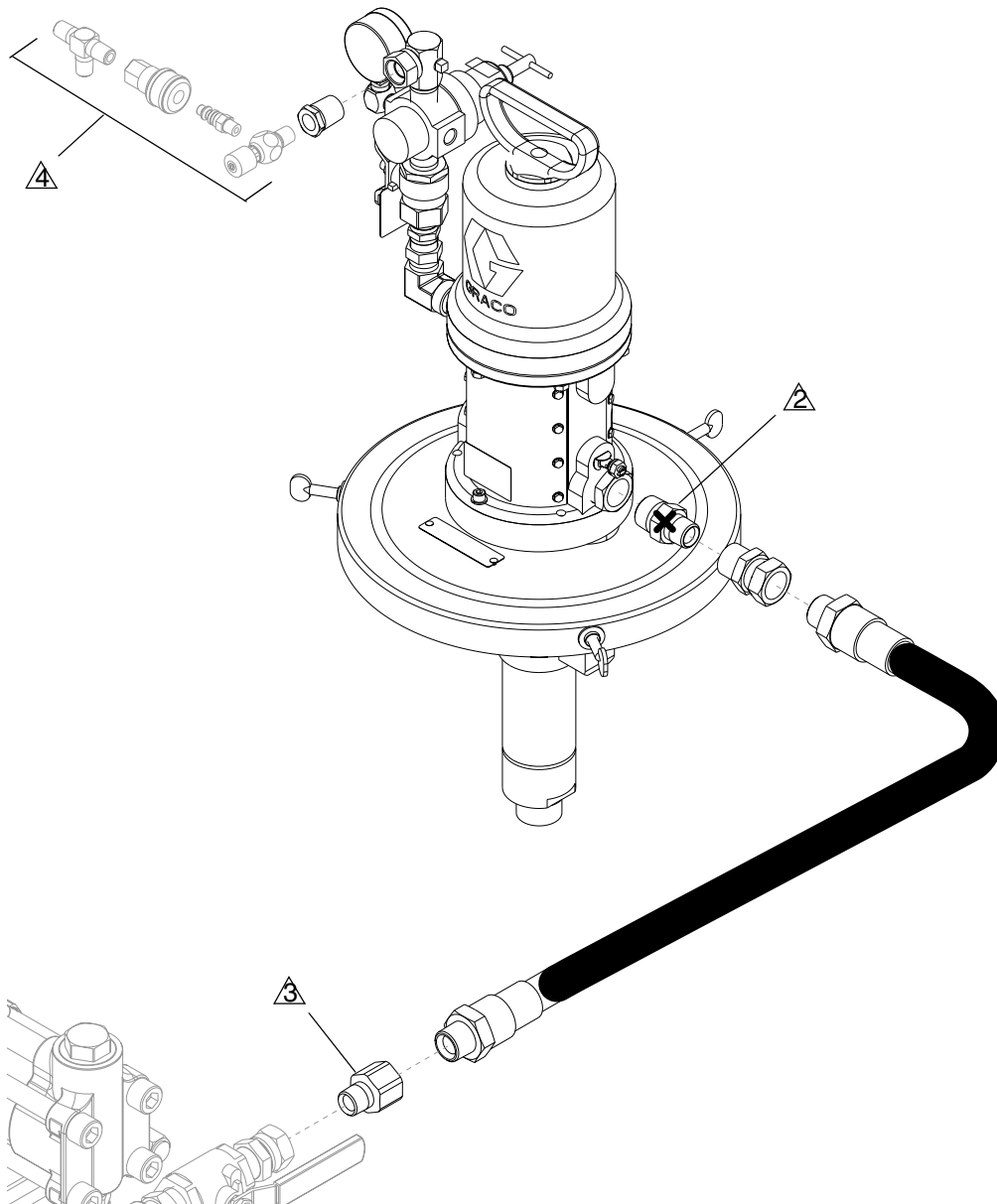
To avoid injury, perform the **Shutdown** procedure found within the HFR Setup-Operation manual before installation.

1. Apply thread sealant to all threads. Tighten all fittings to prevent leaking.

② Remove standard fitting.

③ Fitting may not be required for some installations.

④ Fittings are for reference only and are found within kit 246483. Refer to the Air Supply Kits, Instructions-Parts manual for further installation details.



All written and visual data contained in this document reflects the latest product information available at the time of publication. Graco reserves the right to make changes at any time without notice.

For patent information, see [www.graco.com/patents](http://www.graco.com/patents).

Original instructions. This manual contains English. MM 334009

**Graco Headquarters:** Minneapolis

**International Offices:** Belgium, China, Japan, Korea

**GRACO INC. AND SUBSIDIARIES • P.O. BOX 1441 • MINNEAPOLIS MN 55440-1441 • USA**

**Copyright 2014, Graco Inc. All Graco manufacturing locations are registered to ISO 9001.**

[www.graco.com](http://www.graco.com)