

Diesel Exhaust Fluid (DEF) Suction Kit

334204B

EN

Used to evacuate diesel exhaust fluid from a large IBC Tote or a 55 gallon drum used in a DEF System. For professional use only.

Part No.

- 24W140 - EPV, 330 IBC Tote
- 24W141 - EPV, 275 IBC Tote
- 24W142 - EPV, 55 gallon drum
- 24W143 - RSV, 330 IBC Tote
- 24W144 - RSV, 275 IBC Tote
- 24W145 - RSV - 55 gallon drum



Important Safety Instructions

Read all warnings and instructions in this manual and in the Diesel Exhaust Fluid (DEF) System Instruction manual. Save all instructions.

Parts

Part	Ref. No.	Description	Qty
1	17C907	COUPLER, included in Kit 24W140, 24W141, 24W142	1
	17C908	COUPLER, included in Kit 24W143, 24W144, 24W145	
2	127634	CONTAINER VALVE, included in Kit 24W140, 24W141, 24W142	1
	127637	CONTAINER VALVE, included in Kit 24W143, 24W144, 24W145	1
3	127635	DOWN TUBE, included in Kit 24W140	1
	127794	DOWN TUBE, included in Kit 24W141	1
	127793	DOWN TUBE, included in Kit 24W142	1
	127639	DOWN TUBE, included in Kit 24W143	1
	127796	DOWN TUBE, included in Kit 24W144	1
	127795	DOWN TUBE, included in Kit 24W145	1

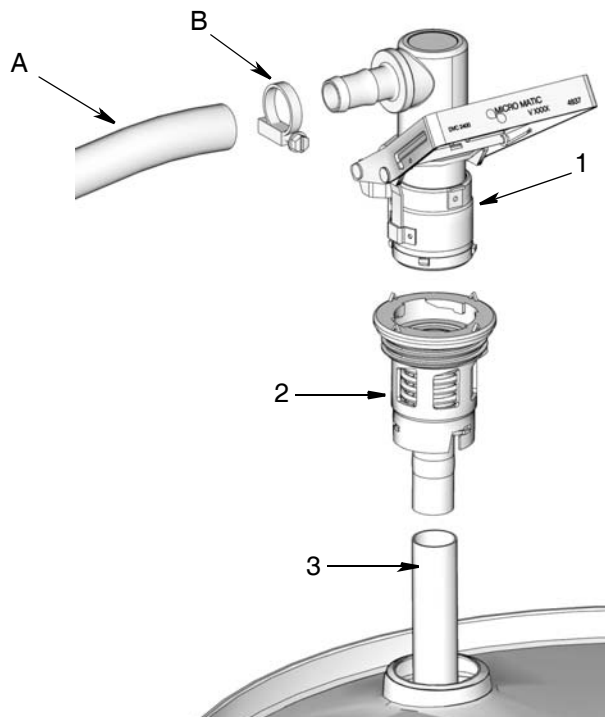


FIG. 1: RSV Model Shown

Installation Instructions

Technical Data

See Figure 1.

NOTE: The down tube is designed to allow for full evacuation of the container. It may bend slightly when installed.

1. Connect the down tube (3) to the container valve (2).
2. Insert the down tube (3) into drum or tote.
3. Install the dispense coupler (1) into the container valve (2). Hand tighten the container valve.
4. Connect the pump suction hose (A) to hose barb on the dispense coupler. Use a flat-blade screw driver to tighten hose clamp (B).

Container Valve Thread	2.5 in. x 5 buttress
Dispense Coupler Hose-barb Size	3/4 inch
Wetted Materials	Stainless steel, HDPE, EPDM rubber

All written and visual data contained in this document reflects the latest product information available at the time of publication. Graco reserves the right to make changes at any time without notice.

Original instructions. This manual contains English. MM 334204

Graco Headquarters: Minneapolis

International Offices: Belgium, China, Japan, Korea

GRACO INC. AND SUBSIDIARIES • P.O. BOX 1441 • MINNEAPOLIS MN 55440-1441 • USA

Copyright 2014, Graco Inc. All Graco manufacturing locations are registered to ISO 9001.

www.graco.com
revised September 2014