

Multi-Orifice Linear Streaming Applicator (MOLSA) Head

334230D

EN

**For applying liquid applied sound deadener (LASD) using 1K Ultra-Lite™ dispense valve.
For professional use only.**

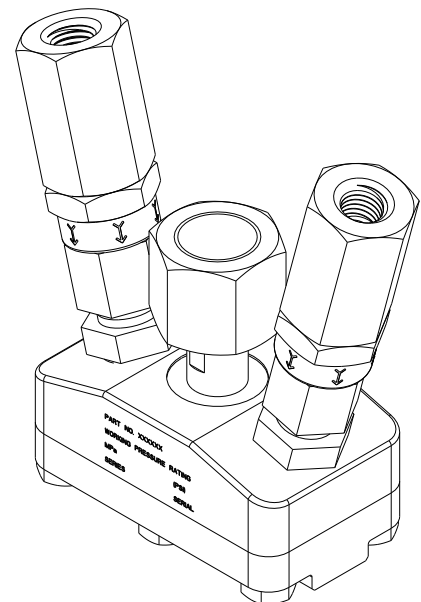
3000 psi (20.7 MPa, 207 bar) Maximum Working Pressure

See page 3 for model information.



Important Safety Instructions

Read all warnings and instructions in this manual and in the 1K Ultra-Lite™, Instructions-Parts List manual. Save all instructions.



24W449 Shown

Contents


Contents	2	Component Identification	4
Related Manuals	2	Installation	5
Warnings	2	Related Parts	5
Models	3	Graco Standard Warranty	6
		Graco Information	6




Related Manuals

Manual	Description
308876	1K Ultra-Lite, Instructions-Parts List

Warnings

The following warnings are for the setup, use, grounding, maintenance, and repair of this equipment. The exclamation point symbol alerts you to a general warning and the hazard symbols refer to procedure-specific risks. When these symbols appear in the body of this manual or on warning labels, refer back to these Warnings. Product-specific hazard symbols and warnings not covered in this section may appear throughout the body of this manual where applicable.


WARNING

  	<p>SKIN INJECTION HAZARD</p> <p>High-pressure fluid from dispensing device, hose leaks, or ruptured components will pierce skin. This may look like just a cut, but it is a serious injury that can result in amputation. Get immediate surgical treatment.</p> <ul style="list-style-type: none"> • Do not point dispensing device at anyone or at any part of the body. • Do not put your hand over the fluid outlet. • Do not stop or deflect leaks with your hand, body, glove, or rag. • Follow the Pressure Relief Procedure when you stop dispensing and before cleaning, checking, or servicing equipment. • Tighten all fluid connections before operating the equipment. • Check hoses and couplings daily. Replace worn or damaged parts immediately.
---	---

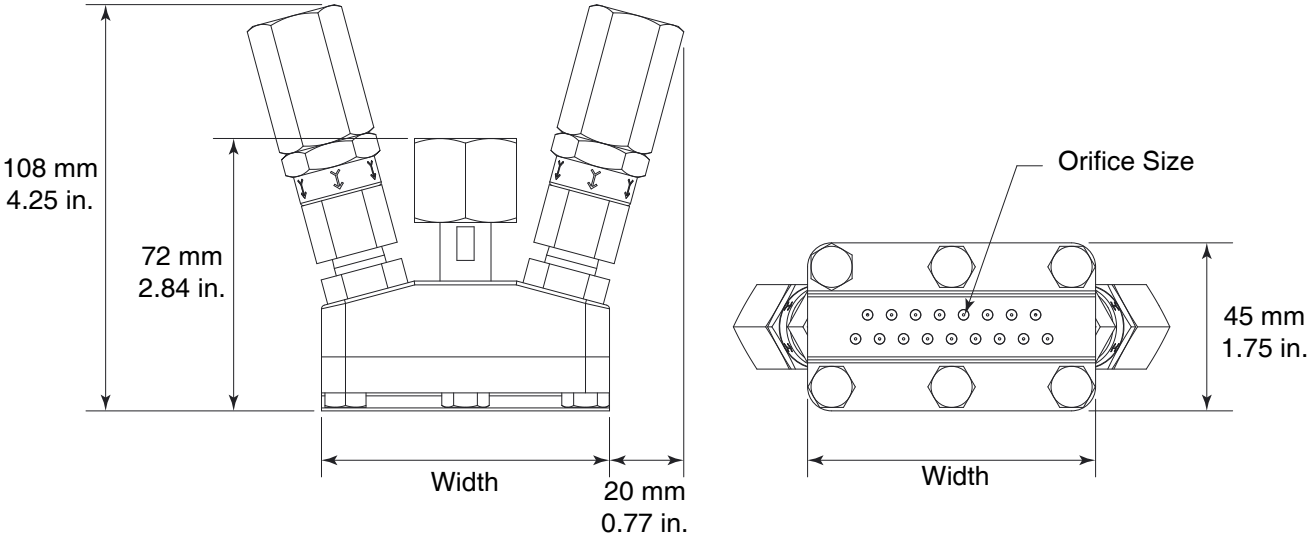
Models

Models with Check Valve Assemblies

		Orifice Size (mm / in.)			
		0.64 / 0.025	0.74 / 0.029	0.89 / 0.035	1.04 / 0.041
Width (mm / in.)	50 / 2	24W449	24W450	24W451	24W452
	75 / 3	24W453	24W454	24W455	24W456
	100 / 4	24W457	24W458	24W459	24W460

Models with Port Plugs

		Orifice Size (mm / in.)			
		0.64 / 0.025	0.74 / 0.029	0.89 / 0.035	1.04 / 0.041
Width (mm / in.)	50 / 2	24X652	24X653	24X654	24X655
	75 / 3	24X656	24X657	24X658	24X659
	100 / 4	24X660	24X661	24X662	24X663



Component Identification

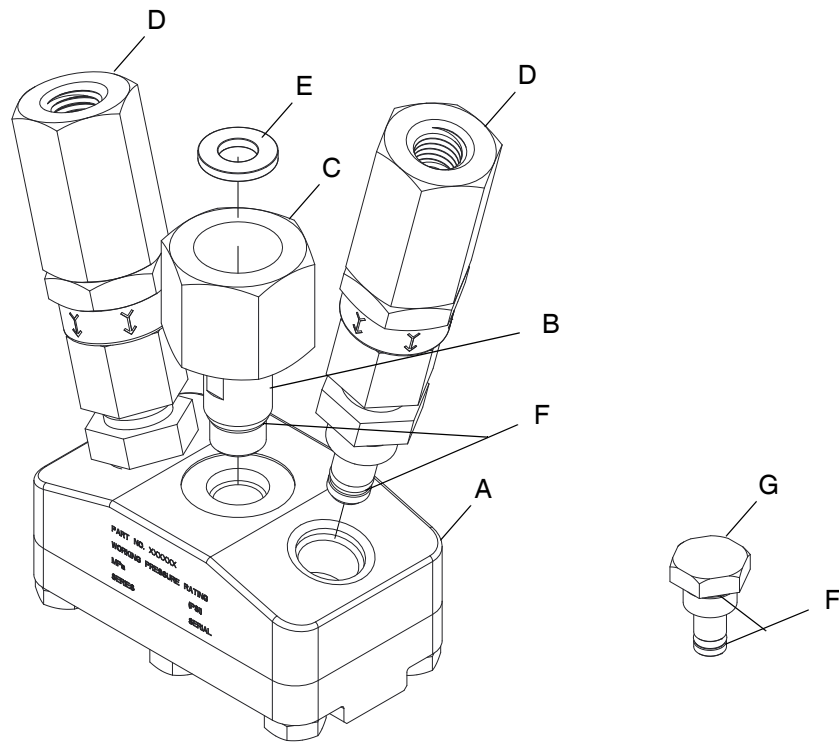


FIG. 1: MOLSA head

Key:

- A Inlet Plate
- B Center Stem
- C Threaded Nut
- D Check Valve Assembly
- E Brass Ring
- F O-Ring
- G Port Plug

Installation



To avoid injury, relieve pressure from the system prior to installing the kit. Refer to the system manual for **Pressure Relief Procedure**.

1. Relieve pressure from the system. Refer to the system manual for **Pressure Relief Procedure**.

NOTE: The kit comes with a 3/4-16 threaded nut (C) already installed. If the system requires a 7/8-14 threaded nut (C) instead, perform all of the following steps. Otherwise, begin at step 5.

2. Remove the center stem (B) from the inlet plate (A) and slide the existing threaded nut (C) off the center stem (B).
3. Install the desired threaded nut (C) by sliding it onto the center stem (B).
4. Lubricate the o-ring (F) on the center stem (B) and install the assembly back onto the inlet plate (A).
5. Ensure the brass washer (E) is seated on the center stem (B).
6. Install the head assembly onto the dispense valve and hand tighten the threaded nut (C).
7. Adjust the head assembly to the desired orientation and tighten the threaded nut (C) completely.
8. Connect the flushing lines to the 1/4 NPT check valve assemblies (D), if installed.

Related Parts

24W535

Contains two check valve assemblies (D).

24W613

Contains two port plugs (G).

17C319

Contains one brass ring (E).

17C322

Contains one center stem (B).

17C316

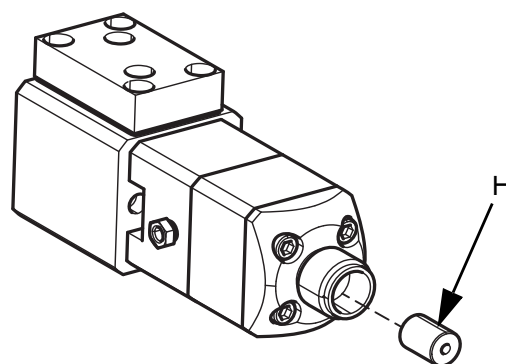
Contains one 3/4-16 threaded nut (C).

17C324

Contains one 7/8-14 threaded nut (C).

17E210

Optional Dispense Valve Orifice (H).



1. To minimize dead space in dispense valve 243666, place (H) in nozzle before attaching MOLSA Head.

Graco Standard Warranty

Graco warrants all equipment referenced in this document which is manufactured by Graco and bearing its name to be free from defects in material and workmanship on the date of sale to the original purchaser for use. With the exception of any special, extended, or limited warranty published by Graco, Graco will, for a period of twelve months from the date of sale, repair or replace any part of the equipment determined by Graco to be defective. This warranty applies only when the equipment is installed, operated and maintained in accordance with Graco's written recommendations.

This warranty does not cover, and Graco shall not be liable for general wear and tear, or any malfunction, damage or wear caused by faulty installation, misapplication, abrasion, corrosion, inadequate or improper maintenance, negligence, accident, tampering, or substitution of non-Graco component parts. Nor shall Graco be liable for malfunction, damage or wear caused by the incompatibility of Graco equipment with structures, accessories, equipment or materials not supplied by Graco, or the improper design, manufacture, installation, operation or maintenance of structures, accessories, equipment or materials not supplied by Graco.

This warranty is conditioned upon the prepaid return of the equipment claimed to be defective to an authorized Graco distributor for verification of the claimed defect. If the claimed defect is verified, Graco will repair or replace free of charge any defective parts. The equipment will be returned to the original purchaser transportation prepaid. If inspection of the equipment does not disclose any defect in material or workmanship, repairs will be made at a reasonable charge, which charges may include the costs of parts, labor, and transportation.

THIS WARRANTY IS EXCLUSIVE, AND IS IN LIEU OF ANY OTHER WARRANTIES, EXPRESS OR IMPLIED, INCLUDING BUT NOT LIMITED TO WARRANTY OF MERCHANTABILITY OR WARRANTY OF FITNESS FOR A PARTICULAR PURPOSE.

Graco's sole obligation and buyer's sole remedy for any breach of warranty shall be as set forth above. The buyer agrees that no other remedy (including, but not limited to, incidental or consequential damages for lost profits, lost sales, injury to person or property, or any other incidental or consequential loss) shall be available. Any action for breach of warranty must be brought within two (2) years of the date of sale.

GRACO MAKES NO WARRANTY, AND DISCLAIMS ALL IMPLIED WARRANTIES OF MERCHANTABILITY AND FITNESS FOR A PARTICULAR PURPOSE, IN CONNECTION WITH ACCESSORIES, EQUIPMENT, MATERIALS OR COMPONENTS SOLD BUT NOT MANUFACTURED BY GRACO. These items sold, but not manufactured by Graco (such as electric motors, switches, hose, etc.), are subject to the warranty, if any, of their manufacturer. Graco will provide purchaser with reasonable assistance in making any claim for breach of these warranties.

In no event will Graco be liable for indirect, incidental, special or consequential damages resulting from Graco supplying equipment hereunder, or the furnishing, performance, or use of any products or other goods sold hereto, whether due to a breach of contract, breach of warranty, the negligence of Graco, or otherwise.

FOR GRACO CANADA CUSTOMERS

The Parties acknowledge that they have required that the present document, as well as all documents, notices and legal proceedings entered into, given or instituted pursuant hereto or relating directly or indirectly hereto, be drawn up in English. Les parties reconnaissent avoir convenu que la rédaction du présente document sera en Anglais, ainsi que tous documents, avis et procédures judiciaires exécutés, donnés ou intentés, à la suite de ou en rapport, directement ou indirectement, avec les procédures concernées.

Graco Information

Sealant and Adhesive Dispensing Equipment

For the latest information about Graco products, visit www.graco.com.

For patent information, see www.graco.com/patents.

TO PLACE AN ORDER, contact your Graco distributor, go to www.graco.com and select "Where to Buy" in the top blue bar, or call to find the nearest distributor.

If calling from the US: 800-746-1334

If calling from outside the US: 0-1-330-966-3000

All written and visual data contained in this document reflects the latest product information available at the time of publication. Graco reserves the right to make changes at any time without notice.

Original instructions. This manual contains English. MM 334230

Graco Headquarters: Minneapolis

International Offices: Belgium, China, Japan, Korea

GRACO INC. AND SUBSIDIARIES • P.O. BOX 1441 • MINNEAPOLIS MN 55440-1441 • USA

Copyright 2015, Graco Inc. All Graco manufacturing locations are registered to ISO 9001.

www.graco.com

Revision D, January 2017