



Metric Air Fitting Adapter Kit

334358A

EN

For replacing air fittings with metric air fittings on InvisiPac[®] systems. For professional use only.

Metric Fitting Adapter Kit, 24W637

For InvisiPac Systems



Important Safety Instructions

Read all warnings and instructions in this manual and in the InvisiPac system manual. Save these instructions.

Installation

1. Shutdown the system. See InvisiPac system manual for instructions.
2. Remove the air fitting in the air solenoid valve on the feed container (S). Replace with fitting (3) for 10 mm tube.

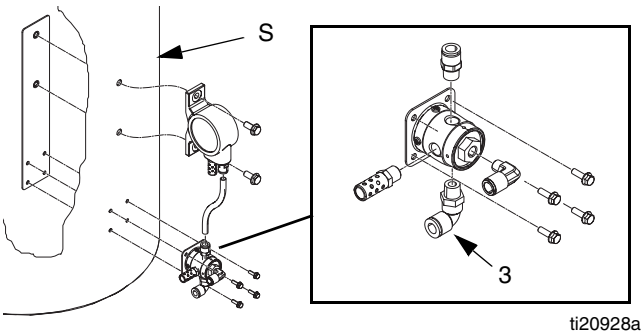


FIG. 1

3. Remove the air fitting on the air manifold for the applicator manifold. Replace with fitting (2) for 10 mm tube.

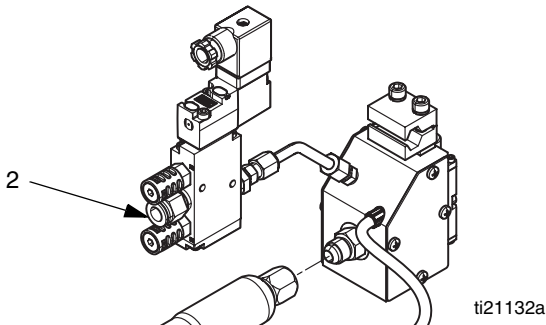


FIG. 2

4. Use fitting (1 or 4) on the end of the air filter for the incoming air to the InvisiPac system.

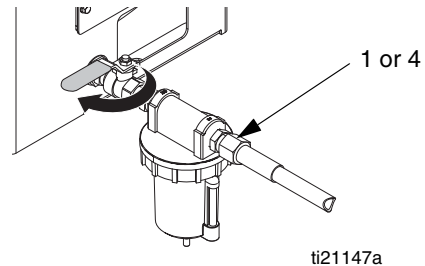


FIG. 3

Parts

Air Metric Fitting Kit 24W637

Ref.	Part	Description	Qty
1	127922	FITTING, 3/8 npt(m) x M18(f)	1
2	127923	FITTING, 1/4 npt(m) x 10 mm tube	1
3	127924	FITTING, 1/4 npt(m) x 10 mm 90° elbow tube	1
4	127925	FITTING, 3/8-18 npt(m) x 3/8-19 bspt (f)	1

Graco Information

For the latest information about InvisiPac, visit www.InvisiPac.com.

For technical assistance or customer service, call toll free: 1-800-458-2133.

All written and visual data contained in this document reflects the latest product information available at the time of publication. Graco reserves the right to make changes at any time without notice.

Original instructions. This manual contains English. MM 334358

Graco Headquarters: Minneapolis
International Offices: Belgium, China, Japan, Korea

GRACO INC. AND SUBSIDIARIES • P.O. BOX 1441 • MINNEAPOLIS MN 55440-1441 • USA

Copyright 2014, Graco Inc. All Graco manufacturing locations are registered to ISO 9001.

www.graco.com
 Revision A, August, 2014