

# Power Cable

334998D

EN

For use with Dyna-Star® HP and HF Pumps in series progressive systems. For professional use only.

## Part No.:

77X545: For Series Progressive System

77X546: For Injector System with Vent Valve Cable



### Important Safety Instructions

Read all warnings and instructions in this manual and in the Dyna-Star HP and HF Pump Manual. Save all instructions.

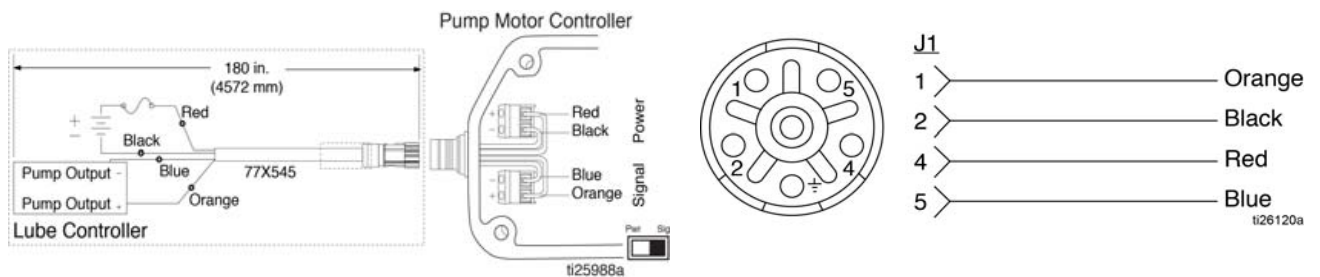


FIG. 1: Model 77X545

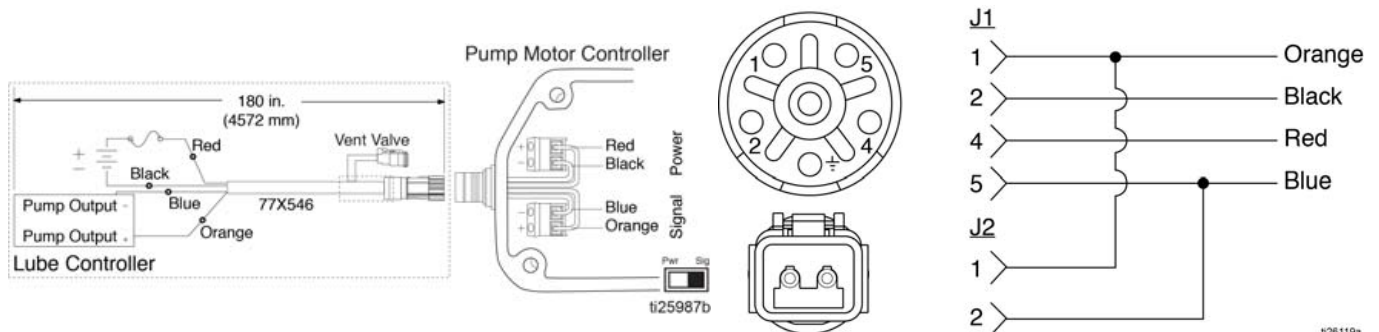
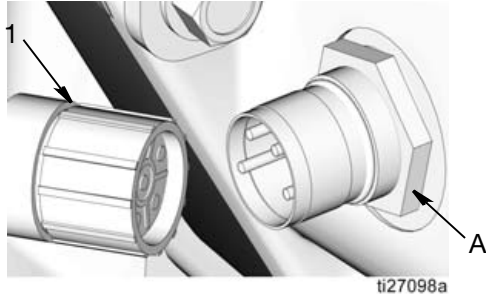


FIG. 2: Model 77X546

# Installation Instructions

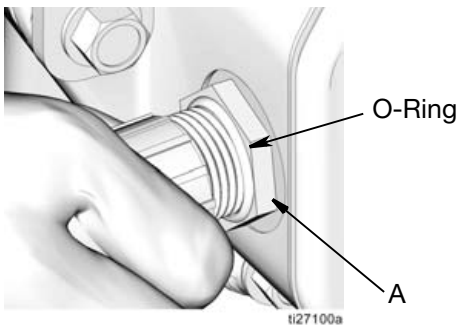
1. Align pins and slot in cable mount connector (A) with hole pattern in power cable (1) to connect power cable to front mount connector (FIG. 3).



**FIG. 3**

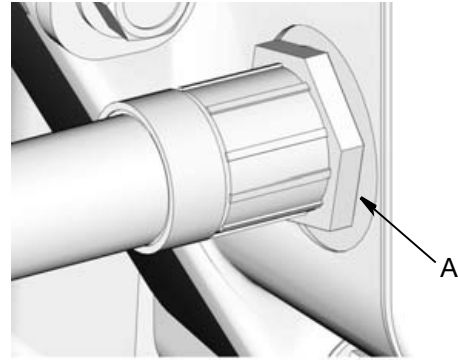
2. Hand-tighten connector until it stops. Then use a grip pliers to turn it 1/2 turn more to tighten it securely and make sure the o-ring is engaged.

**NOTE:** Take care to not damage the o-ring on cable mount connector (A).



**FIG. 4**

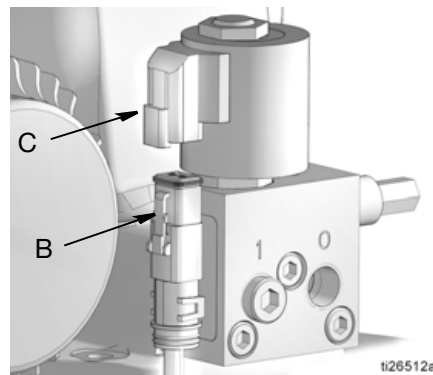
3. After installation, verify cable mount connector (A) has not been loosened (FIG. 5). If loose, tighten securely and torque to 7.4 ft-lbs (10.0 N•m).



**FIG. 5**

## Vent Valve Cable Connection only - Kit 77X546

4. Connect vent valve cable (B) to vent valve connector (C) (FIG. 6).



**FIG. 6**

5. Connect pump to main power supply.
6. Test system to ensure proper operation.

## Technical Data

Temperature Range	-40°F to 149°F (-40°C to 60°C)
IP Rating	IP69K
Rated Current	35A
Voltage	24V

All written and visual data contained in this document reflects the latest product information available at the time of publication. Graco reserves the right to make changes at any time without notice.

For patent information, see [www.graco.com/patents](http://www.graco.com/patents).

Original instructions. This manual contains English. MM 334998

**Graco Headquarters:** Minneapolis  
**International Offices:** Belgium, China, Japan, Korea

**GRACO INC. AND SUBSIDIARIES • P.O. BOX 1441 • MINNEAPOLIS MN 55440-1441 • USA**

**Copyright 2015, Graco Inc. All Graco manufacturing locations are registered to ISO 9001.**

[www.graco.com](http://www.graco.com)

Revised February, 2021