

Illuminated Remote Run Button Kit

3A0528G
EN

Used for remote indication of pump state and to initiate a manual lube operation with a G3 or Electric Grease Jockey pump. For professional use only.

Kit Nos.*:

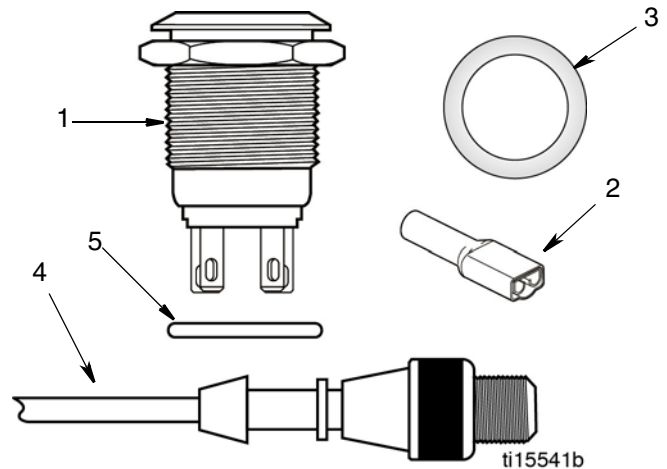
*All Kits rated IP65

Remote Manual Run Kit No.	Voltage	Includes M12 Cable
571030	12 V	No
571031	24 V	No
571032	12 V	Yes
571033	24V	Yes



Important Safety Instructions

Read all warnings and instructions in this manual and the G3 Pump or Electric Grease Jockey instruction manual included with your unit. Save these instructions.

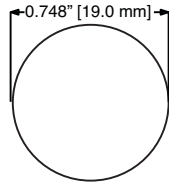


Parts Included in Kits

Item No.	Description	Qty
1	BUTTON, push	1
2	CONNECTOR, quick	4
3	LABEL, run	1
4	HARNESS, wiring, M12 to bare wire, Kits 571032, 571033	1
5	O-RING	1

Instructions

1. Disconnect power source to G3 pump.
2. Drill hole in panel or plate. (See illustration on the right for cutout dimension. Maximum panel thickness is 0.472 in./12.0 mm).



3. Remove lock nut (a) from button (1). Install o-ring (5) (FIG. 1).

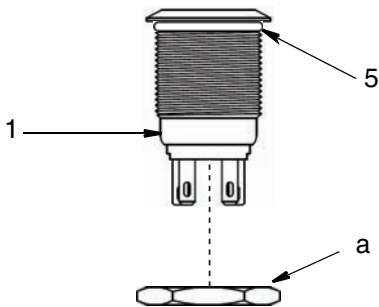


FIG. 1

4. For 5-wire power cable connections: connect the end of wiring harness to the CPC power input. (See wiring diagram, page 4.)

For M-12 connections: connect the end of the wiring harness (4) to connector location on G3 pump identified with symbol to the right. (See wiring diagram, page 4.)



5. Route and secure wiring harness (4) from G3 installation location. Trim excess wire length from wiring harness (4).
6. Strip approximately 1" of harness jacket and 1/4" of conductor back. Install quick connectors (2) to wires (4) using a crimp connector.
7. Insert end of wires (4) from the back side of panel or plate, through lock nut (a) and through hole in panel or plate (c) (FIG. 2). (Note location of o-ring (5) for correct installation.)

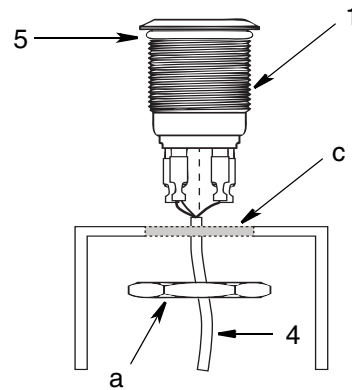


FIG. 2

8. Connect wiring harness (4) to button (1). Refer to wiring diagram page 4.
9. Insert button through hole in panel or plate (b) and hand tighten lock nut (a) to secure button (1) in place.
10. Clean surface around outer edge of button (1). Position label (3) around button and adhere label to panel or plate.

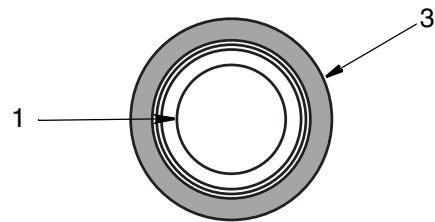


FIG. 3

Testing Installation

M12 Connection

1. Power up G3 and enter Setup Mode by pressing both the UP and DOWN ARROW buttons together for 3 seconds.
2. Button illumination should cycle between green, yellow and red.
3. Press Reset button to exit test.



G3 5-Wire CPC Power Cable

1. Power up G3 and enter Setup Mode by pressing both the UP and DOWN ARROW buttons together for 3 seconds.
2. Button will flash green.
3. Press Reset button exit test.



Testing Manual Run

Press remote run button and verify light function according to the table (below) and unit has entered the lube cycle.

Color Function with Default Advanced Menu Options

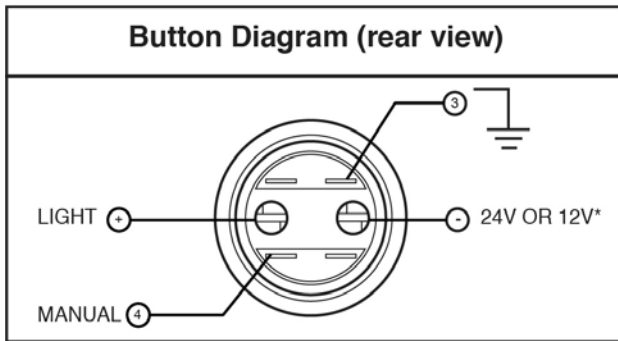
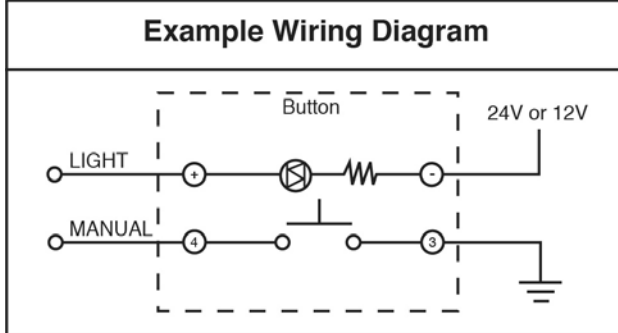
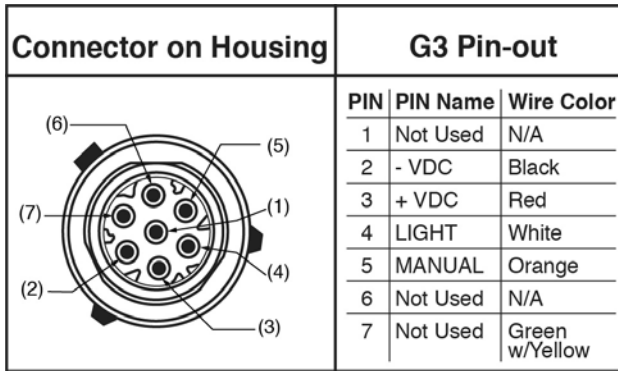
NOTE: For Electric Grease Jockey systems, see instruction manual for color function.

	G3 5-Wire CPC	G3 SP or "08" Option 5-Wire CPC	M-12
Unit in OFF Mode	Off	Off	Off
Unit in ON Mode	Solid	Off	Green
Warning Condition	Green Flashing	Solid	Yellow
Fault Condition	Green Flashing	Flashing	Red

Wiring Diagrams

5-Wire Power Cable Models 571030, 571031

NOTE: For Electric Grease Jockey systems, see instruction manual for Pin-out.



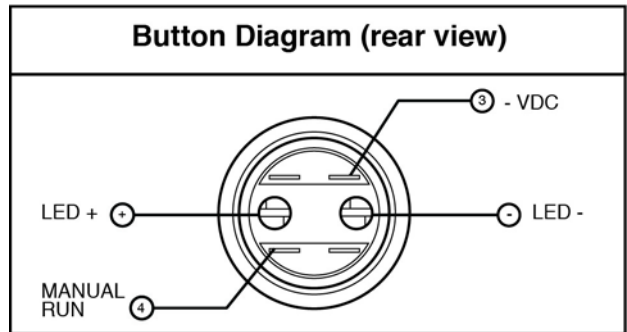
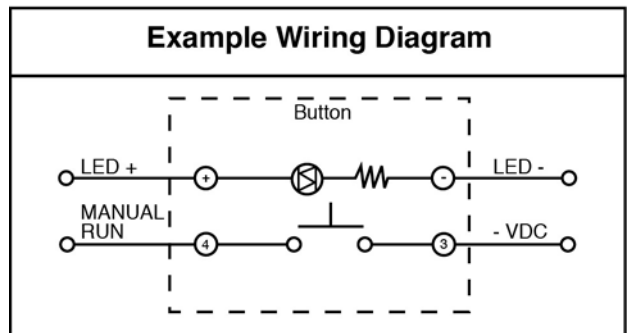
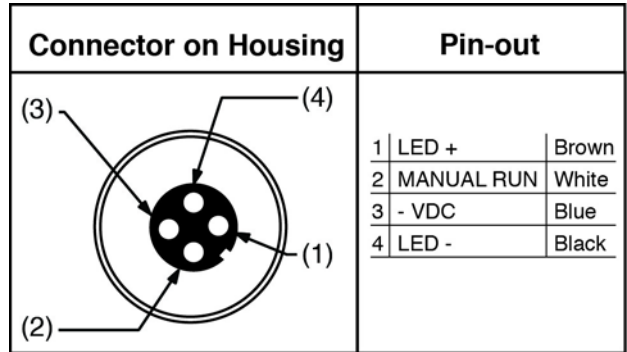
ti28358a

FIG. 4

*Green light indication shown. To obtain red light indication, switch the wires going from the + and - on the button.



M12 Models 571032, 571033



ti28357a

FIG. 5

All written and visual data contained in this document reflects the latest product information available at the time of publication. Graco reserves the right to make changes at any time without notice.

Original instructions. This manual contains English. MM 3A0528

Graco Headquarters: Minneapolis
International Offices: Belgium, China, Japan, Korea
GRACO INC. P.O. BOX 1441 MINNEAPOLIS, MN 55440-1441

Copyright 2010, Graco Inc. is registered to ISO 9001
 www.graco.com
 revised December 2018