

Foot Switch Kit

3A1161B
EN

For use with SmartWare™ Shot Dispense kits. Enables the operator to trigger the dispense valve using a foot pedal. For professional use only.

Not for use in explosive atmospheres.

Part 262530

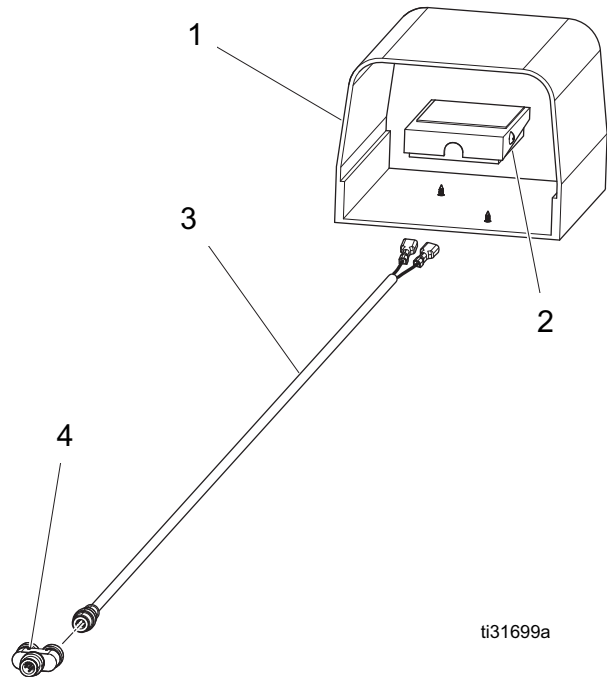


Important Safety Instructions

Read all warnings and instructions in this manual and the SmartWare Shot Dispense Kit Instructions-Parts manual. Save all instructions.

Parts

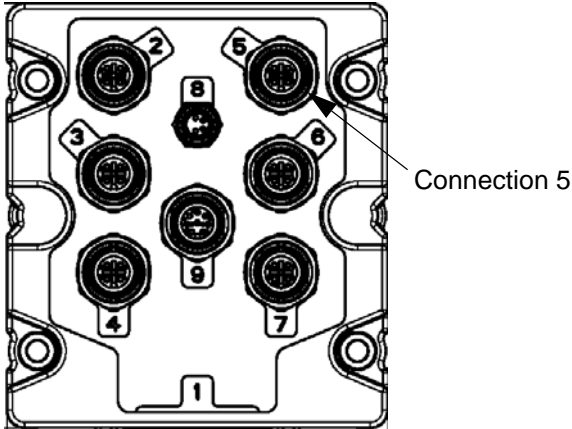
| Ref. | Description | Qty |
|------|---------------------|-----|
| 1 | GUARD, foot switch | 1 |
| 2 | SWITCH, foot | 1 |
| 3 | CABLE, assembly | 1 |
| 4 | CONNECTOR, splitter | 1 |



ti31699a

Installation

1. Remove electronics subassembly cover from the supply system or pump system.
2. Connect the cable (3) from the foot switch assembly to the number 2 side (start/stop) of the Y-adapter. The Y-adapter is connected to connection 5 on the breakout module.



3. Reinstall the electronics subassembly cover.

Operation

See the SmartWare Shot Dispense Kit Instructions-Parts manual for operation instructions.

All written and visual data contained in this document reflects the latest product information available at the time of publication. Graco reserves the right to make changes at any time without notice.

Original instructions. This manual contains English. MM 3A1161

Graco Headquarters: Minneapolis
International Offices: Belgium, China, Japan, Korea
GRACO INC. P.O. BOX 1441 MINNEAPOLIS, MN 55440-1441

Copyright 2010, Graco Inc. is registered to ISO 9001

www.graco.com
Revision B, June 2017