

CE Kit for RoadLazer™ RoadPak™ Line Striping System

3A1658E

EN



Important Safety Instructions

For complete warnings and safety instructions, see RoadLazer™ RoadPak™ Line Striping System manual. Save these instructions.

Models

Ref.	Model Number	Description
1	25M701	1 Pump RoadPak (450 lb. Bead Tank, 5 gpm)
	25M702	1 Pump RoadPak (No Bead Tank, 5 gpm)
2	25M703	2 Pump RoadPak (450 lb. Bead Tank, 5 gpm)
3	25M704	2 Pump RoadPak (1350 lb. Bead Tank, 5 gpm)
	25M705	2 Pump RoadPak (No Bead Tank, 5 gpm)
4	25M706	2 Pump RoadPak HD (1350 lb. Bead Tank, 10 gpm)
	25M707	2 Pump RoadPak HD (No Bead Tank, 10 gpm)
	24G626	Single Hitch Mounting Frame
6	24G627	RoadPak Slide in Mounting Frame
7	25M708	1 Pump RoadPak Gun Arm

Ref.	Model Number	Description
8	25M709	2 Pump RoadPak Gun Arm
	25D932	2 Pump RoadPak Gun Arm (No Bead Tank)
9	25M710	2 Pump RoadPak HD Gun Arm
10	25M711	RoadLazer/RoadPak Control
11	24G633	RoadView Camera System
12	24G634	RoadPak Pointer System
13	25M712	Steerable Carriage
14	25M713	Winch Kit
15	25M716	Seat Kit

Complete Assemblies

Part Number	Description
25D268	RoadPak System Option 1 (1, 6, 7, 10, 12)
25D269	RoadPak System Option 2 (1, 6, 7, 10, 11, 12)
25D270	RoadPak System Option 3 (1, 6, 7, 10, 12, 13, 14, 15)
25D271	RoadPak System Option 4 (1, 6, 7, 10, 11, 12, 13, 14, 15)
25D272	RoadPak System Option 5 (2, 6, 8, 10, 12)
25D273	RoadPak System Option 6 (2, 6, 8, 10, 11, 12)
25D274	RoadPak System Option 7 (2, 6, 8, 10, 12, 13, 14, 15)
25D275	RoadPak System Option 8 (2, 6, 8, 10, 11, 12, 13, 14, 15)

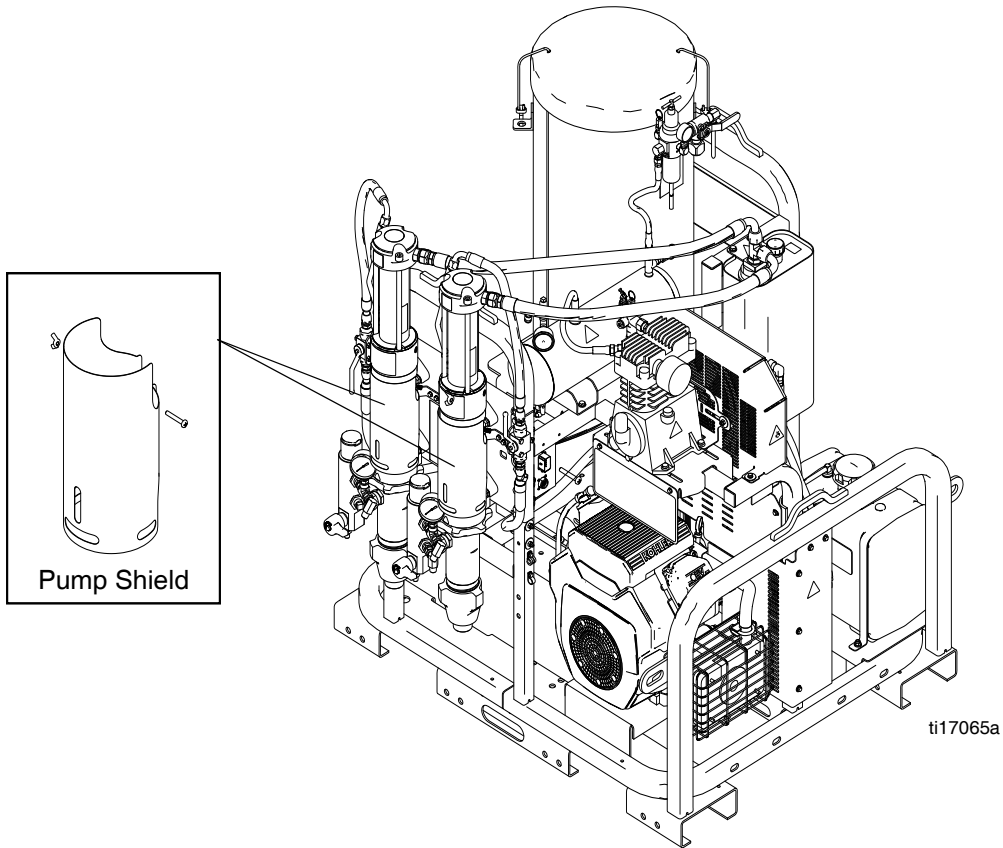
Part Number	Description
25D276	RoadPak System Option 9 (3, 6, 8, 10, 12)
25D277	RoadPak System Option 10 (3, 6, 8, 10, 11, 12)
25D278	RoadPak System Option 11 (3, 6, 8, 10, 12, 13, 14, 15)
25D279	RoadPak System Option 12 (3, 6, 8, 10, 11, 12, 13, 14, 15)
25D280	RoadPak System Option HD1 (4, 6, 9, 10, 12, 14)
25D281	RoadPak System Option HD2 (4, 6, 9, 10, 11, 12, 14)
25D282	RoadPak System Option HD3 (4, 6, 9, 10, 12, 13, 14, 15)
25D283	RoadPak System Option HD4 (4, 6, 9, 10, 11, 12, 13, 14, 15)



To comply with CE directives, the hydraulic pump shield must be installed.

Installation of Pump Shield

1. Install pump shield into pump.
2. Use provided fasteners to secure in place.



All written and visual data contained in this document reflects the latest product information available at the time of publication. Graco reserves the right to make changes at any time without notice.

For patent information, see www.graco.com/patents.

Original instructions. This manual contains English. MM 3A1658

Graco Headquarters: Minneapolis
International Offices: Belgium, China, Japan, Korea

GRACO INC. AND SUBSIDIARIES • P.O. BOX 1441 • MINNEAPOLIS MN 55440-1441 • USA
Copyright 2011, Graco Inc. All Graco manufacturing locations are registered to ISO 9001.

www.graco.com
Revised E, February 2018