

# Instructions

# GREASE JOCKEY



## 8 Point Trailer Kit #24J878

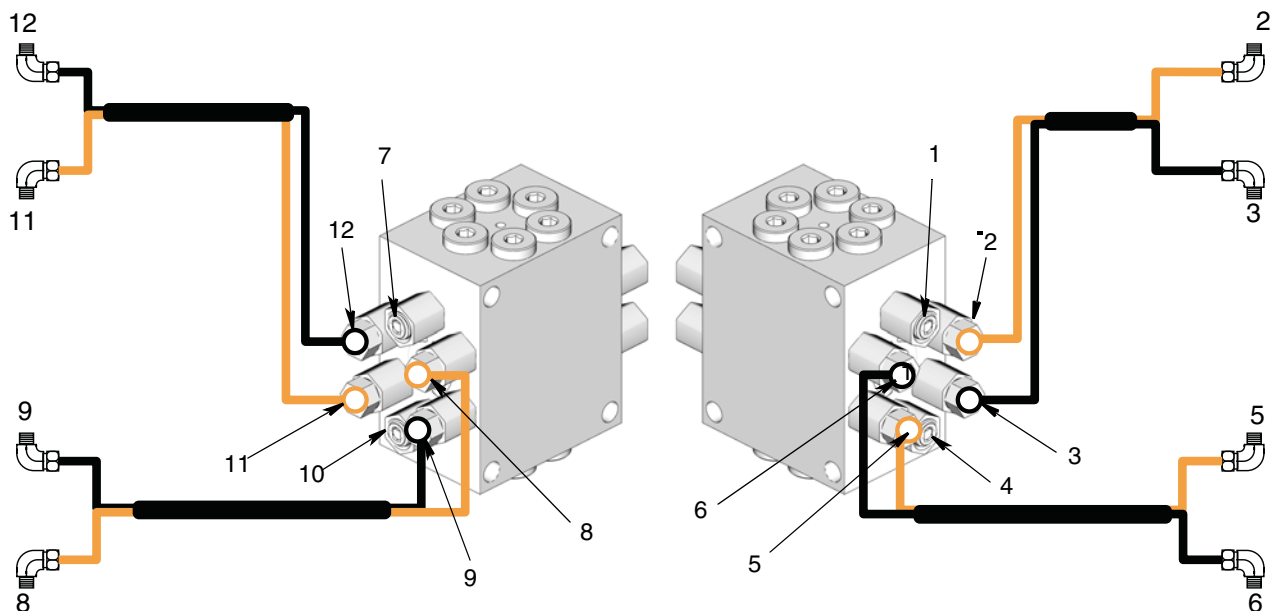


**Important Safety Instructions**  
Read all warnings and instructions in this manual. Save these instructions.

3A1914A  
ENG

### Typical Layout

Point No.	Description	Volume (in ^3)	Tube Color	Bundle & Marking	Recommended Fitting P/N
1	Plug				
2	Slack Adjuster	0.024	Orange	2-Tube Unmarked	556638 Elbow
3	S-Cam	0.012	Black		556638 Elbow
4	Plug				
5	Slack Adjuster	0.024	Orange	2-Tube Unmarked	556638 Elbow
6	S-Cam	0.012	Black		556638 Elbow
7	Plug				
8	Slack Adjuster	0.024	Orange	2-Tube Unmarked	556638 Elbow
9	S-Cam	0.012	Black		556638 Elbow
10	Plug				
11	Slack Adjuster	0.024	Orange	2-Tube Unmarked	556638 Elbow
12	S-Cam	0.012	Black		556638 Elbow



## Installation Instructions

1. Mount valve through to frame.
2. Run each twin line to the brake slack adjuster and “S” cam following the air hoses from the control valve to the brake cams. This will allow enough slack in the line for axle movement.
3. Make sure the lines going to the slack adjusters have enough of a loop to allow movement of the actuator.

## Graco Information and Warranty

Please contact Graco Customer Service for all inquiries regarding service, replacement parts and warranties.  
For the latest information about Graco products, visit [www.graco.com](http://www.graco.com)

**TO PLACE AN ORDER**, contact your Graco distributor or call to identify the nearest distributor.  
**Phone:** 612-623-6928 **or Toll Free:** 1-800-533-9655, **Fax:** 612-378-3590

*All written and visual data contained in this document reflects the latest product information available at the time of publication.  
Graco reserves the right to make changes at any time without notice.*

*This manual contains English. MM 3A1914*

**Graco Headquarters:** Minneapolis

**International Offices:** Belgium, China, Japan, Korea

**GRACO INC. P.O. BOX 1441 MINNEAPOLIS, MN 55440-1441**

Copyright 2011, Graco Inc. is registered to I.S. EN ISO 9001

[www.graco.com](http://www.graco.com)

5/2011