

# Battery Kit

3A3091A

EN



**Replacement battery for use with XDM6, XDM12, and XDI12 Electronic Lubricant Meters.  
For professional use only.**

**Kit No.: 24V555**



### Important Safety Instructions

Read all warnings and instructions in this manual and the XDM6 and XDM12 Dispense Valve manual or XDI12 Electronic Lubricant Meter manual. Save all instructions.

				
<b>SKIN INJECTION HAZARD</b> High-pressure fluid from meters, a dispensing device, hose leaks, or ruptured components will pierce skin. This may look like just a cut, but it is a serious injury that can result in amputation. <b>Get immediate surgical treatment.</b> <ul style="list-style-type: none"><li>• Do not put your hand over the fluid outlet.</li><li>• Do not stop or deflect leaks with your hand, body, glove, or rag.</li><li>• <b>Relieve pressure</b> when you stop dispensing and before cleaning, checking, or servicing equipment.</li><li>• Tighten all fluid connections before operating the equipment.</li></ul>				

# Battery Installation

The reference numbers used in the following instructions refer to the Meter Parts, page 3.

Always use new parts included in the kit.

1. **Relieve pressure.** See pressure relief procedure included in your dispense valve instruction manual.
2. Attach the disposable grounding wrist strap (8) (not shown, included in the kit) to your wrist. Connect the adhesive-backed copper foil at the other end of the strap to any convenient electrical ground, such as the grounding screw or metal case of a grounded electrical outlet.
3. Lift the bottom edge of the black cover (1) away from the meter (2), and pull the cover off. Remove and discard the screws (6) and the large o-ring (4). Dispose of the screws and o-ring according to all standards for disposal.
4. Insert a small, flat screwdriver or similar tool between the battery and the positive terminal (battery retainer) in the electronic control to remove the battery as shown in FIG. 1.

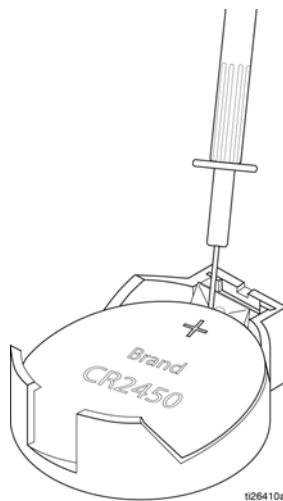


FIG. 1

5. Insert the new battery with the negative side of the battery position to the bottom of the battery holder. Press the battery firmly down until the positive terminal clips above the battery. See FIG. 2 (Battery Side View) to identify the negative and positive sides of the battery.

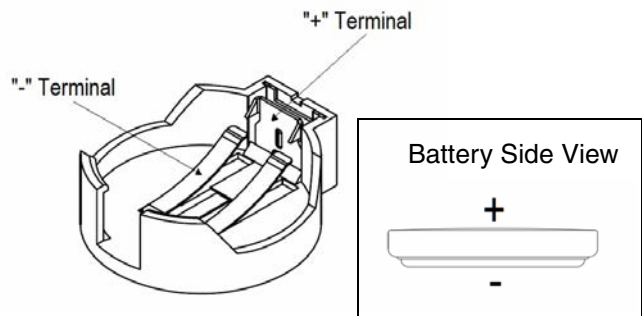


FIG. 2

6. Install the new large o-ring (4) over the lip on the top of the metering unit (2). Align the notch on the side of the electronic control (3) with the notch on the side of the metering unit (2).
7. Install new screws (6). Tighten the screws in a diagonal pattern to 3 in-lbs to 5 in-lbs (0.34 N.m to 0.57 N.m) until a complete seal is obtained as shown in the DETAIL in FIG. 3, page 3.
8. Install the cover so the rolled-in edges are parallel with the inlet fluid passage of the metering unit.

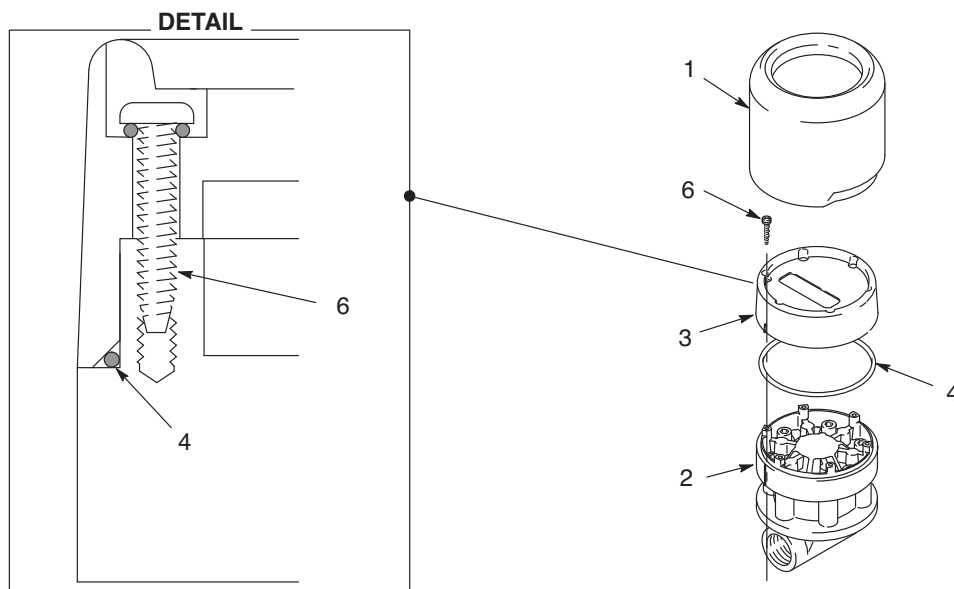
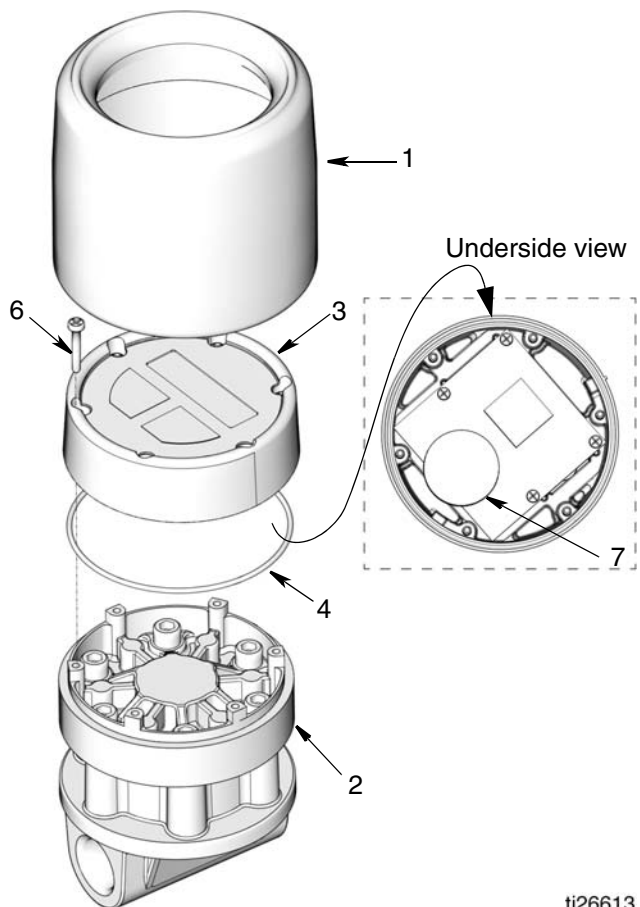


FIG. 3

### Meter Parts



Ref.	Description	Qty.
1	GUARD, impact	1
2	METERING UNIT, gal- lon/quart/pint/liter	1
3	ELECTRONIC CONTROL	1
4*	O-RING	1
6*	SCREW	6
7*	BATTERY	1
8*	STRAP, grounding, disposable (not shown)	1

\*These parts are included in Battery Kit 24V555.

### Technical Data

..... Battery	
Battery Specifications	Panasonic® CR2450 3V

Panasonic® is a registered trademark of  
Panasonic Corporation.

ti26613

## Graco Information

For the latest information about Graco products, visit [www.graco.com](http://www.graco.com).

For patent information, see [www.graco.com/patents](http://www.graco.com/patents).

**TO PLACE AN ORDER**, contact your Graco distributor or call to identify the nearest distributor.

**Phone:** 612-623-6928 **or Toll Free:** 1-800-533-9655, **Fax:** 612-378-3590

*All written and visual data contained in this document reflects the latest product information available at the time of publication.  
Graco reserves the right to make changes at any time without notice.*

Original instructions. This manual contains English. MM XXXXXX

**Graco Headquarters:** Minneapolis

**International Offices:** Belgium, China, Japan, Korea

**GRACO INC. AND SUBSIDIARIES • P.O. BOX 1441 • MINNEAPOLIS MN 55440-1441 • USA**  
**Copyright 2014, Graco Inc. All Graco manufacturing locations are registered to ISO 9001.**

[www.graco.com](http://www.graco.com)

Revision A, June 2015