

Standard Remote Mounting Kit

3A3474B

EN

For remotely mounting the air solenoid valve on InvisiPac® GM100™ Plug-Free Hot Melt Applicator.

Kit No. 24X049



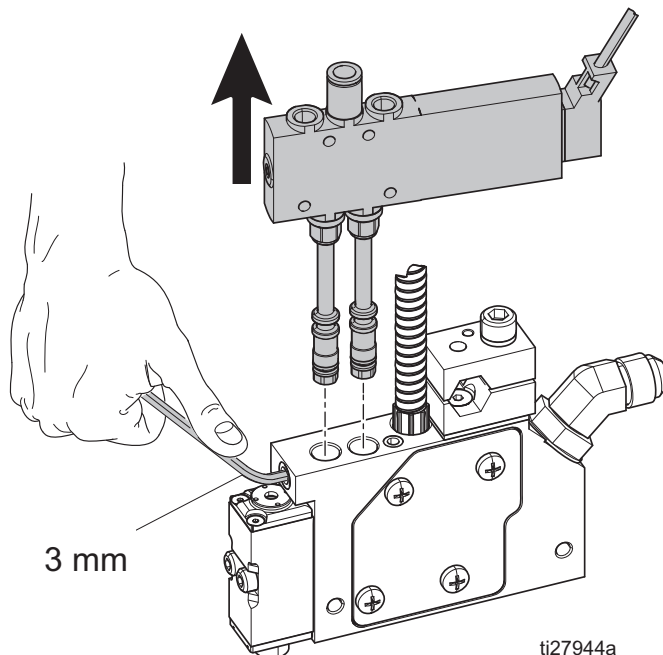
Important Safety Instructions

Read all warnings and instructions in the GM100 Instructions manual. Save all instructions.

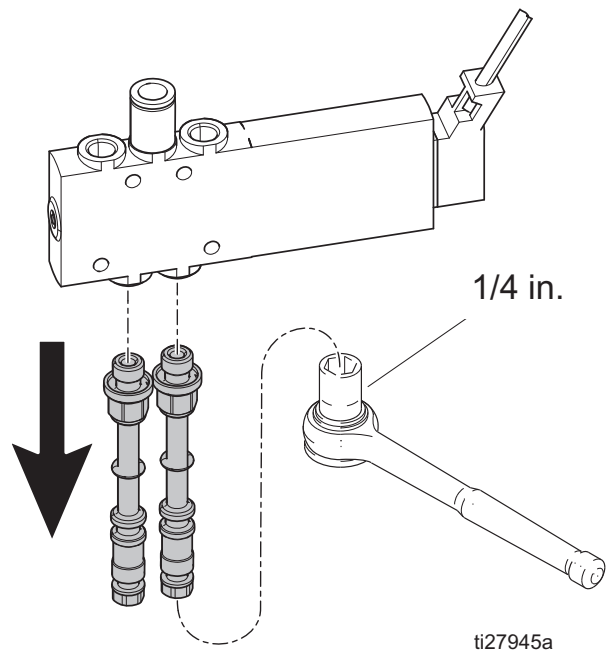
Use this kit to remotely mount the GM100 air solenoid valve. Kit includes a plastic coupling block to allow air tubing to be routed from remotely mounted solenoid to GM100 standoff tubes.

NOTE: Performance is decreased as tube length increases.

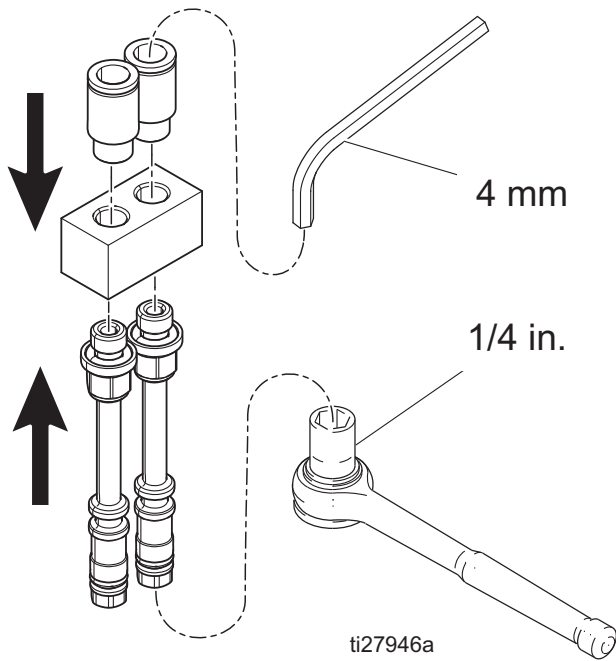
Step 1: Loosen set screw with a 3 mm allen wrench and pull solenoid out of manifold.



Step 2: Remove standoff tubes from the solenoid using a 1/4 inch socket wrench.

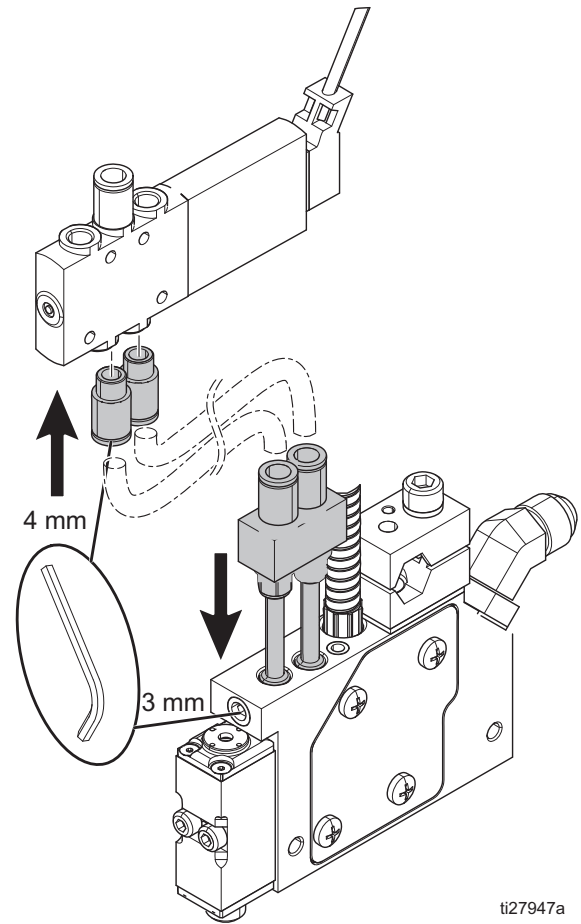


Step 3: Assemble standoff tubes into plastic coupling block using a 1/4 inch socket wrench. Assemble tube fittings into the block using 4 mm allen wrench.



Step 4: Push tubes into manifold and tighten set screw using a 3 mm allen wrench.

Step 5: Assemble tube fittings into solenoid using a 4 mm allen wrench.



Graco Information

Sealant and Adhesive Dispensing Equipment

For the latest information about Graco products, visit www.graco.com.

For patent information, see www.graco.com/patents.

TO PLACE AN ORDER, contact your Graco distributor, go to www.graco.com and select “Where to Buy” in the top blue bar, or call to find the nearest distributor.

If calling from the US: 800-746-1334

If calling from outside the US: 0-1-330-966-3000

All written and visual data contained in this document reflects the latest product information available at the time of publication. Graco reserves the right to make changes at any time without notice.

Original instructions. This manual contains English. MM 3A3474

Graco Headquarters: Minneapolis

International Offices: Belgium, China, Japan, Korea

GRACO INC. AND SUBSIDIARIES • P.O. BOX 1441 • MINNEAPOLIS MN 55440-1441 • USA
Copyright 2016, Graco Inc. All Graco manufacturing locations are registered to ISO 9001.

www.graco.com

Revision B, February 2017